

Table of Contents

Academic Calendars	4
General Information	5-9
Undergraduate Admissions	10-22
Student Services Information	23-37
FinancialAid	33-35
Degrees	38-65
Certificates	66-78
Employability Certificates	79-82
Other Programs	82-83
Lower Division Course	
Descriptions	84-124
GraduateandUpperDivision	125-126
Governing Bodies, Staff and	
Core Faculty	127-129
Index	130-132
Campus Map	133

Directions for Correspondence

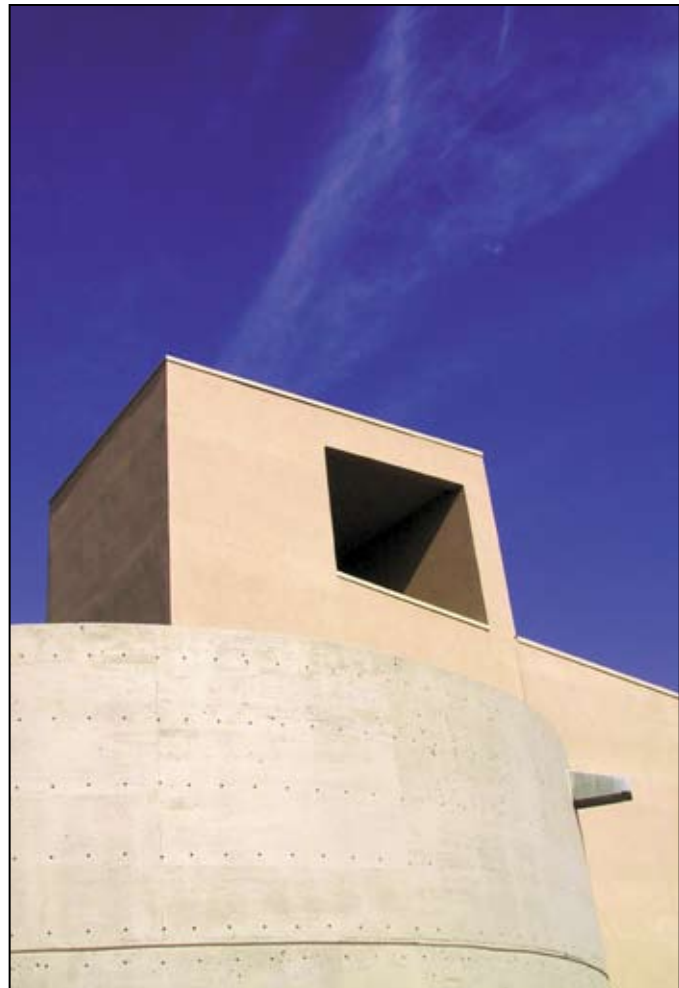
Please address any correspondence to a specific department or individual as follows:

UNM-Los Alamos
(Department and name of person)
4000 University Drive

Art and photography:

The photograph of White Rock Canyon on page 7 is by Los Alamos Monitor Photographer Gary Warren and is used with his permission.

Other photographs used in this catalog are by the staff of UNM-Los Alamos.



Course Schedules are available in hard copy on campus, at many locations around northern New Mexico, and on-line at

www.la.unm.edu

Cell phone use is prohibited in classrooms. Turn off your phone during class!

Welcome UNM-LA Students and Community

On behalf of the staff and faculty, it is a pleasure to welcome our students and the community to UNM-Los Alamos (UNM-LA) for the fall 2008 Semester. UNM-LA has been serving the northern New Mexico Community since 1980. Registration is currently underway and fall semester classes begin August 25. The Fall Schedule for both credit and Community Education courses is available on-line at www.la.unm.edu on campus, and at many locations throughout Los Alamos, Rio Arriba and Sandoval counties.

As a branch campus of the largest university in the state, we are able to offer our students many benefits including a tuition rate that is one-fourth the cost of tuition at the Albuquerque campus for lower division courses and lower than other associate degree granting colleges in northern New Mexico. We also offer small class sizes for effective teaching-learning; and affordable student housing close to campus.

Our qualified and dedicated faculty place teaching as their top priority. Because of our proximity to Los Alamos National Laboratory, we are able to attract exceptionally talented individuals to teach in many disciplines at our campus. Our professional staff place student service, support and satisfaction as their top priorities. We believe the factors that contribute to the quality of your learning experience extend beyond the classroom.

UNM-LA offers coursework and programs geared to those seeking an associate degree or certificate in many exciting fields of study. New and planned degree programs and concentrations at UNM-Los Alamos include: marketing, finance, web technologies, and public safety. Through coordination with the Bachelors and Graduate Programs division of the University of New Mexico, students can complete a bachelor's or a master's degree in selected disciplines at UNM-LA or take courses applicable to other UNM degree programs.

As a community resource and asset, throughout the year we host lectures, art shows, concerts and other special events for the enjoyment of our students and the communities we serve. A number of special events are planned this academic year and they will be announced on our website www.la.unm.edu. The UNM LA staff and faculty are committed to providing the educational experience and services essential to your success at here and beyond. We understand the role and value of high quality education and training to the residents of northern New Mexico and we are ready continue delivering the education and training expected by the diverse populations and employers throughout northern New Mexico.

We welcome you to our campus community and wish you great success in the coming academic year. We continually strive to make UNM-LA the **best place** for you to realize your educational goals and enhance your skills. Working together, we will continue to make UNM-LA a vibrant and exciting place for all of us to learn, advance, and contribute to the vitality of our local communities and economy.

I look forward to seeing you on campus!

Cedric D. Page

Cedric D. Page, Ph.D.
Executive Director

Policies

Applicability

These policies apply to outreach, admission, extracurricular activities, housing, facilities, access to course offerings, counseling and testing, financial assistance and employment.

Anti-Harassment

It is the policy of the institution to prevent and eliminate forms of unlawful harassment in employment and educational settings. The University prohibits harassment of employees by supervisors or co-workers and harassment of students on the basis of race, color, religion, national origin, physical or mental disability, age, sex, sexual preference, ancestry, medical condition or other protected status. The University makes special efforts to eliminate both overt and subtle forms of sexual harassment.

Equal Education Policy

The University of New Mexico is committed to providing equal educational opportunity and forbids unlawful discrimination and/or harassment on the

basis of race, color, religion, national origin, physical or mental disability, age, sex, sexual preference, ancestry, or medical condition. Equal educational opportunity includes: admission, recruitment, academic endeavors, extracurricular programs and activities, housing, health and insurance services and athletics. In keeping with this policy of equal educational opportunity, the University is committed to creating and maintaining an atmosphere free from all forms of harassment.

ADA Compliance and Reasonable Accommodation

The University of New Mexico-Los Alamos is committed to the recognition and the proactive pursuit of compliance with the Americans with Disabilities Act of 1990 (ADA). The University makes reasonable accommodation to the religious observances, national origin practices of a student and to the known physical or mental limitations of a qualified student, unless such accommodations have the end result of fundamentally altering a program or service or placing an undue hardship on

the operation of the University. Qualified students with disabilities should contact Student Services for information regarding accommodations in the academic and/or employment setting. If you have a special need and require an auxiliary aide and/or service, please contact Student Services at 505-661-4692.

Non-Discrimination

If you believe you have been discriminated against and/or harassed on the basis of your race, religion, color, national origin, physical or mental disability, age, sex, sexual preference, ancestry, or medical condition, you should contact the Director of Student Services who serves as the Coordinator for the Americans with Disabilities Act of 1990 (prohibiting discrimination on the basis of disability) and Title IX of the Education Amendments Act of 1972 (prohibiting discrimination on the basis of sex in federally funded programs). The Director can be reached at 505-661-4692. You can also access information on the OEO web site at <http://oedm.od.nih.gov/>



Academic Calendar Year

2008 FALL SEMESTER

(Dates subject to change.)

Registration for new students begins	April 21
Instruction begins	August 25
Late registration closes	August 25
End of second week;	
last day to add courses or change sections	September 19
Labor Day, holiday	September 1
End of fourth week;	
last day to change grading options	September 19
End of sixth week;	
last day to drop a course without a grade	October 3
Columbus Day (campus open, no classes)	October 13
Fall Break (no classes)	October 16-17
(Upper Division and Graduate Programs Only)	
Midsemester (eighth week)	October 18
End of 12th week; last day to withdraw	
without approval of Dean of Instruction	November 14
Veteran's Day (campus open, no classes)	November 12
Thanksgiving, holiday	November 27-30
Withdrawal deadline; last day to withdraw from a course	
with approval of Dean of instruction	December 12
Last day of instruction	December 8
Final examination period	December 15-20
Last day for report of removal	
of Incomplete grade	December 19
Semester ends	December 20

2009 SPRING SEMESTER

(Dates subject to change.)

Registration for new students begins	November 15
Martin Luther King Jr. Day, holiday	January 19
Instruction begins	January 20
Late registration closes	January 30
End of fourth week;	
last day to change grading options	February 13
End of sixth week;	
last day to drop a course without a grade	February 27
Midsemester (eighth week)	March 14
Spring Break (no classes, campus open)	March 16-23
(Upper Division and Graduate Programs Only)	
Spring Break (no classes, campus open) ..	March 30 - April 3
(Lower Division Only)	
End of 12th week; last day to withdraw	
without approval of Dean of Instruction.....	April 17
Withdrawal deadline; last day to withdraw from a course	
with approval of Dean of Instruction	May 8
Last day of instruction	May 9
Final examination period	May 11-16
Last day for report of	
removal of Incomplete grade	May 15
Semester ends	May 16

2009 SUMMER SEMESTER

Tenatative start date June 8, 2009

Dates will be added as soon as they become available.

UNM-Los Alamos General Information

Role and Function of UNM Branch Colleges

The University of New Mexico has established branch colleges to serve the citizens of New Mexico more fully and to provide the highest quality of education throughout the state for students in different locations pursuing post-secondary education. Branch colleges respond specifically to the unique needs and multicultural backgrounds of the citizens in the respective communities they serve by offering transfer programs that prepare students for upper-division entry into colleges and universities. In addition the branches offer associate degree and certificate programs. Branch colleges use resources in the community as well as make educational resources available. Therefore, they also function as an integral part of the community.

The five-member elected UNM-Los Alamos Advisory Board serves as an advisory body to the College and to the University of New Mexico Board of Regents. It approves the annual budget and can call for elections. UNM-Los Alamos continues to benefit from a strong, supportive, and dedicated Advisory Board which is well informed, responsible, and committed to the College and its future.

The branch colleges of the University of New Mexico are considered fully integrated component colleges. They are committed to serving the needs of their respective communities as comprehensive community colleges offering a variety of preparatory academic, career, and community service programs. The branch colleges pledge themselves to protect the quality and integrity of all academic curricula. UNM Albuquerque campus pledges its resources, whenever appropriate and practical, to the fulfillment of the varied missions of the branches. The Provost/Vice President for Academic Affairs at the University of New Mexico, has responsibility for the operation of the branch colleges. From a clear understanding of its role and function, UNM-Los Alamos has developed the following mission statement.

Mission of UNM-Los Alamos

The mission of the University of New Mexico-Los Alamos is to provide high quality instructional programs and support services to the residents of the communities it serves. To fulfill its mission, UNM-Los Alamos has established the following goals:

1. To offer diversified, high-quality educational programs;
 - Academic Courses, Degrees, and Transfer Curricula
 - Technical and Occupational Programs
 - Developmental and Basic Skills Programs
 - Community Education
 - Adult Basic Education
 - Specialized Training
 - Extended Web, ITV, and Off-Site Instruction
2. To provide high-quality support services that promote student access and success
3. To maintain a highly qualified and diversified faculty and staff

4. To serve as a community resource
5. To seek and establish cooperative partnerships
6. To ensure access to state-of-the-art technologies

Educational Programs

The University of New Mexico-Los Alamos offers a range of educational programs as defined in the Mission Statement and institutional goals. These programs constitute the heart of the institution.

Academic transfer programs for credit provide the first two years of high quality university education. UNM-Los Alamos is authorized to offer any freshman or sophomore course that appears in the UNM Albuquerque campus catalog for which an appropriate instructor and facilities can be obtained. In addition, UNM-Los Alamos may design courses that respond to the needs of its students. Most of these courses carry full UNM residence credit as though they were taken in Albuquerque. Thus students enrolled in academic transfer courses may complete most of and, in many cases, all of the first two years of a baccalaureate degree at UNM-Los Alamos before continuing their studies at UNM or other four-year institutions.

Associate of Arts and Associate of Science degrees are offered in the following fields: Early Childhood Multicultural Education (Bernalillo Site Only), Environmental Science, Liberal Arts, Pre-Business Administration, Pre-Professional Elementary Education (Bernalillo Site Only), Pre-Engineering, Science, Southwest Studies and Studio Art.

Certificates are available in Early Childhood Multicultural Education (Bernalillo Site Only), Southwest Studies, and Studio Art. These programs are considered to be transfer programs because all or most of the courses required transfer to other four-year colleges and universities.

Occupational and technical programs are offered for academic credit. Associate of Applied Science Degrees in Business, Office Communications and Technology, Computer Science, Digital Media Arts, Electro Mechanical Technology, Accounting, Network Administration, Technical Support, and Web Technologies are available.

Certificates are offered in Office Communications and Technology, Business, Computer Science, Digital Media Arts, Electro-Mechanical Technology, Accounting, Materials Science Technology, Network Administration, Technical Support, and Web Technologies. A statement of completion is available for the Child Development Associate Credential Preparation Program (CDA). UNM-Los Alamos also offers Bachelor's Degrees on this campus in Computer Science, University Studies, Chemical-Nuclear Engineering, Electrical and Computer Engineering and Mechanical Engineering. Masters program courses are offered in Computer Science, Public Administration, Educational Leadership and Engineering.

An Associate Degree in General Studies provides students the opportunity to develop programs of study not available

through other UNM-Los Alamos programs. The courses selected may reflect either specialized or broad patterns of educational experience.

Introductory Studies credit courses are offered in math, English, reading comprehension, and academics. The Introductory Studies courses are components of the College Cornerstone program, which is designed to help students strengthen their areas of academic competencies, as well as ensure successful transition into college. Adult Basic Education and English as a Second Language courses are also offered for students who are not adequately prepared for college-level work. The Tutorial Center provides tutorial services for 100- and 200-level classes to all students on campus and services for students with special needs.

Operating Agreement and Funding

UNM-Los Alamos was established under the provisions of the Branch College Act, New Mexico Statutes of 1978, implemented in an operating agreement between the Los Alamos School Board and the Regents of the University of New Mexico. The New Mexico Department of Higher Education, a thirteen-member board appointed by the Governor, is responsible for oversight of higher education in New Mexico. The UNM-Los Alamos Advisory Board serves as the Advisory Board to the UNM Board of Regents. This Advisory Board approves an annual budget for UNM-Los Alamos and calls elections for local tax levies and capital outlay general obligation bonds for UNM-Los Alamos.

The University of New Mexico retains administrative and academic oversight of UNM-Los Alamos, and the Executive Director of UNM-Los Alamos reports to the Vice President for Rio Rancho and Branch Academic Affairs and the Provost/Vice President for Academic Affairs.

Funding for UNM-Los Alamos comes directly from state appropriations and tax levies, from special grants, and from tuition and fees paid by students.

Accreditation

As a Branch College of the University of New Mexico, UNM-Los Alamos is fully accredited by The Higher Learning Commission of the North Central Association of Colleges and Schools.

Student Outcomes Assessment

Student Outcomes Assessment is an essential measure of the institution's effectiveness in achieving its goals as outlined in the UNM-Los Alamos Mission Statement. It is an ongoing process intended to measure student academic achievement and adjust and adopt courses and programs as needed. Faculty have the primary ownership and responsibility for the development, implementation, and monitoring as part of the College Assessment Review Committee (CARC). Specific competencies at the course/program level and the assessment tools to measure identified competencies are continuously being developed and continuously being implemented.

History of UNM-Los Alamos

The University of New Mexico began its presence in Los Alamos in 1956 with the establishment of the UNM-Los Alamos Center for Graduate Studies. The Graduate Center has been in continuous operation since that time. It has a distinguished history of offering graduate degrees in scientific, engineering, management, and health-related fields. The first significant UNM undergraduate offering in Los Alamos began with the establishment of the University of New Mexico Residence Center in Los Alamos in the fall of 1970. In 1973, the University of New Mexico Northern New Mexico Branch College came into existence, with Los Alamos as one of its campuses. In 1977, as a result of Legislative action, the UNM Northern Branch College was absorbed into Northern New Mexico Community College (NNMCC).

In 1980, after a local referendum and Board of Educational Finance and legislative approval, the Los Alamos Branch Community College Campus of the University of New Mexico was founded. It began operations on July 1, 1980, in the Little Valley School on Orange Street. The new Director assumed his duties at that time, and several key NNMCC employees were transferred to the UNM-Los Alamos Branch College, which subsequently assumed the informal title of UNM-Los Alamos. In October 1980, the campus moved from the Little Valley School to its present site. In January 1981, the staff of UNM-Los Alamos assumed, under a contractual arrangement, the daily operations of the UNM-Los Alamos Center for Graduate Studies from the Training Office of the Los Alamos National Laboratory. The Director of the Graduate Center moved his office to UNM-Los Alamos. During 1982-1983, the facilities were remodeled and expanded and the new UNM-Los Alamos campus was dedicated by then Governor of New Mexico, Toney Anaya, on January 6, 1984.

The campus facilities were further expanded in 1987 to include a fifth classroom building. During 1988-89, an institutional self-study was conducted and an accreditation visit took place in May 1989 as part of the University of New Mexico decennial accreditation review. In 1988, the Los Alamos School Board approved additional space in the Mesa Complex for use by UNM-Los Alamos. In 1996, an extension housing the Learning Center, the Tutorial Center, and the Adult Basic Education Program was added to the administration building. Additional classroom, laboratory and office space was obtained in 1997 by negotiation with the Los Alamos Public Schools. In 2000 the expanded and renovated Student Center building was opened. It includes a Student Center with a food service area, classrooms, media room and lecture room. In addition the Student Services support areas including admissions and registration, advisement, and financial aid are located in the lower level of this building.

Location

Los Alamos, home of the University of New Mexico-Los Alamos campus, is a community of approximately 18,000. The town is located on the pinon, juniper, and ponderosa-covered red mesas of the Pajarito Plateau at an elevation of 7,300 feet. The Jemez Mountains provide a backdrop for the community that looks east across the Rio Grande Valley to the majestic Sangre de Cristo Mountains.

The setting is ideal for the outdoor enthusiast. There are nearby locations for downhill and cross-country skiing and ice skating in the winter. Summer activities include hiking, picnicking, horseback riding, backpacking, and camping, together with fishing and river rafting.

Three renowned races are held in Los Alamos each year: the High Altitude Mini-Marathon, the Tour de Los Alamos Bicycle Race, and the Triathlon.

In April 1988, the Larry R. Walkup Aquatic Center opened its doors to the citizens of Los Alamos and surrounding area. This facility is open to the public and houses an Olympic-sized swimming pool.

There are year-round musical and theatrical events in Los Alamos and numerous other cultural attractions to choose from in Santa Fe, 30 miles away, and in Albuquerque, a 90-mile drive from Los Alamos. There are also year-round events at the nearby pueblos of San Ildefonso, Santa Clara, San Juan, Pojoaque, Tesuque, Nambe, and Jemez.

Located within 15 miles of Los Alamos is the world-famous Bandelier National Monument. The park, home of Native American cliff dwellings as well as many other ancient treasures, is open year-round.

Students at UNM-Los Alamos are fortunate to be able to draw on the rich tri-cultural heritage of the area and to explore all the area has to offer in terms of history, geology, and archaeology. In addition, UNM-Los Alamos students can take advantage of the outstanding collections of Mesa Public Library and the J. Robert Oppenheimer Study Center at Los Alamos National Laboratory, within two miles of the UNM-Los Alamos campus.

UNM-Los Alamos Faculty

The faculty of UNM-Los Alamos is predominately part-time. Many of the faculty enjoy international reputations in their fields and all are extremely well qualified. Most UNM-Los Alamos faculty are subject to UNM approval through the various departments at the UNM Albuquerque campus.

About one-third of the UNM-Los Alamos faculty consists of a core of continuing faculty. Core Faculty members, in addition to teaching, hold regular office hours, provide academic advisement, and participate in a variety of committee work and special projects. Invited Faculty are encouraged, but not required, to participate in advisement, hold office hours, and attend various faculty development workshops throughout the academic year.

Curriculum Coordinators for Developmental and General Studies, Fine Arts, Communications, Math, Science, Applied Technologies, Computer Science, Information Technology, and Business are responsible for the coordination of faculty



and instructional issues within each curriculum area.

Two Division Heads, one Math, Science, Engineering, Communications and Fine Arts and one for Business, Computer Science, Information Technology and General Studies advise the administration on curriculum and academic personnel matters and, with the Dean of Instruction, monitor the quality of teaching through classroom visits. Other means of class evaluation include a midsemester evaluation survey and a UNM computerized student evaluation survey at the end of the semester.

UNM-Los Alamos Facilities

The facilities at UNM-Los Alamos encompass computer, general science and electronics laboratories, a photography darkroom and art studios, together with general classrooms, woodworking area and a machine shop/welding area. The new Student Services Building, which opened in the summer of 2000, includes the Career Resources Center, UNM-LA Bookstore, Admissions, Registration, Financial Aid, Academic Advisement, Student Government, a lecture hall and general classrooms. The Administration Building (Building 1) includes general offices, the Library, and Tutorial Center.

Parking facilities are available in the campus parking lot east of campus. Access to these facilities is available directly from

Diamond Drive. There is additional parking south of the campus in the High School's "Topper" lot located next to Sullivan Field and also in a shared parking lot west of the campus.

Handicapped parking and access are available at UNM-Los Alamos. Handicapped parking is located on the cul-de-sac north of the campus at the end of 40th Street and in front of Building 1. Most of the facilities at UNM-Los Alamos and at the Los Alamos High School are handicapped accessible.

Student Housing

The University of New Mexico-Los Alamos Student Housing consists of 64 efficiency apartments. Student Housing provides an excellent and affordable alternative for students. In addition, living in student housing allows students the opportunity to become independent, responsible and familiar with different lifestyles.

All of the units include a primary living/sleeping area, kitchenette, three-quarter and/or full bath, and a walk-in closet. Each unit is furnished with a sofa, table, chairs, desk, dresser and bed. Electricity, gas, water, garbage service and basic cable television are included at no extra cost.

All apartments have individually controlled thermostats. Pets and smoking are not permitted. Student Housing is located on 9th street, a three-minute drive east of UNM-Los Alamos. The apartments are centrally located to The Family YMCA, shopping and dining areas, the Bradbury Science Museum, and the central business district. To be eligible, students must be enrolled in a minimum of three credit hours in a degree-seeking program or in a student-related program with Los Alamos National Laboratory. Rates range from \$200-\$400 per month depending on length of contract and student status and are subject to changes. Rates are subject to adjustment with appropriate notice. Applications for Student Housing should be accompanied by a \$50 non-refundable processing fee. The total deposit is \$200 is due and payable when you accept the offered assignment. Tours of the housing facility are available through the UNM-LA Student Housing Office. For more information, call 662-0333 or (800) 894-5919, ext. 333 (toll-free in NM).

Bookstore

The UNM-Los Alamos Campus Bookstore is located on the upper level of the Student Services Building. Normal business hours are 8:00 a.m. to 5 p.m. Monday through Friday. The telephone number is 505-662-0337.

The Bookstore stocks textbooks listed as "REQUIRED" in a course syllabus and limited quantities of textbooks listed as "OPTIONAL" for lower division classes, community education classes and live Bachelor and Graduate Program classes. The Bookstore will not carry textbooks required for ITV or Distance Education classes. "USED" textbooks are usually available.

The bookstore conducts a textbook buy-back for three days at the end of the fall and spring semester and two days at the end of the summer semester. Contact the store for specific details. Texts purchased for Short Term and Community Education classes may only be returned for refund twenty-four hours after the beginning of the class. It is the responsibility

of the employee to pay for all purchases.

A complete listing of required texts is available in the bookstore, and on the UNM-LA website homepage. Click the bookstore link.

The UNM-LA Campus Bookstore Refund Policy allows for customers to return textbooks, for a 100% refund, until the end of the second week of instruction during the Fall and Spring semesters and the end of the first week for the Summer session. Books must be in original condition and accompanied by the receipt issued at the time of purchase.

The Campus Bookstore conducts a textbook buy back three times a year. Three and one-half days at the end of the Fall and Spring semester and two days at the end of the Summer Session. Exact dates and times will be posted around campus via signage, the UNM-LA website and through instructor classroom notification.

The Campus Bookstore carries a wide variety of drinks and snacks for your pleasure. We also carry a selection of UNM Lobo apparel. The Bookstore staff looks forward to serving you.

Library

The mission of the UNM-Los Alamos Library is to provide for the information needs of its students, faculty, and staff, and to contribute to the information resource base of the communities that it serves, through its resources (both traditional and electronic), services, staff, equipment, and facility.

The Library, located in the Learning Center (east wing of Building 1), is a technologically advanced facility with 10 public computing stations providing access to the Microsoft Office Suite, the Internet, LIBROS (the online catalog), a variety of academic databases and other online reference sources, online collections of other libraries, and the Local Area Network server. The Library houses a growing collection of books, periodicals, pamphlets, maps, instructional videos, and sound recordings.

The Library provides a pleasant, inviting setting for study, research, and the exchange of ideas. The main floor of the Library offers a variety of comfortable study spaces appropriately dispersed throughout the facility, including carrels, study tables, three group study rooms, computing stations, a periodical browsing area, and a reference resource area complete with additional carrels and a photocopier. A loft, upstairs from the main floor of the library, is a pleasant, airy space, which houses a distinctive Southwest Collection and provides a quiet area for study and instruction. The library team is friendly, knowledgeable, and very dedicated to helping library patrons with their information needs. Changing art and book exhibits in the Library contribute to an aesthetically pleasing environment for all library visitors.

For more information, link to our website through the UNM-LA Homepage at: <http://www.la.unm.edu>.

Adult Learning Center

The Adult Learning Center at UNM-Los Alamos provides adult basic education (ABE) services to adults over the age of 18 who wish to obtain their GED, brush up on their

basic literacy skills, improve their workplace skills, or learn English as a second language (ESL). Classes are offered in the areas of reading, writing, math improvement, and ESL. Preparatory instruction for the GED exam is offered in English and in Spanish. Those between the ages of 16 and 18 may enroll with parental permission and proof of high school withdrawal. Preparatory instruction for the TOEFL (Test of English as a Foreign Language) exam is also offered to ESL students who wish to enroll in a US college or university. Books, materials, and individualized tutoring services are free, and there is no charge or fee for ABE classes.

Community Education

UNM–Los Alamos offers non-credit, short-term courses of an informational, educational personal enrichment, and recreational nature. Whoever you want to be, whatever you want to do, whatever your career goals are, we do our best to help you get there! Courses are practical, time-sensitive, and user-friendly. Community Education has language programs, computer training, health education courses, in addition to many other areas of learning. CEU's are available for many courses.

Community Education also offers programs for children during the summer, including Children's College, a "campus day-camp" for first- through sixth-graders and a "Writing Workshop" for 3rd through 6th graders.

Customized, Specialized and Technical Training

The Customized Training Program at UNM–Los Alamos works with area businesses to design low-cost, specialized training that meets employers' needs and fits work schedules. Utilizing faculty resources from local, state and national pools, UNM–Los Alamos can design, develop, and deliver classes and certificate programs for the unique training needs of business or nonprofit/government organization at on-site or on campus to assist with identified training needs. Custom training is a cost-effective, targeted way to increase organizational effectiveness and enhance job skills and performance. The Customized Training Program also offers training through the New Mexico State Work Force Training Initiative.

Small Business Development Center

The UNM–Los Alamos Small Business Development Center (SBDC) is part of a national and statewide network that provides training and counseling services for small and start-up businesses. The UNM–Los Alamos SBDC offers no-charge business assistance to any existing or aspiring small business in the community, including not-for-profits. Business counseling and most of the training classes occur off campus at the Los Alamos Small Business Center. Counseling sessions are also held in the Jemez Springs area. The SBDC currently serves about 180-200 counseling clients each year. Typical areas of assistance include business start-up and registration, planning and business planning development, customer

service, marketing, business financing, incorporation, proposal preparation, employee issues, business computing, record keeping, regulatory issues, quality management, productivity issues and trade name searches. A student can register online at www.nmsbdc.org To schedule a confidential appointment with a SBDC Business Counselor, call 662-001.

Contract Training

UNM–Los Alamos also offers contract training opportunities for northern New Mexico businesses and organizations. Through a training contract, the Los Alamos National Laboratory (LANL) and the University of New Mexico–Los Alamos are currently working together to provide state-of-the-art, up-to-date computer training to all lab and contract employees of LANL. This training contract provides desktop application training to increase these employees with job proficiency and career advancement opportunities. If any department at LANL identifies a particular need in their department that is not served by current course offerings (see website: <http://dat.la.unm.edu>) UNM–LA is able to work with them to design a course that meets their department's specific needs. LANL employees or contract employees for LANL, can call for further information at 662-0346 or register online at <http://dat.la.unm.edu>.

College Cornerstone Program

The College Cornerstone program is designed to serve students by helping to strengthen their academic competencies as well as helping to ensure their successful transition into college-level degree programs. The program offers course placement evaluation for students and Introductory Studies credit courses to help students enter college at the most appropriate level. Both the Tutorial Center and the Library work in conjunction with College Cornerstone faculty members to help provide educational opportunities and academic strategies for student success.



Admissions

Admission

The University of New Mexico-Los Alamos admits all eligible applicants from New Mexico, other states and foreign countries. Because of the great diversity of the University's students, special application and admission procedures have been created to meet the needs of the different populations. UNM-Los Alamos serves recent high school graduates, transfer students, non-degree students, returning and nontraditional students.

Admission procedures and requirements vary in each of the four categories listed below. (Any applicant under the age of 16 must be reviewed by a special admissions committee.)

1. Beginning Freshmen (no previous college work).
2. Transfer Students (last attended another institution).
3. Readmit students (students who stopped attending for three or more sessions).
4. Non-Degree Students (presently not seeking a degree).
5. Dual Enrollment (high school)

For all categories, the University requires full academic disclosure on the application forms. Any student found guilty of non-disclosure or misrepresentation on an application is subject to disciplinary action, including possible dismissal from the University.

Transcripts and test scores submitted to UNM-Los Alamos for admission become the property of the University and will not be sent elsewhere or returned to the student.

Use of Social Security Numbers

Your Social Security Number will not be the primary University identification number. It will not appear on your UNM Lobo identification card. UNM is required to collect your SSN in order to provide full access to services such as financial aid, to ensure an accurate academic record, and for record-keeping purposes. The University will protect the confidentiality of your SSN as required by law.

Beginning Freshmen

Associate Degree Admissions

A student may enroll in one of several associate degree programs offered by UNM-Los Alamos. The admission requirements for admission in an associate degree are a high school diploma or equivalent. A passing score on the General Education Development (GED) is accepted in lieu of a high school diploma.

Special application and admissions procedures are in place to meet the varying needs of individuals seeking to enroll in educational programs at the institution. The UNM-Los Alamos campus has an open-admission policy. Admission is available to all students.

How to Apply

1. Complete and return an application for admission and a \$10.00 nonrefundable application fee to the Student Services Office. You may also apply over the Web at www.unm.edu.
2. Request that your high school or GED offices send an official transcript directly to the Student Services Office.

When to Apply

We strongly encourage students to apply as early as possible. Applications and fees are applicable for three consecutive sessions only. If you do not take advantage of admission and enroll within that period, a new application is required.

Other Admission Opportunities

Dual Credit Enrollment Option

This “honors” program permits highly qualified high school juniors and seniors to take University of New Mexico-Los Alamos courses while simultaneously attending high school.

Meeting the criteria listed below does not mean that the student will be automatically admitted to the Dual Credit Program. In all cases the final admission determination will be made by the Registrar’s Office.

Important: In all cases, the minimum grade point average for acceptance is 3.00 on a 4.00 scale.

1. The student must be a high school junior or senior.
2. The student must have the certification and unconditional recommendation of the high school as well as proof of parental consent prior to participation.
3. The high school must furnish the Office of Admissions with an official high school transcript.
4. Minimum quantitative requirement (one or more of the guidelines listed below):
 - a. Class rank in top 25%–or–
 - b. Cumulative grade point average of 3.00 or better on a 4.00 scale for 9th, 10th and 11th grades in subjects counted toward graduation–or–
 - c. An ACT composite score of 23 or an SAT total score of 1060.

Important: In all three cases, the minimum grade point average for acceptance is 2.25 on a 4.00 scale. Student selecting options a or c MUST meet this requirement.

5. A student planning to enroll in English 101 must have a minimum score of 19 on the English portion of the ACT or 450 on the verbal portion of the SAT.
6. A student planning to enroll in any math course numbered above MATH 120 must have a minimum score of 22 on the Math portion of the ACT or 510 on the quantitative portion of the SAT.

Students who have attended a non-accredited/non approved high school or home school may apply for Concurrent Enrollment.

Concurrent Enrollment

UNM-Los Alamos offers a concurrent enrollment program for high school students who only want college credit. Concurrent enrollment is available to currently enrolled high school juniors and seniors. Eligible students **must have** a minimum GPA of 2.5 and have the approval of one parent or legal guardian. Students may enroll in no more than seven (7) credit hours per semester or three (3) credit hours during the

summer session. At registration, the student should submit the following items to the Student Services Office for approval:

- Completed Concurrent Enrollment Application
- Completed Concurrent Enrollment recommendation form with signature of student and parent or guardian
- An official high school transcript

Once approved, the student is eligible to register during regular registration periods.

Introductory Studies Courses

Even though a student is qualified for admission to the University, he or she may be required to take one or more Introductory Studies courses. These courses are designed to strengthen a student’s preparation for university-level work in areas of demonstrated weakness. Required enrollment in these courses is based upon established minimum standards of performance on individual tests or ACT or SAT scores and may be a requirement to receive the Bridge to Success Scholarship. Students required to take these courses should do so in their first semester(s) at UNM-Los Alamos and they must do so before they are eligible to proceed to other courses in those areas or to enroll in a degree granting program.



Transferring Students

How to Apply

1. Complete and return an application for admission and a \$10.00 nonrefundable application fee to the Student Services Office. You may also apply online at www.la.unm.edu.
2. Request that each college you have attended send an official transcript directly to the Student Services Office. A summary on one transcript of work at several colleges is not sufficient. If you are applying for the next academic session at UNM-Los Alamos while still enrolled at another institution, the official transcript must include a listing of courses in progress, as well as all completed work. (See note below.)
3. If you are transferring to UNM-Los Alamos with fewer than 26 semester hours of accepted college work, you are considered a freshmen transfer and must submit a complete official transcript of high school work or official GED scores.

Applications will not be processed until all the required items are on file with the Student Services Office.

To allow students at other institutions to make definite plans for transfer, a determination of admission status may be made before courses in progress are completed, subject only to receipt of the final transcript. Students permitted to register prior to receipt of their final transcripts may be disenrolled if their transcripts do not reach the Student Services Office within three weeks after the beginning of classes.

NOTE: The student must indicate on the application all previous college attendance. Applicants may not ignore any college attendance, even though they may prefer to repeat all courses. Students found guilty of nondisclosure or misrepresentation in filling out admission application forms, or who find after admission or enrollment that for academic or other reasons they are ineligible to return to their last institution but fail to report this immediately to the Student Services Office, are subject to disciplinary action, including possible dismissal from the University.

When to Apply

We strongly encourage students to apply as early as possible. If you do not register for the session requested on your application and wish to postpone enrollment to a subsequent semester, you must notify the Student Services Office. Applications and fees are applicable for three consecutive sessions only. If you do not take advantage of admission and enroll within that period, a new application and fee are required.

Admission Requirements

UNM-Los Alamos operates on a semester credit calendar. Therefore, classes from quarter system institutions will be recalculated to semester hours (one quarter hour equals .66 semester hour). Applicants with fewer than 26 transferable

hours are considered transferring freshmen and must therefore submit high school credentials and meet freshmen admission requirements (see Beginning Freshmen above).

Previous Suspension

A student **under academic suspension** from another college or university may not enter UNM-Los Alamos during the term of suspension. In cases of unspecified suspension periods, the University's suspension term will apply. Upon termination of the suspension, the student is eligible to request special consideration for admission to UNM-Los Alamos.

In general, students **under disciplinary suspension** are not admitted to UNM-Los Alamos. However, because the reasons for disciplinary suspension vary among institutions, a student may be suspended from one school for infractions that would not be actionable at another. Therefore, UNM-Los Alamos reviews such cases individually and, when justified, makes exceptions and allows the student to be considered for admission.

Transfer of Credits

UNM-Los Alamos evaluates without prejudice courses from postsecondary institutions that are regionally accredited or are candidates for regional accreditation. Transfer students will receive full credit for course work completed with a minimum grade of "C," provided the classes are similar or equivalent to courses offered at the University. (Transferable courses with grades of "D" from New Mexico state institutions are accepted.)

UNM-Los Alamos does not accept technical/vocational, remedial, personal development or dogmatic religion courses. Credit is not awarded for work or life experience, cooperative education or for courses from out-of-state in which the grade received was lower than "C."

Grades earned in courses taken at other institutions are not included in calculation of the UNM grade point average. This grade point average will reflect only classes taken at UNM.

Transfer Among New Mexico Higher Education Institutions

To facilitate transfer of students and course credits among New Mexico's colleges and universities, the state's public institutions of higher education are required to accept in transfer courses taken within approved modules of lower division course work and apply them toward degree requirements. Several transfer guides have been developed through collaboration of New Mexico's public postsecondary institutions, consistent with requirements of state law (21-1B, NMSA 1978). Students enrolling for first-year or second-year study at a New Mexico institution and wishing to prepare for possible transfer into a degree program at another institution are advised to take these courses during their freshman and sophomore years.

Student Responsibility

New Mexico's colleges and universities have collaborated to produce guides to assist students who plan to transfer before completing a program of study. Course modules are designed to help students select courses carefully so that they may transfer

Transferring Students

with little or no loss of credit. However, planning for effective transfer with maximum efficiency is ultimately the student's responsibility. Responsible transfer planning includes early and regular consultation with the intended degree-granting institution to assure that all pre-transfer course work will meet the requirements of the desired degree.

Transferable Lower-Division General Education – Common Core

For students enrolled at any public institution in New Mexico, the following courses are guaranteed to transfer to any other New Mexico public college or university and apply toward associate and baccalaureate degree program requirements. Students should consult advisors at their current institution regarding which specific courses fit these categories. Students preparing for careers in engineering, health sciences or other profession-related fields are advised that some of this course work may not transfer toward general education requirements but in most cases will apply toward elective requirements.

Area I: Communications	9 semester hours
(a) College-Level English Composition	3-4 hrs.
(b) College-Level Writing (a second course building on the above)	3 hrs.
(c) Oral Communications	3 hrs.
Area II: Mathematics and Statistics	9 semester hours
(a) College Algebra	3 hrs.
(b) Calculus	3 hrs.
(c) Other College-Level Mathematics and Statistics	3 hrs.
Area III: Laboratory Science	8 semester hours
(a) General Biology w/lab	4-8 hrs.
(b) General Chemistry w/lab	4-8 hrs.
(c) General Physics w/lab	4-8 hrs.
(d) Geology/Earth Science w/lab	4-8 hrs.
(e) Astronomy w/lab	4-8 hrs.
Area IV: Social/Behavioral Sciences	6-9 semester hours
(a) ECON. (macro or micro- economics)	3 hrs.
(b) Introductory Political Science	3 hrs.
(c) Introductory Psychology	3 hrs.
(d) Introductory Sociology	3 hrs.
(e) Introductory Anthropology	3 hrs.
Area V: Humanities and Fine Arts	6-9 semester hours
(a) Introductory History Survey	3 hrs.
(b) Introductory Philosophy	3 hrs.
(c) Introductory Course in History, Theory or Aesthetics of the Arts or Literature	3 hrs.
Totals to be selected	35 semester hours

Transferring Courses to Fulfill the New Mexico General Education Common Core

During the 2005 New Mexico Legislative session, Senate Bill 161, consistent with requirements of state law (Chapter 224 of the Laws of New Mexico, 1995, as amended) was

signed into law to further enhance and facilitate the articulation of general education courses among New Mexico's colleges and universities. In accordance with policies established by the New Mexico Higher Education Department, designated general education core courses successfully completed at any regionally accredited public institution of higher education in New Mexico are guaranteed to transfer to any New Mexico public institution. Students who have decided on a major and/or an institution at which to complete their studies should consult with an academic advisor at that particular institution to determine the most appropriate course selections. Students enrolling for the first-year study at a New Mexico college or university and considering possible transfer into a certificate and/or degree program at another institution are encouraged to take the courses approved for transfer during their freshman and sophomore year of study.

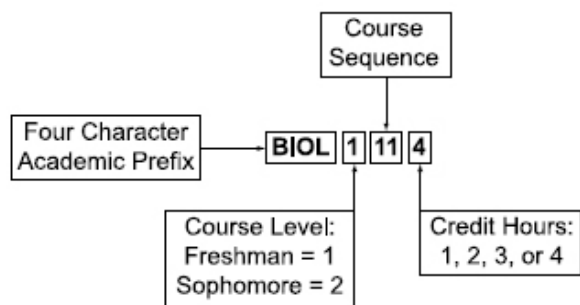
The core matrix of approved courses guaranteed to transfer and meet general education requirements at any New Mexico college or university can be found on the New Mexico Higher Education Department website at <http://www.hed.state.nm.us>. Follow the "Colleges and Universities" link to the drop down menu and select "Transferring Credits", then select "Core Matrix". Courses are listed by institution, whether university or community college, under each of the five general education areas. Students may also be able to access this list by going directly to <http://www.hed.state.nm.us>.

The course prefix and number that appear in parenthesis next to many of the institutions' internal course prefixes and numbers is the New Mexico Common Course Number. This is a four-alpha/four-numeric set of uniform course designations that serve as a single reference point for courses taught throughout the state that share substantially equivalent content. Courses bearing this designation are part of a statewide equivalency table that cross-references the institutional course and number with the universal "common course number" creating an easy one-to-one match.

Students may find the New Mexico Common Course Number listed in crosswalks, degree outlines, transfer guides, and in course descriptions in college catalogs and websites. Simply put, the common course number connects equivalent courses at multiple institutions ensuring students that the course will transfer to the receiving institution, and meet degree requirements as if it were taken on that campus.

The New Mexico Common Course Number has an alpha prefix that identifies readily to the subject area. The four digits in the number represent the specific course in that subject area with each digit having significance as demonstrated below:

Transferring Students



Inter-Institutional Transfer Guides and Catalogs

Students who have selected a field of study and/or the institution where they wish to graduate are advised to consult the transfer guide or catalog for that institution for more current and detailed advice to guide their course selection. Formal published transfer guides between The University of New Mexico and Central New Mexico Community College, Clovis Community College, Diné College, Eastern New Mexico University–Roswell, Luna Community College, Mesalands Community College, New Mexico Junior College, New Mexico Military Institute, New Mexico State University–Alamogordo, Carlsbad and Grants, Northern New Mexico College, San Juan College, Santa Fe Community College and Southwestern Indian Polytechnic Institute are available in The University of New Mexico Admissions Office and on the Web at <http://www.unm.edu>.

Complaint Procedure for Transfer Students

All New Mexico public post-secondary institutions are required to establish policies and practices for receiving and resolving complaints from students or from other complainants regarding the transfer of course work from other public institutions in the state. A copy of The University of New Mexico's complaint policy may be obtained from the Admissions Office or from the New Mexico Commission on Higher Education, 1068 Cerrillos Road, Santa Fe, NM 87501-4295, (505) 827-7383 (www.nmche.org).

Evaluation of Credit

The evaluation of credit is ordinarily part of the admissions application procedure for students entering an associate program. It is a two-step process. An Admissions Officer first evaluates credits on a course-by-course basis to determine general transferability to the University, and a transfer evaluation is produced for students who are admitted. (Students who have completed courses in institutions utilizing non-traditional credit or grading systems may be required to provide additional information to facilitate the evaluation.) The evaluation is then mailed to the student, who must contact an academic advisor in the college of the desired major in order to determine how the transferred courses will be applied to a degree.

Alternative Credit Options

Alternative Credit Options

UNM-Los Alamos grants college credit for certain outside training, courses and examinations. In all cases, students must be enrolled in undergraduate degree status. The guidelines for each of these programs are as follows:

Technical Credit

Under special circumstances, students may receive credit for technical courses that are not normally transferable to UNM-Los Alamos. Students who have earned technical credit which they believe may be applicable to their specific degree programs can request a review of that credit by the department chairperson or program director. An interview or demonstration of competence, or both, may be required before a decision regarding credit is made. Acceptance of technical credit is binding only to the specific department or program recommending the credit.

Training Credit

Credit for noncollegiate training programs is granted based on recommendations of the American Council of Education's "National Guide to Educational Credit for Training Programs" and institutional policies. Official records must be supplied to The University of New Mexico-Los Alamos Office of Student Services by the appropriate source.

Military Credit

Credit for military service is granted based on recommendations of the American Council of Education's "Guide to the Evaluation of Educational Experiences in the Armed Service" and institutional policies. No credit is granted for Military Occupational Specialty (MOS).

Readmitted Students

How to Apply

A UNM-Los Alamos degree-seeking student who stops attending for **three or more sessions, including summer**, must file an application for readmission. You may also apply over the Web at www.la.unm.edu. The application fee is not required.

1. Complete and return an application for readmission.
2. If you attended another institution while away from UNM-Los Alamos or have taken college level correspondence or extension courses, send an official transcript from each college you have attended directly to the Student Services Office. A summary on one transcript of work at several colleges is not sufficient. If you are applying for the next academic semester at UNM-Los Alamos while still enrolled at another institution, the official transcript must include a listing of courses in progress, as well as all completed work. Applications will not be processed until all the required items are on file with the Student Services Office.
3. Readmissible students with fewer than 26 semester hours or undecided about their major will ordinarily enroll in an associate degree program. Students with more than 26 semester hours, with an area of interest or

a definite major in mind should refer to the appropriate program section of the catalog.

4. Students who have been suspended or dismissed as the result of disciplinary problems shall not be readmitted to the University without a required interview with the Director of Student Services. The University reserves the right to refuse any student readmission on the basis of his or her student history, either academic or disciplinary.

When to Apply

We strongly encourage students to reapply as early as possible. Deadlines for readmission vary according to your previous academic status or the college you wish to enter. Contact the Student Services Office for specific dates. If you do not register for the session requested on your application and wish to postpone enrollment to a subsequent semester, you must notify the Student Services Office. Applications are applicable for **three consecutive sessions only**. If you do not take advantage of admission and enroll within that period, a new application is required.

Non-Degree Credit Program

The Non-Degree credit program allows students to earn academic credit without being admitted into a degree-granting unit. This program accommodates non-traditional students who wish to begin taking academic courses at UNM-Los Alamos without taking college entrance exams; those who missed the degree status deadline; and those who wish to take academic courses to prepare for graduate studies, career changes or for professional and/or personal development. Non-Degree status is recommended for visiting students from other institutions. All Non-Degree students, including those attending the Albuquerque and branch campuses, are under the administration of the Dean of the Division of Continuing Education.

How to Apply

Complete and return a non-degree admission application and a \$10.00 fee to:

Registrar
UNM-Los Alamos Student Services Office
4000 University Drive
Los Alamos, NM 87544

Students may call (505) 662-0332 to request an application.

When to Apply

Students are encouraged to submit their applications as early as possible. If you do not register for the session requested on your application and wish to postpone enrollment to a subsequent semester, you must

notify the Student Services Office. Applications are applicable for three consecutive sessions only. If you do not take advantage of admission by enrolling within that period, a new application and fee are required.

Admission Requirements

You must be 21 years of age or older or if you are under 21:

- a. Your high school graduating class must have been out of school for at least one full year;

-or-

- b. If you earned your diploma by the GED exam, your graduating class must have been out of high school at least one year.

NOTES:

1. Students in Non-Degree status are not eligible to receive financial aid. Contact the Financial Aid Office at (505) 662-0341 for details.
2. Veterans planning to attend the University under one of the public laws governing veterans' educational benefits and who are seeking admission to Non-Degree are required to have special approval from the Financial Aid Office (505) 662-0341.

The following students are not eligible for Non-Degree status:

1. A student who is under disciplinary or academic suspension from UNM-Los Alamos or any other collegiate institution.

Non-Degree Credit Program

2. A student who has exhausted his or her eligibility in University College and is not academically eligible to enter a degree-granting college at The University of New Mexico.
3. A student who has not completed a degree and was previously enrolled in degree status in an undergraduate college at The University of New Mexico.
4. A student from another country who is in the United States on a student visa.
5. A student who has been refused admission to degree status.
6. A student planning to receive student financial aid.

Applicants for Non-Degree status are required to certify that they are not under suspension from any college or university. Students found guilty of nondisclosure or misrepresentation in filling out the admission application form or who after admission or enrollment at UNM-Los Alamos are found to be ineligible for academic or other reasons to return to the last institution attended and fail to report this immediately to the Student Services Office, will be subject to disciplinary action, including possible dismissal from the University.

Facts about Non-Degree Status

1. A one-time \$10.00 application fee is required.
2. No transcripts of previous high school or college work are required for admission.
NOTE: A transcript may be required to determine fulfillment of prerequisite course work.
3. There is a 30 credit hour limit in Non-Degree status if you do not have a baccalaureate degree. There is no limit for students with a baccalaureate degree.
4. Credits earned in Non-Degree are recorded on a University of New Mexico permanent record. Credits may be applied to an undergraduate plan of study, if the courses meet specific degree requirements.
5. If you are planning to take education courses, you must contact the College of Education at (505) 277-3190 concerning requirements.
6. Non-degree students applying for undergraduate degree status must follow admission procedures and provide all items required of transfer students (see Transferring Students).

Academic Standards

Students in Non-Degree are subject to all University regulations governing registration, attendance, academic standing and satisfactory completion of prerequisite courses. The Albuquerque campus Non-Degree Student Services Office governs academic standing and maintains college records for all Non-Degree students, including those at branch campuses and Extended University sites.

Non-Degree Status Limitations

Students without a baccalaureate degree may earn no more than 30 semester credit hours in non-degree status. No undergraduate college of the University will accept in a degree program more than 30 semester hours earned while the student is in non-degree status nor is a college obligated to accept any hours earned in non-degree status that do not fulfill college degree requirements. If degree status is not attained prior to earning 30 semester hours, the student will be allowed to register in courses in non-degree status as an auditor only, receiving no credit.

Normally a non-degree student may not enroll for more than 9 semester hours during a regular session without special permission. Contact the UNM-LA Student Services (662-0332) to discuss enrollment limitations and options. **This limitation does not apply to a student who has earned a baccalaureate or higher degree nor to a visiting student.** The senior residence requirement cannot be met by enrolling in non-degree status. This can be accomplished only by enrolling in a degree-granting college of the University.

A non-degree student who does not have a baccalaureate or equivalent degree may not enroll in 500-600 level courses. Non-degree students normally may enroll only in undergraduate credit offerings. In some cases graduate credit course work earned while in non-degree may apply to a graduate degree. Contact the specific department for details.

Non-Degree Advisement Office

Non-Degree advisement is part of the University College Advisement Center, located in the Student Services Center, Rm. 114.

Phone: (505) 277-2631
FAX: (505) 277-3173
E-mail: ucac@unm.edu

The Advisement Center provides the following services for Non-Degree students:

- Academic Advisement
- Registration Assistance
- Orientation Sessions for New Students
- Extended Office Hours
- Referrals to Campus Services

International Students

The University of New Mexico welcomes applications from international students who have earned distinguished academic records and have demonstrated English proficiency. The University is proud to claim one of the most ethnically diverse student bodies among universities anywhere in the United States. The academic programs consistently rank among the top in universities across the United States, and the faculty is distinguished by Nobel Laureates, Fulbright recipients and nationally recognized academicians.

International Non-Degree Admission

1. International students wishing to enroll at UNM-Los Alamos in Non-Degree Status must submit an admission application which includes Visa Type and Country of Citizenship information.
2. Students taking non-academic courses may not be required to provide copies of documentation or proof of English Proficiency with the admission application.
3. Students interested in taking an academic course will be required to obtain instructor approval or provide proof of English proficiency.
4. Please contact the UNM-Los Alamos Registrar at (505) 661-4688 for guidance and more information.

International Undergraduate Admission Requirements

1. Secondary Education

Completion of the equivalent of an American upper secondary school education (approximately 12 years of formal education beginning at age six) as well as the appropriate diplomas and/or satisfactory results on leveling examinations.

2. Academic Preparation

Strong academic preparation or a U.S. equivalent grade point average of 2.5 on a 4.0 scale (for freshman applicants) or 2.0 on a 4.0 scale (for transfer students).

3. English Proficiency

If English is not the first language of the student or not the official language of the country, the student must submit results of either the International English Language Testing System (IELTS) - minimum score 6.5; the Test of English as a Foreign Language (TOEFL) - minimum score 520 paper-based or 190 computer based; the University of Cambridge Examinations Certificate of Proficiency in English (CPE) or Certificate of Advanced English (CAE) - minimum score C. Students who are academically admissible but whose scores are less than the required minimum may enroll in the intensive English program offered through UNM's Center for English Language and Culture (CELAC). Contact the Office of International Programs and Studies (oips@unm.edu) for additional information. Transfer students who have satisfactorily completed the equivalent of The University of New Mexico's two freshman English composition courses (ENGL 101 and 102) at accredited U.S. institutions are not required to submit English

proficiency results scores.

4. Financial Resources

All international applicants seeking a degree are required to submit documentation verifying adequate funding to meet study and living expenses while in the United States. A minimum amount of approximately \$27,000 U.S. dollars is required (based on 2004–2005 rates). Proof of support includes a Certification of Financial Responsibility Form completed for all years of study and proof of funds available for the first year of study.

5. Health Insurance

International students who attend The University of New Mexico and any dependents who may accompany them are required to have medical insurance as offered through The University of New Mexico. Students who demonstrate that they have equivalent health insurance policies may be granted waivers.

Required Documents

1. Completed application form

Students must submit an application for International Undergraduate Admission to the Office of International Admissions. Students may also apply online at <http://www.unm.edu>.

2. \$30.00 non-refundable application fee

(Must be in U.S. currency and paid by International Postal Money Order or certified check drawn on a U.S. bank.)

3. Evidence of English language proficiency

Test scores must be sent directly to the University from IELTS www.ets.org

4. Academic Records

In order to facilitate the admission decision, The University of New Mexico strongly recommends that students initially submit academic records to any member of the National Credential Evaluation Services (<http://www.naces.org>). Students must still submit official transcripts to the University, but the English translations will not be required. Students who do not utilize a credential evaluation service must have official grade reports (transcripts) and diplomas or certificates from each institution attended sent to The University of New Mexico. Students must submit original or officially certified copies. Notarized, faxed copies or photocopies of these documents are not acceptable. All documents must be submitted in both the original language accompanied by an official certified English translation. Certified copies must contain the original signature(s), stamp(s) or seal(s) of the issuing institution's designated official. Students who have no prior college or university credit must submit evidence of graduation from an acceptable secondary school and must be eligible for admission

International Students

to a recognized university in their home countries.

Note: A student who wants any information concerning the applicant file released to any third party must submit a letter of authorization directly to the International Admissions Office. This release must include the student's name and signature.

Application Deadlines

Fall Semester — March 1
Spring Semester — August 1
Summer Session — January 1

Applications and all supporting credentials must be submitted by these dates. Only complete applications will be reviewed for admission.

Submit all documents to:

International Admissions
Office of Admissions
MSC06 3720
1 University of New Mexico
Albuquerque, NM 87131-0001

documents (except secondary academic records) to the Office of International Admissions by the published deadlines.

PLEASE NOTE: I-20 Statement

The Immigration Form I-20 is valid up to the first day of class for the semester or summer session to which a student is admitted. Students that are not able to attend must immediately return the I-20 form to the International Admissions Office. A \$50 non-refundable deposit is required before the I-20 will be issued. It is later applied to tuition. If a student does not enroll or changes semesters, the deposit is forfeited.

International Undergraduate Readmitted Students

A University of New Mexico degree-seeking student who stops attending for consecutive sessions must file an application for readmission. You may also apply on the Web at <http://www.unm.edu>.

If you have attended another institution since your last attendance at the University, you must also submit new, official transcripts.

In addition, you must update your financial documentation.

Note: Students applying for graduate program (beyond the bachelo



Undergraduate Admissions

General Academic Regulations

Students are responsible for complying with all regulations of the University, their respective colleges and the departments from which they take courses, as well as for fulfilling all degree requirements. Students are responsible for knowing and complying with all academic regulations.

Core Curriculum

The University has adopted a revised Core Curriculum as of Fall 2003 which all undergraduate students must complete as part of their baccalaureate program. The Core consists of several groups of courses designed to enhance each student's academic capabilities. Its goal is to give all students at the University a grounding in the broad knowledge and intellectual values obtained in a liberal arts education and to assure that graduates have a shared academic experience. The required courses encourage intellectual development in seven areas of study: writing and communication, social and behavioral sciences, mathematical reasoning, scientific methods in the physical and natural sciences, the humanities, the fine arts, and languages. The Core consists of lower-division courses which develop these skills and abilities, and students are strongly encouraged to complete the Core early in their college careers. Individual student substitutions should be minimal and are discouraged. Except where noted (see "Alternative Credit Options" in the Undergraduate Admissions section of the Catalog), students may apply AP or CLEP credit to the Core requirements.

Departments and colleges may restrict student choices within the Core to meet departmental and college degree requirements. A grade of C (not C-) is required in all courses used to fulfill the requirements of the Core Curriculum. Courses taken CR/NC can be applied to the core, subject to general University and individual college and department regulations on the number of credits that can be taken CR/NC and the applicability of courses taken CR/NC to the individual degree.

The University recognizes, however, that the highly structured nature of many degree programs and the presence of numerous transfer and non-traditional students requires flexibility on its part. Transfer and reentering students will receive advising in the college and department to which they are admitted in order to establish an appropriate program which will meet their needs and the aims of the Core. Where degree program requirements are so structured that a student's total academic program credits would be increased by taking a Core course in a particular Core area, a department may approve a blanket substitution of a course in a particular Core area for all students pursuing an undergraduate degree in that particular program. Approval of substitutions or exceptions is handled on a department and college basis.

The basic Core Curriculum requires approximately 37 hours of courses in seven areas of study.

1. Writing and Speaking (9 hours):

English 101 and 102 plus an additional course chosen from English 219, 220; Communication and Journalism 130; Philosophy 156. Students with ACT English scores of 29 and higher or SAT Critical Reading scores of 650 or higher have satisfied the University Writing Requirement and should enroll for courses of their choice in the Writing and Speaking Core. Students with ACT English scores of 26, 27, 28 or SAT Critical Reading scores of 610 or higher may enroll directly in English 102 and, upon passing, meet the University Writing Requirement. Students with ACT English scores of 25 or lower or SAT Critical Reading scores below 610 should enroll in English 101. Students who have taken an Advanced Placement examination in English Language or Literature should refer to "Advanced Placement" for placement and credit information.

2. Mathematics:

One course chosen from Math 121, 129, 150, 162, 163, 180, 181, 215, Stat 145.

3. Physical and Natural Sciences:

Two courses, one of which must include a laboratory, chosen from Anthropology 150 and 151L, 121L (lab required), 160 and 161L; Astronomy 101 and 101L; Biology 110 and 112L, 123 and 124L; Chemistry 111L (lab required), 121 and 123L (lab required) or 131L (lab required), 122 and 124L (lab required) or 132L (lab required); Earth and Planetary Sciences 101 and 105L, 201L (lab required); Environmental Science 101 and 102L; Geography 101 and 105L; Natural Sciences 261L (lab required), 262L (lab required), 263L (lab required); Physics 102 and 102L, 105, 151 and 151L, 152 and 152L, 160 and 160L, 161 and 161L.

4. Social and Behavioral Sciences (minimum 6 hours):

Two courses chosen from American Studies 182, 185; Anthropology 101, 130; Community and Regional Planning 181; Economics 105, 106; Engineering-F 200; Geography 102; Linguistics 101 (AOA Anthropology 110); Political Science 110, 200, 220, 240; Psychology 105; Sociology 101.

5. Humanities (6 hours):

Two courses chosen from American Studies 186; Classics 107, 204, 205; Comparative Literature and Cultural Studies 223, 224; English 150, 292, 293; Foreign Languages (M Lang) 101; History 101L, 102L, 161, 162; Honors Legacy Seminars at the 100- and 200-level; Philosophy 101, 201, 202; Religious Studies 107, 263, 264.

Undergraduate Admissions

6. Foreign Language (non-English language; minimum 3 hours):

One course chosen from any of the lower-division non-English language offerings of the Departments of Linguistics (including Sign Language), Spanish and Portuguese, Foreign Languages and Literatures, and foreign languages

in other departments and programs.

7. Fine Arts (minimum of 3 hours):

One course chosen from Architecture 101; Art History 101, 201, 202; Dance 105; Fine Arts 284; Media Arts 210; Music 139; Theatre 122. Students may elect to take one 3-hour studio course offered by the Departments of Art and Art History, Music, Theatre and Dance, and Media Arts to

Graduation Requirements

Bachelor Degrees

Graduation from The University of New Mexico is not automatic. Application for candidacy for graduation is required. Each college may have differing deadlines for degree application. Students anticipating graduation should make arrangements well in advance with their college.

Candidates for an undergraduate bachelor degree must meet the following University minimum degree requirements and are subject to the following University limitations:

1. Students must be admitted to The University of New Mexico college from which the degree is awarded at the time of graduation.
2. A minimum of 128 semester hours of earned credit is required.
3. Completion of the University Core Curriculum.
4. Residence credit requirement: A minimum of 30 semester hours of credit, exclusive of extension and correspondence (independent study) credit, must be earned at The University of New Mexico. Of these 30 semester hours in residence, 15 semester hours must be earned after the candidate has accumulated 92 hours of earned semester hour credit; these 15 hours, however, do not necessarily have to be the last hours of a degree program. A student may fulfill all or part of this residence requirement by attending summer session.
5. The student must have a minimum cumulative grade point average of 2.0.
6. The student must demonstrate a minimum competence in English writing by passing ENGL 102 with a "C" or better or attaining a suitable score on an authorized proficiency test prior to graduation. Students exempt from taking ENGL 101 and students who receive a grade of B- or higher in ENGL 101 or its equivalent at another institution, may choose to satisfy the minimum competence in English writing requirement through the Writing Proficiency Portfolio program administered in the English Department.
7. A maximum of 24 semester hours of pass/fail (CR/NC) grading option courses may be applied toward a bachelor degree.
8. A maximum of 40 semester hours of extension and correspondence (independent study) credit may be applied toward a bachelor degree and no more than 30 of these hours may be correspondence credit.
9. Students must contact their college office prior to their

last semester in order to initiate and complete the graduation process.

10. Major and minor residence requirements: at least one-half of the minimum number of credit hours required for major study and one-fourth of the minimum for minor study must be class or laboratory work earned in residence at The University of New Mexico. A senior transfer student may satisfy this requirement with the approval of the major department with at least one fourth of the total minimum hours required for the major. Most colleges will not accept Introductory Studies courses or "T" courses to satisfy any of these requirements.
11. A student will not be permitted to graduate if unresolved incomplete grades or not reported grades are on the student's academic record. It is the student's responsibility to resolve any and all incomplete or not reported grades by the published ending of the semester in which graduation occurs.
12. Once a student has completed academic requirements for a degree (certificate, associate, baccalaureate, master's, Ph.D.) and has received their diploma and appropriate notations on their official transcript, no modification of their academic record leading to that degree will be made by The University of New Mexico.

Additional degree requirements for a specific bachelor's degree will be found in the appropriate college section of the UNM catalog.

Associate Degrees

Candidates for associate degrees offered by any of The University of New Mexico's colleges or branches must meet the following minimum degree requirements and are subject to the following University limitations:

1. A minimum of 60 acceptable semester hours must be earned. Technical work (up to the limit specified below) may be included in these 60 hours, upon approval of the appropriate degree-granting college.
2. A minimum of 15 semester hours must be earned in residence at The University of New Mexico, exclusive of extension and correspondence credits. The remainder may be acceptable transfer credits earned at fully accredited

Graduation Requirements

institutions of higher learning and/or at regionally accredited technical-vocational institutions (see also Transferring Students for transfer credit regulations).

3. Of the 60 hour minimum, no more than 9 semester hours may be earned by extension or correspondence.
4. The student must have a cumulative grade point average of at least 2.00.
5. Introductory Studies 100 courses may not be used to satisfy any of the above requirements.

Certificates

Candidates for certificates offered by any of The University of New Mexico's colleges or branches (except EMT) must meet the following minimum requirements and are subject to the following University limitations:

1. A minimum of 30 acceptable semester hours must be earned. Technical work (up to the limit specified below) may be included in these 30 hours upon approval of the certificate-granting program.
2. A minimum of 15 semester hours must be earned in residence at The University of New Mexico-Los Alamos.
3. Of the 30 hours minimum, no more that 6 semester hours may be earned by extension or correspondence.
4. The student must have a cumulative grade point average of at least 2.00.

Second Certificate/Associate Degree

A second certificate or a second associate degree will not be granted until a student has earned a minimum of 15 semester hours in residence above the requirements for the first certificate or degree and fulfilled all requirements for the second certificate or degree including residence requirements.

Extension and Independent Study

The University of New Mexico allows credit for independent study, correspondence and extension courses at the University of New Mexico or through other fully accredited colleges and universities toward degree requirements.

Credit for extension and independent study courses completed at institutions not accredited by regional accrediting associations is not accepted for transfer, although a student who has completed such correspondence or extension work in a course comparable to one at the University of New Mexico may establish credit here by special examination (see Examinations).

The hours earned by independent study or extension from accredited institutions other than the University of New Mexico may be counted toward degree requirements, but the grades will not be included in the student's grade point average (see Grade Point Average). Courses taken from other institutions must correspond to those offered at the University of New Mexico.

Any graduating student who expects to substitute credits earned by independent study toward fulfillment of degree requirements must have prior approval of his or her college's dean. The student is responsible for complying with all regulations stated in the Independent Study Guidelines.



Undergraduate Admissions

Cooperative Education

The Cooperative Education and Internship program provides UNM-Los Alamos students from various academic disciplines with an opportunity to work in a field related to their major. The work should allow students to apply theories learned in the classroom to “real world” experiences. The work provides an opportunity to earn course credit.

More information on Cooperative Education is available from the Student Services Office located in the lower level of Building 2.

Catalog Requirements

Undergraduate students may graduate under the requirements in the catalog issue in effect at the time of their admission into the college or school from which they are seeking a degree. If students transfer from one degree-granting college or program to another within the University, they must comply with the catalog requirements in effect at the time of their transfer.

Non-withstanding the above, The University of New Mexico-Los Alamos reserves the right to make changes in the curricula and degree requirements as deemed necessary, with the changes being applicable to currently enrolled students.

Readmission

Students who interrupt their degree program and are not enrolled for three or more consecutive semesters (including Summer), must comply with catalog requirements in effect at the time of reenrollment.

Responsibility for Requirements

Students are responsible for knowing the rules and regulations concerning graduation requirements and for registering in the courses necessary to meet them. Advisement at the specific department/program level is strongly recommended to assure timely graduation.

Students who take more than 10 years to graduate from the date of their original admission, must conform to the catalog in effect in the semester in which they intend to graduate.

Commencement

Commencement exercises are held once per year, at the end of the spring semester. Attendance is optional. Students whose requirements were completed and degrees conferred in the preceding summer session, fall or spring semester are invited to attend.

Executive Director’s List

UNM-Los Alamos students who demonstrate academic excellence are honored by inclusion in the Executive Director’s List. Students are selected based on the following criteria:

1. Part-time students (6-11 hours) must complete a minimum of 6 undergraduate credit hours at UNM-LA with regular grading option in a given semester.

2. Full-time students must complete a minimum of 12 undergraduate credit hours at UNM-LA with a regular grading option in a given semester.
3. A semester Grade Point Average (GPA) of 3.5 is required.
4. No grade lower than a “C” (not “C-”) is acceptable.
5. Students in Non-degree or Graduate status are ineligible for consideration.

New Mexico/WICHE

(Western Interstate Commission for Higher Education) Since 1951, New Mexico has sponsored and sent students across state lines to receive professional education. The 13 western states have provided this service under terms of the Western Regional Education Compact, which has been adopted by the legislatures of all 13-member states and has been administered by the Western Interstate Commission for Higher Education.

New Mexico participates in 11 of the 15 disciplines offered through WICHE Professional Student Exchange. Certified New Mexico residents are eligible for funding support at WICHE-participating institutions in the fields of dentistry, veterinary medicine, occupational therapy, optometry, osteopathy, physician assistant, masters of physical therapy, podiatry, nursing, graduate library studies and public health. In addition, New Mexico receives WICHE students from the other compacting states in the fields of medicine, physical therapy, law, pharmacy and architecture.



Student Services Information

Records

The Student Services Office is responsible for the maintenance of the educational records at UNM-Los Alamos. This includes, but is not limited to, student transcripts, academic folders and faculty grade reports. The following information refers to some of the policies and procedures for educational records. Please Note: proper photo identification (driver's license, Lobo Card, passport or other state issue identification) is required for all in-person transactions.

Use of Social Security Numbers

Your Social Security Number will not be the primary University identification number. It will not appear on your UNM Lobo identification card. UNM is required to collect your SSN in order to provide full access to services such as financial aid, to ensure an accurate academic record, and for record-keeping purposes. The University will protect the confidentiality of your SSN as required by law.

Access to and Confidentiality of Student Records

Family Educational Rights and Privacy Act (FERPA)
November 19, 1974

Student Record Policy

1. Introduction

Under the Family Educational Rights and Privacy Act of 1974 (FERPA), students have the right to inspect and review most education records maintained about them by the University of New Mexico, and, in many cases, decide if a third person can obtain information from them. Nine categories of information, however, are public (or directory information) unless a student asks that some or all of that information be withheld. It is the policy of the University to comply fully and fairly with the provisions of the Act, Federal Regulations and this policy.

2. Limitations on Access to Student Records

No one inside or outside the University shall have access to, nor will the contents of students' education records be disclosed without the written consent of the students except as provided by the Act and Regulations. Exceptions in the Act and Regulations include but are not limited to the following: personnel within the institution determined by the institution to have a legitimate educational interest, officials of other institutions in which students seek to enroll or are enrolled, persons or organizations providing student financial aid, accrediting agencies carrying out their accreditation function, persons in compliance with judicial orders and persons in an emergency when necessary to protect the health or safety of students or other persons.

3. Students' Right of Access to Review Their Records

A student has the right to inspect and review all education records about him or her except: (1) personal notes (available only to writer or substitute) of University staff and faculty, (2) certain student employment records, (3) counseling records used solely for treatment, (4) certain records of the University Police, (5) parents' financial records, (6) confidential letters and statements of recommendation placed in the records before January 1, 1975, and (7) confidential letters and statements of recommendation for admission, employment, or honorary recognition placed in the records after January 1, 1975, which students have waived the right to inspect and review.

4. Informing Students of Their Rights

This policy will be published in the *UNM Pathfinder* or its successor.

5. Location of Student Records

Student records are not maintained in a central location. Instead, these records are maintained by each office with which a student has contact while enrolled at the University. A partial list of places where educational records are maintained by various University offices is listed below.

- Admissions Office, Director of Admissions, Student Services Office
- Career Counseling and Placement, Director, Career Counseling and Placement, Student Services Office
- Cashiers and Student Accounting, Bursar, Student Services
- Dean of Students Office, Associate Vice President and Dean of Students, Student Services
- Graduate Studies, Dean, Graduate Studies, Humanities Building
- Housing Services, Director of Finance, Building 1
- Records and Registration Office, Registrar, Student Services Office
- Financial Aid Manager, Student Financial Aid Office, Student Services, Building 2.

6. Records Excluded from the Definition "Education" or "Student" Records

The following categories of records are not included in the term "education records" or "student records" under the Act:

- 6.1. Records of instructional, supervisory, administrative and certain educational personnel which are in the sole possession of the maker and are not revealed to any other individual (except a substitute who performs on a temporary basis the duties of the person who made the record).
- 6.2. Records of the University Police. These records are maintained and created by the University Police Department for the purpose of law enforcement. Their disclosure is subject to rules and regulations of the University Police, consistent with applicable law.
- 6.3. Records relating to individuals who are employed by the University which are made and maintained in the normal course of business, relate exclusively to individuals in their capacity as employees and are not available for use for any other purpose. However, it should be noted that records of individuals in attendance at the University who are employed as a result of their status as students are education records and as such may be inspected by the student.
- 6.4. Records which contain only information about a person after that person is no longer a student at the institution, e.g., information gathered on the accomplishments of alumni.

7. Review Policies and Procedures

Requests to inspect and review records must be made, in writing, to the office that keeps the records. Although it is the University's policy that requests to inspect records be honored as promptly as possible, the offices have up to 45 days to honor such requests.

It is the policy of the University to provide the student upon request with photocopies of her or his records where that will help the student in inspection and review of the records unless: (1) the record to be copied is an examination, in which case permission of the faculty member is necessary, or (2) where a student's record is being withheld because of an outstanding financial obligation to the University.

Fees for photocopies of materials in the records are the same as University offices charge for photocopies of other materials. At its option, an office may furnish copies at no charge, or take the materials to a copy/duplicating center on campus, where the current rate for cash work will be charged.

Student Services Information

8. Release Policies and Procedures, University Employees and Agents

The University will not disclose personally identifiable information from a student's education record without the student's written consent, except when it is permitted by the Act and Regulations. As permitted by the Act and Regulations, information will be disclosed without the student's consent to University officials with a legitimate educational interest. These officials or their agents, and their interests, include:

- 8.1. Any University employee who needs the information to fulfill job responsibilities.
- 8.2. University collection agents only for the purposes of collecting debts owed to the University.
- 8.3. Legal counsel advising or representing the University.
- 8.4. National Collegiate Athletic Association and the Mountain West Athletic Conference only for the purposes of conforming to eligibility rules for athletic competition.
- 8.5. Contractors, such as data processing, only for the purposes of performing work under contract for the University.
- 8.6. Honorary societies, and other chartered student organizations, only for determining membership eligibility/requirements, when the societies and/or organizations do not unlawfully discriminate on the basis of race, color, religion, national origin, physical or mental disability, age, sex, sexual preference, ancestry, or medical condition.
- 8.7. University researchers, including students doing research under supervision of a faculty member, if there are safeguards to protect the security of personally identifiable data and if it will not be possible to ascertain the identity of any student in any dissemination of the data or research results.
- 8.8. Officials of cooperating universities in which the student is enrolled.

9. Release to Alleged Victims of Crimes of Violence

The results of any disciplinary proceeding conducted by the University in response to allegations of a crime of violence allegedly committed by a student, shall be disclosed upon request to the alleged victim(s) of such crime of violence.

10. Directory or Public Information Categories

The University, in accord with the Act, has designated categories of information about students as "directory information" which is public unless a student asks to have all of it withheld. These categories are

- Name
- Address (school and permanent)
- Telephone listing
- Electronic Mail Address
- Date of birth
- Major field of study (including current classification, year, credit load and number of academic credits earned toward degree)
- Dates of attendance (matriculation and withdrawal dates)
- Degrees and awards received (type of degree and date granted)
- Most recent previous educational agency or institution attended. Participation in officially recognized activities and sports, and weight and height of members of athletic teams.

A student wishing to keep confidential the "directory information" listed above must file a written request with the Office of the Registrar. This request may be submitted in person, by mail or fax. Once a confidential privacy flag has been placed on a student's record the directory/public information will not be released to individuals, companies or third party entities outside The University of New Mexico. The confidential privacy flag will not automatically be removed upon graduation from The University of New Mexico. If you have requested a confidential privacy flag, your name will not appear in The University of New Mexico Commencement Program.

The removal of the confidential privacy flag may be requested in person and in writing by fax or mail. The address is Records & Registration, MSC 06 3650, 1 University of New Mexico, Albuquerque, NM 87131-0001. The fax number is (505) 277-6809. The following information is needed to process the request by fax or mail: student name, social

security number and signature.

11. Requests for Disclosure

University offices will maintain a record of disclosures and requests for disclosure of personally identifiable information from a student's record except when the request for disclosure is directory information, pursuant to the student's consent, or is to a school official described in this policy. It is the policy of the University to permit the student to inspect this record of disclosures and requests for disclosure pertaining to his or her records. All disclosures (except for disclosures to the student or disclosures of directory information) shall be made on the condition that the information shall not be further disclosed without the student's consent.

12. Right to Challenge Information in Student Records

It is the policy of the University that a student may challenge any information in his or her education records which he or she believes to be inaccurate, misleading or in violation of privacy. This right does not extend to reviewing grades unless the grade assigned by a professor was inaccurately recorded in the records. A student may also insert a statement in the records explaining any such material from his or her point of view. If a student wishes to challenge information in the file, he or she must make a written request for a hearing to the dean, director, or chairperson of the office which maintains the record. In most cases, the decision of the dean, director or chairperson will be final. However, a student may appeal in writing to the Associate Provost or the Vice President for Health Sciences or their designee, as the case may be, who will review the decision only if a significant question of policy or compliance with the law appears to be raised by the case.

13. Waiver of Rights Not Required

It is the policy of the University that students not be required to waive their rights under the Act before receiving University services or benefits.

14. Assistance with Problems or Questions about Compliance

If a student has questions about the provisions of the Act, he or she may contact the Office of the Registrar.

If a student believes that the University has not complied with the Act, he or she should direct comments concerning this to the Office of the Registrar.

If a student believes that the University has not complied with the Act, written complaints may be filed with the Family Educational Rights and Privacy Act Office (FERPA), U.S. Department of Education, 400 Maryland Avenue, SW., Washington, D.C. 20202-4605, telephone (202) 732-1807.

The Registrar shall either resolve the issue, or shall refer it to the appropriate University body for resolution.

Copies of and information about the Rights and Privacy Act are available in the Records and Registration Office, Student Services Office.

Change of Name

Students who need to process a change of name for their academic records must bring appropriate documentation to the Student Services Office. The appropriate documentation includes proper photo identification (valid driver's license, passport or other state issue identification) and the social security card showing the new name. No other type of documentation will be accepted.

Student Services Information

Transcripts

The Records and Registration Office of UNM-LA issues both official and advisement copies of The University of New Mexico student records. A student may request a transcript of their academic record in the lower level of Building 2, by mail or by FAX. The address is Registrar, UNM-Los Alamos Student Services, 4000 University Drive, Los Alamos, NM 87544. The FAX number is (505) 661-4698. The following information is needed in order to process a request by mail or FAX: student name (all names used while at the University of New Mexico), social security number, date of birth and dates of attendance. The student's signature is required to authorize the release of any transcript. Proper photo identification (driver's license, Lobo Card, passport or other state issue identification) is required to obtain a transcript in person. A fee of \$3.00 is charged per official transcript. For rush requests, the fee is \$10.00 per transcript.

Transcript information and request forms are available online at www.unm.edu/~unmreg/trans.htm.

Transcripts from other institutions that are sent to the University of New Mexico for purposes of admission are not copied or returned to the student.

Transcript Holds

Transcripts may be held for financial and nonfinancial reasons. No official transcripts will be released until the student's outstanding obligations to the University have been paid or until satisfactory arrangements have been made.

Grade Notification

Semester grades are available via <http://unm.edu/~unmreg/> or LOBOWeb/LOBOPhone (246-2020). If a hard copy is required, it can be obtained from Student Services, Building 2.

Residency

Summary of Regulations for New Mexico Residency for Tuition Purposes

A student who enters and remains in this state principally to obtain an education is presumed to continue to reside outside this state and such presumption continues in effect until rebutted by clear and convincing evidence of bona fide residence. A student determined to be financially dependent on an out-of-state parent or guardian also assumes the residency of that parent or guardian. The "burden of proof" is on the student. The student must secure and file the petition with the appropriate documents of evidence in the manner described herein. All documents submitted for this purpose will be kept confidential. Residency petitions will be accepted until the second Friday of each Fall and Spring semester in the Office of the Registrar in the Student Services office located in the lower level of Building 2.

To become a legal resident of New Mexico, four basic

requirements must be completed by the student. Each person must meet the requirements individually.

The 12 Month Consecutive Presence Requirement

A student must physically reside in the state for 12 consecutive months immediately preceding the term for which the student submits a petition.

The Financial Independence Requirement

A student cannot be approved for residency who is financially dependent upon his or her parents or legal guardian who are non-residents of New Mexico. At the time the student applies for residency (if under 23 years of age), a copy of his or her parents' or guardians' 1040 or 1040A U.S. income tax form for the previous year must be submitted with the application. If the student is shown to be a dependent on this tax form, he or she will not be eligible to establish residency apart from his or her parents or guardian.

The Written Declaration of Intent Requirement

The student must sign a written declaration of intent to relinquish residency in another state and to establish it in New Mexico.

The Overt Acts Requirement

New Mexico requires the completion of several "overt" acts which support the student's declaration of intent to become a permanent resident. The required overt acts are evidence of any two of the following:

1. If the applicant is financially dependent, a copy of the parents' or guardians' previous year income tax form showing the applicant as a dependent and the parents' address as New Mexico;
2. A New Mexico high school transcript issued in the past year confirming attendance at a New Mexico public or private high school within the past 12 months;
3. A transcript from an online high school showing a New Mexico address confirming attendance within the past 12 months;
4. A New Mexico driver's license or ID card with an original date of issue or a renewal date issued prior to the application date for admission;
5. Proof of payment of New Mexico state income tax for the previous year;
6. Evidence of employment within the state of New Mexico;
7. New Mexico vehicle registration;
8. Voter registration in New Mexico;
9. A bank account established in New Mexico prior to the application date for admission;
10. Proof of residential property ownership in New Mexico;

Student Services Information

11. A rental agreement within New Mexico;
12. Utility bills showing the applicant name and a New Mexico address;
13. Other evidence which would reasonably support the individual's intent to establish and maintain New Mexico residency.

Any act considered inconsistent with being a New Mexico resident will cause the request for resident classification to be denied. As such, other relevant factors may be considered in addition to the items listed above.

NOTES:

1. Any act considered inconsistent with being a new Mexico resident—such as voting, securing and/or maintaining a driver's license and automobile registration in another state, etc.—will cause the petition to be denied.
2. The spouse and dependent children of a person who has moved to New Mexico and has obtained permanent full time employment (sufficient documentation is required) shall not be required to complete the 12-month durational requirement. However, all other requirements must be satisfied.
3. Any act considered inconsistent with being a New Mexico resident will cause the request for resident classification to be denied. As such, other relevant factors may be considered in addition to the items listed above. Students enrolling for 6 hours or less during a regular semester will be charged resident tuition rates regardless of residency classification.

According to the University of New Mexico's tuition policy:

Students enrolling for 6 hours or fewer during a regular semester will be charged resident tuition rates regardless of residency classification. Students enrolling for the summer session will be charged resident tuition rates regardless of residency classification.

A brochure explaining all requirements for establishing New Mexico residency and residency petitions are available from the Office of the Registrar, Student Services Office, lower level of Building 2. For more information, please call (505) 662-0332.

Academic Advisement

All freshmen and new transfer students are required to receive academic advisement before registering for classes. All students in Certificate and Associate Degree programs are required to receive advisement every semester prior to registration.

Schedule of Classes

The Schedule of Classes is an official publication of the University, distributed each semester without charge. The publication includes course offerings, dates, times, places and procedures for registration and other important information. The schedule can also be accessed at <http://www.la.unm.edu>

Registration Procedures

Details are outlined in the Schedule of Classes.

Lobo Card and LOBOCASH

A non-transferable photo identification card is issued to each student at The University of New Mexico. The ID card, also known as the Lobo Card, allows you to check out materials from UNM libraries; access recreational services, the Student Health Center, athletic events, and campus meal plans. The Lobo Card can also be used to access the student

The Lobo Card Office is located in the Student Union Building. The phone number is (505) 277-9970 and the Web site is lobocard.unm.edu. The following policies are in effect for the Lobo Card:

1. The Lobo Card is the property of the University of New Mexico.
2. The card is valid upon admission to the University; it is issued once, and is active upon a student's enrollment for the current semester. The Lobo Card remains valid for the duration of a student's college career and it activates and deactivates according to enrollment status. Lobo Card has no expiration date. You may obtain your ID at the Lobo Card office. Proper photo identification (driver's license, passport, other state/federal-issued identification, etc.) is required.
3. Lobo Cards are issued with the name of the student as recorded in the University's Student Information System.
4. Updating name or other student identifying information requires the change be reported to the Records and Registration Office prior to Lobo Card re-issuance.
5. Lost or stolen Lobo Cards must be reported as soon as possible to the Lobo Card Office.
 - a. A non-refundable, non-waiveable fee will be collected for replacement of damaged or lost cards.
 - b. Payment of a replacement fee constitutes authority for the de-activation and deletion of the missing identification card from The University of New Mexico's card database. Once that occurs, the old Lobo Card can never be reactivated.
 - c. Students should check with the card office to see if a lost card has been turned in.
 - d. Stolen cards should be reported to the appropriate law enforcement agency. A copy of the police report must be provided to the Lobo Card office to obtain a replacement identification card at no charge. Anyone filing a false police report will be subject to disciplinary and/or criminal charges.
6. Fraudulent use of a Lobo Card is cause for card

Student Services Information

privileges to be revoked. Unauthorized alteration, production, use, possession or reproduction of a LoboCard is prohibited, may constitute theft, and can result in prosecution (30-14-2 NMSA 1978). In addition, such action could be referred to the Associate Director for Student Services for disciplinary proceedings and/or appropriate authorities for legal action.

Payment of Tuition and Fees

Payment of tuition and fees is required to complete registration. For specific information regarding tuition, fees, payment and payment deadline dates, refer to the Financial Information section of the current Schedule of Classes.

Enrollment Limit

Students may not take more than 18 hours during a semester and 9 hours during the summer session, except with approval from the Director of Student Services. Students in non-degree status who have not earned at least a baccalaureate-level degree must obtain permission from their academic advisor.

Enrollment Certification

Enrollment Certifications are requested by individuals, institutions or organizations for information related to a student's past or current enrollment. Information requested normally takes the form of validation of confirmed degrees, dates of attendance or whether a student is full- or part-time.

The National Clearinghouse is now the University of New Mexico's authorized agent for providing enrollment and degree verifications. If an employer or background screening firm requests this information, please have them contact the National Student Clearinghouse at (703) 742-4200 or visit their Web site www.studentclearinghouse.org.

The University of New Mexico will produce a standardized enrollment certification document validating a student's status for the current semester, preregistered semester and any semester for the past four calendar years. If a student wishes to have their entire academic history certified or semesters not covered by the certification process, they must request a transcript. The University of New Mexico does not certify expected graduation date.

The certification document can be mailed on request or picked up with proper photo identification (driver's license, Lobo Card, passport or other state issue identification). This document will replace the institutionally specific forms. Students that request processing of specific forms will be required to pay \$10.00 per document to be processed.

The guidelines listed below are used primarily to determine enrollment status for financial aid eligibility and loan deferments. Graduate students with an assistantship must submit a copy of their contract with their verification request. Students withdrawing after the 6th week of classes will be subject to grades of WP (withdrawal passing) or WF (withdrawal failing). The grade WF is included in the

total course load for purpose of enrollment verification. WP is not included in the total course load for purpose of enrollment verification. Courses taken in Audit, Extension or Correspondence status are also not included in total course load, for purposes of enrollment verification.

Course Load Guidelines

Undergraduates/Non-Degree

1. Fall/Spring Semesters
 - a. Full-time: 12 or more credit hours.
 - b. Half-time: 6–11 credit hours.
 - c. Less than half-time: 5 or fewer credit hours.
2. Summer Session
 - a. Full-time: 6 or more credit hours.
 - b. Half-time: 3–5 credit hours.
 - c. Less than half-time: 1 or 2 credit hours.

Changes in Enrollment

Once registered, students may process schedule changes through the drop/add procedures during appropriate periods. Procedures for schedule changes and deadlines are published in the Schedule of Classes.

Summer Session and Short Courses.

Deadlines for processing drops, adds, withdrawals and grade options for summer and short courses vary according to the length of the course. Consult the *Schedule of Classes* for specific dates.

For 16-week courses, the following applies:

- **Add.** Students may add courses or change sections through the second week of the semester.
- **Drop.** A student may drop a course or courses without a grade during the first six weeks of the semester.
- **Withdrawal from a Course.** After the sixth week a student may withdraw from a course until the end of the 12th week of the semester and is subject to grades of WP or WF to be determined by the instructor at the time of the withdrawal. The WF will be calculated as a failing grade in the student's grade point average. After the 12th week, course withdrawals will only be accepted with approval from the Director of Student Services. No withdrawals will be accepted after the last day of instruction of the semester, prior to final exam week.
NOTE: Faculty are not responsible for dropping students who do not attend. It is the student's responsibility to check the accuracy of their course schedule.
- **Change in Grading Option.** Changes in grading option (including audit, pass-fail option, letter grade or graduate credit option) in any course may be made through the fourth week of the semester. It is the student's responsibility to make certain that they are registered in any course for the proper grading option.

- **Completion of Courses.** Students are responsible for

Student Services Information

completion of all courses in which they are enrolled at the University. Changes in enrollment, drops or withdrawals must be officially processed. A student not following proper course or University withdrawal procedures may be given a failing grade and will be responsible for tuition changes associated with the course.

Withdrawal from the University

- Students can withdraw from all courses on or after the first day of classes through the last day of classes prior to final exams by using <http://unm.edu/~unmreg/> or LOBOWeb/LOBOPhone (338-7900) and dropping all their courses. Students may contact the Director of Student Services (505) 661-4692 for advisement on withdrawing from all courses.
- Summer session and short courses follow a different deadline, please see the Schedule of Classes.
- Students who withdraw during the first six weeks of classes will not receive a grade notation on their academic record. The notation on a student's record will read "Withdrew" followed by the date.
- University withdrawals initiated after the sixth week of classes will be subject to grades of WP or WF. The WF will be calculated as a failing grade in the student's grade point average. All withdrawal grades will be assigned by the instructor upon completion of the University withdrawal process. The notation on a student's record will read "Withdrew" followed by the date, along with the course name and grade assigned.
- Students leaving the University during a semester without withdrawing according to this regulation are subject to faculty assigned grades.
- Students are responsible for all outstanding financial obligations when withdrawing. See the "Tuition and Course Fee Refunds" section for more information.

Policy on Military Withdrawals

Under faculty regulations, students who formally withdraw from the University before the end of the 12th week of the semester due to military obligations are entitled to a grade of WP in each course in which they are enrolled. Military orders or evidence of enlistment must be made available to the Dean of Students Office. A student who withdraws due to military obligations after completing 12 weeks of instruction will receive full credit for each course in which they are enrolled provided the instructor certifies a grade of C or better for the course at the date of formal withdrawal. They will receive a grade of WP if the instructor certifies a grade of less than C. Students must opt for either a tuition refund or for a grade assignment after the 12th week. A final semester senior who has satisfactorily completed at least half of the work in courses for which they are enrolled that semester, provided these would complete their degree requirements, may be certified for graduation by the

faculty of their college.

General Academic Regulations

Students are responsible for complying with all regulations of the University, their respective colleges and the departments from which they take courses, as well as for fulfilling all degree requirements. Students are responsible for knowing and complying with all academic regulations.

Change of College

Undergraduate students who desire to gain admission to a degree-granting unit or to change their enrollment from one degree program to another within the University must petition the Associate Director of Student Services. A change in degree program after the third week of the semester will not be effective until the following semester. At the time of graduation, students must be enrolled in the UNM-Los Alamos degree program from which they receive their degree.

Class Hours and Credit Hours

A class hour consists of 50 minutes. One class hour per week of recitation or lecture throughout a semester earns a maximum of 1 credit hour.

Course Numbering System

Courses offered at the University of New Mexico are numbered from 001 through 799:

- 001 to 100 courses may or may not carry credit, but they are not applicable toward a baccalaureate degree.
- 101 to 199 courses, lower division, normally are open to freshmen.
- 200 to 299 courses, lower division, normally are open to sophomores.
- 300 to 499 courses, upper division, normally are open to juniors and seniors, fifth year undergraduates and graduates
- 500 to 799, graduate and professional, normally are open only to students enrolled in the graduate degree programs, the School of Law or the School of Medicine.

NOTE: Undergraduate or non-degree students without a degree may not enroll in any graduate programs (courses numbered 591, 592 and 593) for undergraduate credit..

Freshmen may in some instances qualify for courses numbered in the 200s. Courses numbered 300 and above are not open to lower division students (freshmen and sophomores) except in rare instances and then only with the approval of the Bachelor and Graduate Program staff. When appropriate, students may be disenrolled from courses numbered 200 and above. See the individual program sections of this catalog and the UNM catalog for specific regulations.

Student Services Information

Grades

UNM-Los Alamos utilizes a fractionated grading system. Following are the allowable grades and associated grade points:

A+	4.33
A	4.00
A-	3.67
B+	3.33
B	3.00
B-	2.67
C+	2.33
C	2.00
C-	1.67
D+	1.33
D	1.00
D-	0.67
F	0.00

CR Credit. Gives credit for the course but is not computed in the grade point average. CR credit is the equivalent of at least a grade of C. At the graduate level CR is used to report completion of a master's thesis or doctoral dissertation. (See the following pages for specific information concerning pass/fail [CR/NC] option grading.)

NC No Credit. Not computed in the grade point average. At the graduate level NC is also used to report unsatisfactory completion of master's thesis or doctoral dissertation. Certain workshops and courses may be offered under CR and NC as defined above.

I Incomplete. The grade of I is given only when circumstances beyond the student's control have prevented completion of the work of a course within the official dates of a session. (See the policy on Removal of Incomplete.)

AUDIT Audit is recorded for completion of enrollment in an audited course. No credit is earned for an audit grade option.

WP Withdrawal Passing. All approved course withdrawals after the sixth week of classes are subject to the grade of WP, if passing the course at the time of withdrawal.

WF Withdrawal Failing. All approved course withdrawals after the sixth week of classes are subject to the grade of WF, if failing the course at the time of withdrawal. The grade of WF will be calculated as a failing grade in the student's grade point average.

WNC Withdrawal, No Credit. Not computed in the grade point average. WNC indicates officially withdrew with unsatisfactory (C- or below) performance in pass/fail (CR/NC) option enrollment or course approved for pass/fail (CR/NC).

W Withdrawal. A W grade is used for approved administrative withdrawals only at the end of a semester. Examples of administrative withdrawals include: determination by the instructor that the student never attended the class, processing errors, catastrophic illness of the student or other reasons beyond the student's control.

Grade Point Average

An undergraduate student's grade point average is calculated by dividing the total number of grade points earned at The University of New Mexico by the total number of hours attempted. These hours must be attempted in courses with letter grades and the courses must be numbered 100 or above. Courses for undergraduate students given a grade of W, WP, WNC, CR, NC, PR or I are excluded in the grade point average calculation. For graduate students, the Office of Graduate Studies, internally for their record keeping processes, calculates a grade of "I" as a 2.0 until replaced by another letter grade.

The grade point average and earned hours for unclassified, non-degree, certificate and associate degree students will include all course work taken at any level at the University of New Mexico. Upon the student's acceptance into a baccalaureate level program, all non-baccalaureate level courses will be excluded from the calculation of earned hours and grade point average.

The academic standing of all students is reviewed at the end of each semester and Summer session. At such times, all students who are deficient in scholarship are placed on probation, or suspended, in accordance with the regulations of their college.

NOTE: This is a general University of New Mexico grade point calculation. Schools and colleges within the University may compute the grade point average differently.

Grades earned in courses taken at other institutions are not included in calculation of The University of New Mexico- Los Alamos grade point average. The grade point average will reflect only courses taken at The University of New Mexico-Los Alamos.



Student Services Information

Grade Options

Pass/Fail (CR/NC) Option

1. This grading option is open to students enrolling in courses that do not apply to their major.
2. A student is permitted to enroll in a maximum of 4 credit hours per semester under the pass/fail (CR/NC) grading option.
3. CR (credit) is the equivalent of at least a grade of C. Students who do not satisfactorily complete a course under pass/fail (CR/NC) grading will receive NC (no credit).
4. A course may be changed to the pass/fail (CR/NC) grade option. See current *Schedule of Classes* for deadlines.
5. A maximum of 24 credit hours graded pass/fail (CR/NC) will be allowed toward a baccalaureate degree. Graduate students may not count more than 6 hours of course work in which a C (2.0), C+ (2.33) or CR was earned.
6. Courses that are specifically approved for pass/fail (CR/NC) are not included in the 24-hour maximum allowed toward degree requirements.
7. The following may not be taken under the pass/fail (CR/NC) option:
 - a. Courses in the University Honors Program and the Undergraduate Seminar Program.
 - b. Courses that are part of the student's major (as defined by the major department) with the exception of those courses especially approved for use of pass/fail (CR/NC) grading.
 - c. Courses that are part of the student's minor (see specific college and departmental requirements).
 - d. Correspondence courses.
 - e. Courses the student is repeating after first having taken the course under the regular grading system.

Some schools, scholarship committees and honorary societies do not accept this grading system and convert grades of "Credit" to C and "No Credit" to F when computing grade point averages or may otherwise penalize students who use this option.

NOTE: Students may not be penalized by a department if, when selecting or changing a major field, they have taken a course in their major on a pass/fail (CR/NC) option basis.

Audit

A student may register in a course for audit, provided written permission of the instructor is obtained. (See current *Schedule of Classes* for deadlines.) A student who fails to attend class may be dropped at the instructor's request. **The fee for audited courses is the same as for credit courses.**

Audit enrollment receives no credit and is not included in the student's total course load for purposes of enrollment certification. Audited courses appear on the academic record. Courses taken for Audit may be repeated for credit.

Repetition of a Course

A student may repeat any course but will receive credit only once unless otherwise noted in this catalog. **ALL ATTEMPTS** and **ALL GRADES** are computed in the student's grade point average. A grade replacement policy is available for repeated course work as described below.

Grade Replacement Policy

The course repeat policy was revised by the Faculty Senate to include a grade replacement option effective Spring semester 1991. Under this policy, only undergraduate students may repeat a course for a higher grade and have the lower grade removed from the grade point average. This revision is an option for students who meet the criteria outlined below. Repeated courses for students who do not meet the criteria or who choose not to make use of the option automatically fall under the existing policy as described under "Repetition of a Course."

The following outlines the procedure for the implementation of this course repeat (grade replacement) option. **NO EXCEPTIONS WILL BE MADE TO THIS POLICY.**

1. The Grade Replacement option policy is effective as of Spring semester 1991 and only affects UNM course work from Spring 1991 forward. This means that the first attempt in a course cannot have been prior to Spring semester 1991. The policy is not retroactive to any semester prior to Spring 1991.

* A student who fails a course at The University of New Mexico and repeats the same course with a grade of C or better at another college or university may have the credit accepted for transfer, but the grade received at The University of New Mexico will continue to be computed in the grade point average.

2. Students who are in undergraduate status are eligible to use this policy and only course work being applied toward an undergraduate degree will be considered for a grade replacement.
3. A repeated course must result in an improved grade in order to replace the other grade (e.g., a D cannot replace a D). The higher grade will remove the lower grade from the grade point average and earned credit hours. Grades of **CR, NC, PR, WP and W** are not replaceable grades since they do not affect the grade point average.
4. **The process is not automatic. Students must initiate the process by completing a form in the Student Services Office, indicating which course is to be replaced. The course numbers and titles must be identical, except where equivalencies or a change has been noted in The University of New Mexico-Los Alamos Catalog. No substitute courses are acceptable.** Forms will be

Student Services Information

accepted after the second attempt in the course has been completed.

5. A grade replacement may be applied to only 12 hours of repeated course work. Only one grade replacement is allowed for each course, regardless of the number of times the course has been repeated.
6. Once a grade replacement has been approved, the process cannot be reversed or changed.
7. **No grade may be replaced after a degree has been awarded.**
8. All grades will remain on the record. An "N" will appear on the transcript next to the course that has been replaced.

NOTE: This policy applies only to courses taken and repeated at The University of New Mexico or one of its branches.

Incomplete (I) Grade

According to academic policy, incomplete grades must be completed before a student is eligible to graduate from the University of New Mexico-Los Alamos.

The grade of "I" is given only when circumstances beyond the student's control have prevented completion of the coursework within the official dates of a semester/session.

Students should not re-enroll or re-register (for credit) in a course in which an incomplete has been received in order to resolve the "I" (incomplete) grade. If an instructor requires the student to repeat the class in order to resolve the Incomplete, the student must register for the course on an audit basis.

Incomplete grades received Summer 2005 and after must be resolved no later than one year (twelve months) from the published end day of the semester in which the grade was assigned. Incomplete grades not resolved within the time frame stated in this policy will be converted automatically to a F (failure) grade.

Incomplete grades prior to Summer 2005 must be resolved by the published ending date of the next semester in attendance or within the next four semesters if the student does not re-enroll in residence. An Incomplete may be resolved even though a student is not enrolled in residence. Incomplete grades not resolved within the time frames stated in this policy will be converted automatically to F (failure).

Students resolving Incompletes in their semester of graduation must have the process completed (including the reporting of the grade to the Student Services, Building 7) by the deadline. Students are responsible for informing instructors that they are graduating and the grade(s) must be reported by the appropriate deadline. Failure to complete the process as described could result in the postponement of graduation until the following semester.

The instructor of record will report the final grade for the course in which the Incomplete was assigned to Student Services

Extension of Incomplete

A student may apply for an extension of the time allowed to complete the required course work removing the "I" grade. The request for extension may be obtained in the Office of Records and Registration. For the student who re-enrolls in residence, a one-semester extension may be granted. If an extension is granted, it is the student's responsibility to remove the "I" grade by the date indicated.

Change of Grade

The instructor of a course has the responsibility for any grade reported. Once a grade has been reported to the Student Services Office, it may be changed by submitting a grade change form to the Student Services Office. Only the instructor who issued the original grade (instructor of record) may submit any change. The change of grade must also be approved by the college dean or departmental chairperson **if submitted 30 days after end of semester. Any change in grade must be reported within 12 months after the original grade was issued and prior to graduation.** Grade changes may be referred to the Student Services Office for approval.

Grade Petition Procedure

1. A student seeking retroactive withdrawal, enrollment or disenrollment; extension of time for removal of an incomplete grade or a grade option change; or further academic record changes involving exceptions to the rules governing registration and academic records, may submit petitions to the Student Services Office. **This petition process does not cover disputes involving academic judgment (Refer to the UNM Pathfinder, "Student Grievance Procedure," Article 2, Academic Disputes).**
2. The petition must state the nature of the request, specify the semester involved, the course and section number, the student's name, identification number, mailing address and telephone number. The petition must also state the reason for granting the request and include documentation of extenuating circumstances, such as medical, family or employment needs. The petition must be typed and signed.
3. Students may only petition grades up to one year after an instructor and dean grade change form can be utilized to change a grade. (Effective as of April 2005 as approved by Faculty Senate Operations Committee.) This means no grade change can be petitioned after two years in which the course(s) was/were taken.
4. Upon receipt of student's petition, the instructor(s) involved will be contacted for a statement concerning the request.
5. The petition (along with instructor comments) will be forwarded to the Grade Petition Committee for review and a decision. If the petition is approved, appropriate

Student Services Information

modifications will be made to the student record. The student is responsible for tuition incurred.

6. Students will be notified in writing of the outcome of the petition. The decision of the subcommittee is final.
7. The student is responsible for tuition and fees incurred.

Academic Renewal Policy

Academic Renewal applies to students seeking undergraduate degrees who have been readmitted to UNM-Los Alamos after an absence of **five years** or more. The procedure allows a currently enrolled student to request their academic record be reviewed for the purpose of evaluating previously earned UNM-Los Alamos credits and recalculating the student's grade point average from the point of re-admission.

The student may obtain a petition from the Student Services Office, lower level of Building 2. If all criteria are satisfied, the petition will be approved and the academic record appropriately noted.

Academic Renewal Guidelines

NOTE: Non-degree, second undergraduate degree or graduate students are not eligible for Academic Renewal.

1. Academic Renewal may be applied only once and is not reversible.
2. An absence of five or more years must have elapsed between readmission and the last enrollment at UNM-Los Alamos.
3. The student must be currently enrolled in an undergraduate degree program. Additionally, college entrance requirements such as minimum hours and grade point average must still be met after Academic Renewal has been applied.
4. After readmission to UNM-Los Alamos, at least 12 credit hours, but no more than 36 credit hours, must be completed in good standing (2.00 GPA or better) before Academic Renewal can be applied.

NOTE: If the degree-granting unit has placed the student on probationary status, it is not automatically changed by Academic Renewal.

5. All graduation requirements must be satisfied after Academic Renewal, i.e., minimum earned credit, residence credit requirement, cumulative grade point average, etc.
NOTE: Credit earned prior to Academic Renewal will not count toward satisfying the residence credit requirements.
6. All courses taken prior to Academic Renewal will remain unaltered on the record. An appropriate notation will be added to the record to indicate Academic Renewal. Courses with a grade of C or CR or better taken prior to Academic Renewal will be carried forward as earned credits. Acceptability of

these credits towards a degree will be determined by the degree-granting unit.

7. Courses with a grade of C- or below taken prior to Academic Renewal will be noted and will not count for earned credits or for satisfying any graduation requirements.
8. Academic Renewal, when applied, will be effective as of the date of the readmission following the five-year absence.
9. The cumulative grade point average after academic renewal will be calculated on the basis of courses taken since the readmission following the five-year absence.

Classroom Conduct

The instructor is responsible for classroom conduct, behavior and discipline. Any action that would disrupt or obstruct an academic activity is prohibited. The instructor may refer situations involving classroom misconduct to the Dean of Instruction or Director for Student Services for additional action under the "Student Code of Conduct" as published in the *UNM-LA Student Handbook*.

Use of classrooms or other facilities during scheduled activities is limited to enrolled students and University personnel. Use of these facilities during nonscheduled periods should be arranged with the appropriate department or other division of the University.

Smoking, eating and drinking are prohibited in all classrooms and teaching laboratories, including seminars.

Dishonesty in Academic Matters

Each student is expected to maintain the highest standards of honesty and integrity in academic and professional matters. The University reserves the right to take disciplinary action, including dismissal, against any student who is found responsible for academic dishonesty. Any student who has been judged to have engaged in academic dishonesty in course work may receive a reduced or failing grade for the work in question and/or for the course.

Academic dishonesty includes, but is not limited to, dishonesty in quizzes, tests or assignments; claiming credit for work not done or done by others; hindering the academic work of other students; and misrepresenting academic or professional qualifications within or outside the University.

Misrepresentation

Nondisclosure or misrepresentation in filling out applications or other University records will make a student liable for disciplinary action, including possible dismissal from the University.

Student Services Information

Scholastic Regulations

Attendance

Policies regarding student attendance at class meetings are set by each instructor. **Students should not assume that nonattendance will lead to being dropped from class. It is the student's responsibility to initiate drops or complete withdrawals utilizing <http://unm.edu/~unmreg/> or LOBOWeb/LOBOPhone (246-2020).**

A student with excessive absences may be dropped from a course with a grade of WF, upon recommendation of the instructor. Instructor initiated drops will be submitted to the Registrar's Office.

Dismissal

Students are subject to dismissal from a college or a degree program based on minimum requirements set by that college or program. Please refer to each college section in the *UNM Catalogue* and the program section of this catalog for specific requirements. Dismissal from a college or degree program is not the same as suspension but may preclude the student from enrolling at the University.

Probation

Probationary status serves as a warning to students that they are no longer in good academic standing and that they may be suspended.

Undergraduate students who have 30 or fewer attempted hours must have a cumulative grade point average of at least 1.70 to be in good standing. Thereafter, the cumulative grade point average to remain in good standing is at least a 2.00.

Undergraduate students are placed on probation at the end of any semester (or Summer session) for which their cumulative grade point average falls below these minimum requirements. Special requirements may be placed on students who are on probation.

Degree-Granting Programs and Non-Degree Status.

Students in degree-granting programs or in non-degree status may be placed on academic probation at the end of any semester if they fail to meet the minimum cumulative grade point average required to remain in good standing in their program. The minimum grade point average is at least a 2.00 but is higher in some programs. Students must familiarize themselves with the academic regulations of their program.

Suspension

Students on suspension may not enroll for classes at UNM-Los Alamos until their suspension period has been completed.

Degree-Granting Programs and Non-Degree Status.

Students are eligible for suspension after a semester on

probation if their cumulative grade point average remains below the minimum required to be in good standing in their college.

Suspension Period.

Students suspended for the first time may not enroll for classes at the University of New Mexico-Los Alamos for a period of one semester from the date of the suspension.

Students suspended for the second time may not enroll for classes for a period of two semesters from the date of the suspension. Students suspended for the third time may not enroll for classes for a period of five academic years from the date of the suspension.

NOTE:

1. Summer sessions are counted with the following fall semester for purposes of this policy, e.g., a student suspended at the end of a spring semester may not attend either the following summer session or fall semester.
2. Students absent from the University for a year or more, for suspension and/or any other reason, must reapply for admission to the University.
3. Students who are accepted for readmission after suspension will be readmitted on probation in the accepting college.
4. College deans may specify the number of hours for which a student may enroll following a suspension. They may also require students to drop hours or courses that seem beyond their abilities.
5. Attendance at another institution during suspension must be indicated on the student's application for readmission and an official transcript must be sent to the Student Services Office as part of the reapplication.

Student Financial Aid

A college education is an investment in your future. It is an investment that will pay increasing dividends in earning power and in the quality of your life. The basic premise underlying student financial aid is that the primary responsibility for a student's education rests with his or her family. When the resources of the family are not sufficient to meet college costs, the student may be eligible to receive financial assistance. This aid may come in the form of scholarships, grants, work programs and/or student loans.

If you feel you may need financial help to pay for college expenses, you should apply for financial aid to determine your eligibility. The following information will explain the application process and answer questions about costs to attend and financial aid at UNM-Los Alamos. To maximize your opportunity for funding, your application must be received by March 1. You must also respond to any request for additional information in a timely fashion. Pell Grants and Direct Student Loans remain available to eligible students

Student Services Information

who submit applications after the March 1 priority date.

The Free Application for Federal Student Aid (FAFSA) is used to apply for all types of federal and state need-based aid. Students can apply for financial aid on the Web or by completing the paper application. We encourage students to apply on the Web. The address is: <http://www.fafsa.ed.gov>. UNM-Los Alamos' Federal School Code is 002663. All prospective students must be admitted to UNM-Los Alamos to receive an offer of financial aid.

The costs of attending UNM-Los Alamos include: 1) tuition and fees; 2) room and board; 3) books and supplies; 4) transportation; 5) personal expenses; and 6) child care costs, if applicable.

To be considered for financial aid, students must apply every year.

For additional information regarding costs and financial aid at The University of New Mexico-Los Alamos, please access our Web page at: www.la.unm.edu.

Satisfactory Academic Progress

To retain eligibility for financial aid, students must re-establish their need for funds by submitting the FAFSA application each year, and they must meet a minimum standard of academic performance in their course work and progression toward a degree. All students will have their academic progress monitored each semester to determine continued eligibility for assistance. There are three major components to UNM-Los Alamos' Satisfactory Academic Progress Policy:

Grade Point Average: Students are required to maintain a grade point average consistent with graduation requirements for their major as follows:

- While completing the first 30 credit hours as an undergraduate, a student must attain a minimum 1.7 GPA.
- Students with more than 30 credit hours must sustain a minimum 2.0 GPA.
- Graduate students must sustain a minimum 3.0 GPA.
- Law, Medical and Doctor of Pharmacy students must sustain a minimum 2.0 GPA.

Completion rate: Students must successfully complete at least 67% of the total credit hours they attempt. Classes in which grades of A, B, C, D or CR are earned will be considered completed. Repeated courses were already counted as completed, and will not be counted twice. All attempted credit hours from any college (including non-degree hours) are counted whether or not financial aid was received. This calculation includes all hours in which a student is registered at the time of withdrawal. Remedial classes and English as a Second Language (ESL) classes are also counted as attempted credit hours. Courses taken for AUDIT are not counted in the student's total course load for purposes of financial aid eligibility. For graduate students, 100- and 200-level classes count as hours attempted, but not hours earned, because they

will not count toward the completion of a graduate degree.

Maximum time frame: Undergraduate students must complete their program of study within 150% of the published length of the program, measured in credit hours attempted. Example: if the published length of the academic program is 66 credits, the maximum time frame for completion is 99 attempted credits. All attempted credit hours from any college, including non-degree hours, and hours attempted in completing a prior certificate or degree will count toward the maximum allowable credits regardless of whether financial aid was received. Courses with assigned grades of F, WF, W, WP, I, NC and "repeated" courses all count as attempted credit hours. In addition, remedial classes and ESL classes are counted in this calculation, even though these classes do not count toward the student's graduation requirements. To receive financial aid, graduate students must complete their degree within the maximum time frame allowed by their graduate program.

Enrollment Requirements for Financial Aid

To receive financial aid, students must generally be enrolled at least half-time as a regular student in an eligible program. Scholarships generally require full-time enrollment. Courses taken as audit are not included toward financial aid enrollment requirements. Award amounts are generally prorated according to enrollment status.

The student is responsible for meeting minimum enrollment requirements. Students knowingly receiving aid to which they are not entitled may be in violation of University policy and state or federal laws. If you have any questions please contact the Financial Aid Office.

Enrollment Requirements

Undergraduate Students

Full-time 12 hours

Half-time 6 hours

Graduate Students

Full-time 9 hours

Half-time 5 hours

Non-resident Students

The student is responsible for obtaining the correct residency classification prior to the end of the second week of the semester. A student not classified as a New Mexico resident will be charged as a non-resident. Please refer to the Residency section in this catalog.

Student Services Information

Federal Student Loans

The University of New Mexico is no longer a participant in the William D. Ford Direct Loan Program. Federal loans are now serviced by New Mexico Student Loans. Students wishing to borrow can contact the Financial Aid Office for more information.

Typical Sources of Financial Aid

Program	Per Academic Year	Award Amount
Federal Pell Grant	Maximum	\$ 4,731
Federal Supplemental Ed. Opportunity Grant	Maximum	\$ 1,000
State Student Incentive Grant	(Based on 2007-2008)	\$ 1,500
UNM-LA Bridge to Success Scholarship	Tuition Amount	Tuition Amount
UNM Lottery Scholarship	Tuition Amount	Tuition Amount
Federal /State College Work-study		
	Undergraduate	\$ 4,000
	Graduate	\$ 5,000
Federal Perkins Loan	Maximum	\$ 4,000
Federal Stafford Loan (Subsidized)		
	Freshman	\$ 3,500
	Sophomore	\$ 4,500
	Junior/Senior	\$ 5,500
	Graduate/Professional	\$ 8,500
Federal Stafford Loan (Unsubsidized)		
	Freshman	\$ 9,500*
	Sophomore	\$10,500*
	Junior/Senior	\$12,500*
	Graduate/Professional	\$20,500*
<u>*Minus any subsidized amount borrowed</u>		
PLUS Loans (Parent Loan for Undergraduate Students)	Cost of Education minus financial aid awarded	

Student Employment

Students seeking part-time employment while attending UNM-Los Alamos may apply for a work-study position. Stop by the Financial Aid Office to see what positions are available.

Payment by Financial Aid:

Financial Aid disbursement is done during the second week of class.

- Registered students should use LOBOWeb to obtain information as to required payment and anticipated financial aid.
- Student charges for any services, sales or fines will be collected from the first available source of financial aid (grants, scholarships or loans) even if due date is later than aid release date.
- Students must be registered full time prior to receiving

aid or have Financial Aid adjust required number of hours to be eligible for aid.

It is your responsibility to visit the Financial Aid Office to be certain your aid will be available, and you will not be disenrolled. If a delay in receipt of your financial aid occurs, you may wish to complete a promissory note application and pay the first installment and any processing fees at the Cashier's Office to avoid disenrollment.

College Work-Study awards will not be considered in arranging for payment.

If your tuition has been deferred based on financial aid, and you decide not to attend the University of New Mexico-Los Alamos, you must officially withdraw through <http://unm.edu/~unmreg/> prior to the 100% refund deadlines online in the Schedule of Classes at www.la.unm.edu.

Crediting Financial Assistance to a Student's Account

Students who are receiving financial assistance through programs detailed below will have their awards automatically credited to their accounts beginning on the Friday before classes if financial aid has been approved and awarded.

These programs include:

1. PELL Grant
2. Supplemental Educational Opportunity Grant (SEOG)
3. State Student Incentive Grant (SSIG)
4. Federal Perkins Loan
5. Other Grants and Scholarships
6. FFELP Loans/LINK Loans

Financial assistance awards will not be credited to a student's account until the student has registered for the required number of hours and has met all respective financial assistance source program requirements. Students will receive any remaining balance after deductions of current and past due charges through Direct Deposit by visiting <http://my.unm.edu>. If not signed up for Direct Deposit students will receive funds in a refund check sent to his or her mailing address of record, after the third week of class.

Students who are eligible for and will be receiving funds from external scholarships will not have those funds automatically credited to their accounts but must visit the Financial Aid Office to have scholarships applied to their account and/or receive any surplus funding.

After Financial Aid has processed external scholarships and sent checks to the Cashier's Office, each student must visit the Cashier's Office to endorse the check(s).

Finding Out About UNM-LA

The Student Services Office located in the lower level of Building 2, (505) 662-0332, provides general undergraduate information about the University to prospective students. This information includes degree and course offerings, admission requirements and procedures, expenses, financial

Student Services Information

aid, scholarships, registration, housing, and special services and programs.

With sufficient notice, the Student Services Office can arrange for appointments with faculty, academic advisors, admissions officers, University representatives and a tour of the residence halls and the campus through the Campus Visit Program.

Emergency Message Service

The Emergency Message Service is provided to reach students on campus. When an emergency arises, call (505) 662-0332. The staff will then access the student's schedule from the database file and determine if it is possible to reach the student in class. A staff member then takes a message directly to the student's classroom. The responsibility of informing family, friends, schools and day care centers of this service and its corresponding phone number rests with the student.

New Student Orientation

Orientation is designed to assist new students in making a successful transition into the University. The orientation programs include information on UNM-Los Alamos' services and policies, academic advisement, registration and strategies for coping with college. Attendance at an orientation program is required for all beginning freshmen and transfer-freshmen students. It is an ideal time to begin exploring your new environment. The program is coordinated by the Student Services Office, located in the lower level of Building 2, (505) 662-0332.

Student Attendance/Class Absences

Students are expected to attend all meetings of the classes in which they are enrolled. Absences due to illness, or to authorized University activity such as field trips, athletic trips, etc., are to be reported by the student to his/her instructor(s). If a student is unable to contact his/her instructor(s), the student should leave a message with the Office of Instruction. The reporting of absences does not relieve the student of responsibility for missed assignments, exams, etc. The student is to take the initiative in arranging with his/her instructor(s) to make up missed work, and it is expected that the faculty member will cooperate with the student in reasonable arrangements in this regard. Verification (such as doctor's note, hospital billing, military orders, death notices, etc.) of a student's report of absence should be provided on request. The Office of Instruction is located in Building 1, (505) 662-0331.

The UNM Directory

A directory listing departments, faculty and staff members, as well as each student's local and home address, telephone number, academic classification and University of New Mexico e-mail address, is published by Computer and Information Resources and Technology (CIRT). Students can request that their listing be deleted from the directory by completing a form at the Student Services Office in the lower level of Building 2. The directory is also published online at <http://www.unm.edu/phone.html>.

UNM Pathfinder

The UNM Pathfinder is the most comprehensive handbook of student services at the University of New Mexico. It is published annually by the Student Activities Center. The UNM Pathfinder gives general information, including office locations and telephone numbers, about academic support and cultural programs, athletics and recreation, student organizations, entertainment, financial services, food, health and medical assistance, housing, the University of New Mexico policies affecting students, commuting and parking and other services and programs. The Pathfinder is available online at <http://pathfinder.unm.edu/>

Other Publications

Other publications include the UNM-LA Schedule of classes, published two times per year, which contains class schedules and up-to-date information on a variety of topics; and Stall News, a list of events and things to know posted in campus restrooms.

UNM-LA Website at www.la.unm.edu

The campus website contains the most update information about UNM-LA, including updated class schedules, the UNM-Los Alamos Catalog and information about campus events and other news.

Student Services Information

Student Organizations

Student Government

The UNM-Los Alamos Student Government represents students' voices to the campus administration and faculty. We collaborate with administration to support and fund social and academic activities. We provide a venue of communications and are committed to the benefit of students. To gain leadership skills, become acquainted with administration and work with fellow students to make a better UNM-Los Alamos experience, run for Student Government positions. This is your campus, so make your voice heard!

Phi Theta Kappa

Membership in Phi Theta Kappa International Honor Society will open new doors for your academic journey.

To be eligible for membership:

- You must be enrolled in a regionally accredited institution offering an associate degree program
- You must have completed at least 12 hours of coursework leading to an associate degree program (part-time students may be eligible)
- You must generally have a grade point average of 3.5
- You Must enjoy full rights of citizen ship in your country

Check out the Phi Theta Kappa website for more information at: www.ptk.org/members/benefits.htm

Start a Club

Contact Student Services for forms and information about starting a student club.



Degrees and Certificates

DEGREES

Associate of Arts:

Early Childhood Multicultural Education
(Bernalillo Site Only)
Liberal Arts
Pre-Business Administration
Pre-Professional Elementary Education
(Bernalillo Education Center Only)
Southwest Studies
Studio Art

Associate of Sciences:

Environmental Science
Pre-Engineering
Science

Associate of Applied Science:

Accounting
Business:
Marketing Concentration
Management Concentration
Computer Science:
Programming Concentration
Game Development and
Interactive Simulation Concentration
Digital Media Arts
Electro Mechanical Technology
General Studies
Network Administration:
Windows Concentration
LINUX/UNIX Concentration
Office Communications and Technology
Technical Support
Web Technologies:
Web Design Concentration
Web Development Concentration

ACADEMIC CERTIFICATES

Accounting
Business:
Marketing Concentration
Management Concentration
Computer Science:
Programming Concentration
Game Development and Interactive Simulation
Concentration
Digital Media Arts
Early Childhood Multicultural Education
(Bernalillo Education Center Only)
Pre-Professional Elementary Education
(Bernalillo Education Center Only)
Electro Mechanical Technology
Materials Science Technology
(Not currently taking new applicants)
Network Administration:
Windows Concentration
LINUX/UNIX Concentration
Office Communications and Technology
Southwest Studies
Studio Art
Technical Support
Web Technologies:
Web Design Concentration
Web Development Concentration

EMPLOYABILITY CERTIFICATES

Windows System Administration
UNIX/Linux System Administration
Office Administration
Accounting
Management
Graphic Designer
Photoshop Specialist
Web Developer
Web Designer

Community Education – Workforce Training

Early Child Care Certificate
Paralegal Certificate Training
Project Management

Associate Degrees and Certificates

The Associate of Arts and Associate of Science degrees are designed for students who intend to transfer to a four-year college or university, with the transfer of credits subject to the receiving institution's policies. Generally, institutions within the state have articulated courses and programs to effect an easy transition. The University of New Mexico has adopted a Core Curriculum, which all students must complete as part of a UNM baccalaureate program. The Core consists of approximately thirty-seven hours of courses in seven areas of study, with some noted exceptions. Students may apply AP or CLEP credit to the Core requirements. Departments and colleges may restrict student choices within the Core to meet departmental and college degree requirements. A grade of C (not C-) in each course is required to fulfill the requirements of the Core Curriculum.

The Associate of Applied Science degree is designed to provide employment skills for the student. While not usually intended for transfer, specific courses within the degree may transfer depending on the receiving institution. Students planning to transfer to a four-year institution should confer with an academic advisor regarding transferability.

Certificates in many programs are designed primarily for students not currently pursuing an associate degree. Courses taken as part of a certificate program are accepted toward an associate degree in that field, as long as the grade earned is a C or better.

All degrees and certificates offered by UNM-Los Alamos are listed on the following pages. This list may not be complete because this catalog and program development is ongoing. Students should check with an academic advisor, curriculum coordinator, or division head for program changes.



Associate Degree and Certificate Program Requirements

Associate degree curricula require a variety of courses to broaden students' understanding of the world as well as prepare students for employment or advanced study in their fields. Curricula therefore stress the student's major subject, but also include General Education courses under seven general headings:

1. **Writing and Speaking: Communication and Journalism, English, Linguistics**
2. **Humanities: American Studies, History, Foreign Language, Literature, Philosophy**
3. **Social and Behavioral Sciences: Psychology, Economics, Geography, Political Science, Sociology, Anthropology**
4. **Physical & Natural Sciences: Astronomy, Chemistry, Earth and Planetary Science (geology), Environmental Science, Physics, Biology, Natural Sciences, Anthropology**
5. **Mathematics: Mathematics and Statistics**
6. **Foreign Language: Spanish and Portuguese, Russian, French, German, Japanese, Sign Language**
7. **Fine Arts: Art History, Art Studio, Film, Music, Theater, Studio Courses**

General education requirements vary for different majors (from college to college). Please follow the appropriate recommendations for degree programs. Advisors can assist students with their selections.

Before a degree and/or certificate program is granted by UNM-Los Alamos students must complete the following requirements:

1. **Complete the number of credit hours and specific course requirements as outlined for the degree or certificate.**
2. **Earn a minimum of 15 credit hours for the degree and/or 9 credit hours for the certificate in residence at UNM-Los Alamos.**
3. **Complete all required coursework for the degree or certificate with a minimum of 2.0 cumulative grade point average (GPA) except as noted for specific programs.**
4. **No basic skills courses (e.g., ENGL 099, ENGL 100, etc.) are accepted toward the number of credit hours required for graduation.**
5. **Individual departments may require a higher grade on specific courses.**
6. **All students planning to apply their courses to a second degree are expected to earn a "C" or higher in all courses.**

If a student is interested in transferring Core Curriculum courses to another institution or another degree, a "C" or better in each course is required.

For students seeking a career in the health sciences (i.e., nursing, pharmacy, physical/occupational therapy), UNM-LA offers the first two years of study through individual course work. Students should meet with an advisor to customize an individual program of study to meet requirements for transfer into a health science major at a four year institution.

Associate Degrees

Associate of Arts in Early Childhood Multicultural Education

Offered only at UNM-Los Alamos Bernalillo Site

About the Program

The Early Childhood Multicultural Education program is designed for individuals who wish to work in the field and/or continue their studies towards a baccalaureate degree. The baccalaureate program at the University of New Mexico in ECME leads to licensure for teachers working with children from birth to age eight. This associate of arts degree, plus experience, meets the requirements for qualifying as a center director as specified in the New Mexico Child Care Facilities Licensing Regulations. The program addresses the seven general early child education competency areas. Students seeking to transfer are encouraged to consult with an academic advisor.

Specific Requirements

1. A minimum of 67 credit hours with a minimum grade point average of 2.0.

At least 15 of 67 credit hours must be UNM-LA Catalog credit courses taken in residence.

2. Writing and Speaking (9 credit hours)

ENGL 101: Composition I: Exposition (3)
ENGL 102: Composition II: Analysis and Argument (3)
CJ 130: Public Speaking (3)

3. Mathematics (3 credit hours)

STAT 145: Introduction to Statistics (3)

4. Laboratory Sciences (8 credit hours)

Select from the following:

BIOL 110/112L: Biology/Biology Laboratory (Non-Majors) (3/1)
BIOL 201: Molecular and Cell Biology (4)
BIOL 202: Genetics (4)
CHEM 111L: Elements of General Chemistry (4)
CHEM 121/123L: General Chemistry I(3)/General Chemistry I Lab (1)
CHEM 122/124L: General Chemistry II(3)/General Chemistry II Lab (1)
ASTR 101/111L: Introduction to Astronomy/Astronomy Laboratory (3/1)
PHYC 102/112L: Introduction to Physics/Physics Laboratory (3/1)
EPS 101/105L: Physical Geology/Physical Geology

Laboratory (3/1)

ENVS 101/102L: The Blue Planet/Blue Planet Lab (3/1)

5. Social/Behavioral Sciences (6 credit hours)

Select from the following:

ANTH 130: Cultures of the World (3)
ECON 105: Introductory Macroeconomics (3)
ECON 106: Introductory Microeconomics (3)
POLS 200: American Politics (3)
PSY 105: General Psychology (3)
SOC 101: Introduction to Sociology (3)

6. Humanities/Fine Arts (9 credit hours)

Select from the following:

ARTH 101: Introduction to Art (3)
ENGL 150: The Study of Literature (3)
ENGL 211: Topics in Literature (3)
HIST 101L: Western Civilization (3)
HIST 102L: Western Civilization (3)
HIST 161L: History of the United States (3)
HIST 162L: History of the United States (3)
HIST 260: History of New Mexico (3)
MUSE 298: Music for Elementary Teachers (3)
PHIL 156: Reasoning and Critical Thinking (3)
THEA 122: Introduction to Theatre (3)

7. Foreign Language (3 credit hours)

8. Education (29 credit hours)

ECME 101: Child Growth, Development and Learning (3)
ECME 103: Health, Safety and Nutrition (2)
ECME 111: Family and Community Collaboration I (3)
ECME 115: Guiding Young Children (3)
ECME 117: Curriculum Development and Implementation I (3)
ECME 117L: Curriculum Development and Implementation Practicum I (2)
ECME 202: Introduction to Reading and Literacy Development (3)
ECME 217: Curriculum Development and Implementation II (3)
ECME 217L: Curriculum Development and Implementation Practicum II (2)
ECME 220: Assessment of Children and Evaluation of Programs I (3)
ECME 230: Professionalism (2)

Associate of Arts in Liberal Arts

Note: See Advisor for Public Safety Professionals program

About the Program

The Associate of Arts in Liberal Arts is a degree program for students who desire a broad background and comprehensive grounding in the Arts and Humanities. As a terminal degree, it will provide students with a basic educational framework of value in a variety of fields including the arts, education, research, and business. As a transfer degree, its earned credits are the equivalent of the first two years of course work in the College of Arts and Sciences, preparing students to choose a major field.

Specific Requirements

1. A minimum of 66 credit hours with a minimum grade point average of 2.0.

At least 15 of these 66 hours must be UNM-LA catalog credit courses taken in residence.

2. Writing and Speaking (9 credit hours)

including:

ENGL 101: Composition I: Exposition (3)

ENGL102: Composition II: Analysis & Argument (3)

Select from the following:

ENGL 219: Technical Writing (3)

ENGL 220: Expository Writing (3)

CJ 130: Public Speaking (3)

PHIL 156: Reasoning and Critical Thinking (3)

3. Fine Arts (6 credit hours)

Select from the following:

ARTH 101: Introduction to Art (3)

ARTH 201: History of Art I (3)

ARTH 202: History of Art II (3)

MA 210: Introduction to Film (3)

MUS 139: Music Appreciation (3)

THEA 122: Theatre Appreciation (3)

or

an approved studio course

4. Mathematics (3 credit hours)

MATH 107: Problems in College Algebra (1)

and

MATH 121: College Algebra (3)

or

STAT 145: Introduction to Statistics (3)

or higher

5. Physical and Natural Sciences (7 credit hours)

Select courses, one of which must include a lab, from the UNM Core Curriculum in physical and natural sciences.

6. Social and Behavioral Sciences (6 credit hours)

Select courses from UNM Core Curriculum in social and behavioral sciences.

7. Humanities (6 credit hours)

American Studies 186;

Classics 107, 204, 205;

Comparative Literature and Cultural Studies 224;

English 150, 292, 293;

Foreign Languages (M Lang) 101;

History 101L, 102L, 161L, 162L;

Honors Legacy Seminars at the 100- and 200-level;

Philosophy 101, 201, 202;

Religious Studies 107, 263, 264.

8. Foreign Language (3 credit hours)

Select one course from any of the 100- or 200-level non-English language offerings as specified in the UNM Core Curriculum Foreign Language.

9. Liberal Arts Electives (3 credit hours)

Select one additional course from the UNM Core Curriculum in Social and Behavioral Sciences or Humanities.

10. General Electives (23 Credit Hours)

A minimum of 20 credit hours must be completed at the 200-level or above.

Must complete 23 credit hours of academic electives number 101 or higher. Students are encouraged to consult with an academic advisor regarding selections.



Associate of Arts in Pre-Business Administration

About the Program

This degree program is designed to introduce students to the field of Business Administration/Management and to provide the first two years of the Bachelor of Business Administration program offered by the Robert O. Anderson Schools of Management at UNM Albuquerque Campus. All of the required courses for this associate degree program transfer to that BBA program, and students will be admitted to junior status if the following conditions are met:

- the student has a 2.0 cumulative GPA overall (see #1 below)
- the student has a minimum grade of C (not C-) in each course listed under the Specific Requirements shown in pre-admission course work
- there are no waivers or substitutions in the printed curriculum of the Associate of Arts in Pre-Business Administration
- the student is eligible to enroll at UNM Albuquerque

Specific Requirements

1. A minimum of 65 credit hours with a minimum grade point average of 2.4 in the UNM/ASM Core Curriculum areas.

At least 15 of these 65 hours must be UNM-LA catalog credit courses taken in residence.

2. Writing and Speaking (9 credit hours)

- ENGL101: Composition I: Exposition (3)
- ENGL 102: Composition II: Analysis & Argument (3)
- ENGL 219: Technical and Professional Writing (3)

3. Mathematics and Statistics (6-7 credit hours)

General Math:

MATH 107: Problems in College Algebra (1)

and

MATH 121: College Algebra (3)

OR

MATH 150: Pre-Calculus Mathematics (3)

Calculus Requirement:

MATH 162: Calculus (4)

OR

MATH 180: Elements of Calculus (3)

4. Physical/Natural Sciences (7 credit hours)

Select two courses, plus one corresponding laboratory (L course) from the following:

BIOL 110/112L, BIOL 123/124L, BIOL 201, BIOL 202, CHEM 111L, CHEM 121/123L, CHEM 122/124L, ASTR 101/101L, PHYC 102/102L, PHYC 151/151L, PHYC 152/152L, PHYC 160/160L, EPS 101/105L, ENVS 101/102L.

5. Social/Behavioral Sciences (15 credit hours)

Must include:

- ECON 105: Introductory Macroeconomics (3)
- ECON 106: Introductory Microeconomics (3)
- PSY 105: General Psychology (3)

or

SOC 101: Introduction to Sociology (3)

Plus two more courses from: American Studies, Anthropology, Economics, Geography, History, Political Science, Psychology, Sociology. (PSY 105 or SOC 101 may be used to satisfy three credit hours of this requirement.)

6. Humanities (6 credit hours)

Select from the following:

- AMST 186: Introduction to Southwest Studies (3)
- CLST 107: Greek Mythology (3)
- CLST 204: Greek Civilization (3)
- ENGL 150: The Study of Literature (3)
- HIST 101L: Western Civilization (3)
- HIST 102L: Western Civilization (3)
- HIST 161L: History of the United States to 1877 (3)
- HIST 162L: History of the United States Since 1877 (3)
- PHIL 101: Introduction to Philosophical Problems (3)
- RELG 107: Living World Religions (3)

7. Foreign Language (3 credit hours)

8. Fine Arts (3 credit hours)

Select from the following:

- ARTH 101: Introduction to Art I (3)
- ARTH 201: History of Art I (3)
- ARTH 202: History of Art II (3)
- MUS 139: Music Appreciation (3)
- THEA 122: Theatre Appreciation (3)

or

A three hour studio course from the Department of Art and Art History, Music, Theatre and Dance, or Media Arts.

9. Computer Science (3 credit hours)

- CS 150L: Computing for Business Students (3)

10. Management (6 credit hours)

- MGMT 202: Principles of Financial Accounting (3)
- STAT 145: Introduction to Statistics (3)

11. Electives (6-7 credit hours)

May include:

- MGMT 113: Management: An Introduction (3)

May not include:

- Introductory Studies courses
- Physical Education courses

Students planning on transferring to the Anderson Schools of Management on the Albuquerque campus should be familiar with and must meet the UNM/ASM Core Curriculum Requirements.

Associate of Arts in Pre-Professional Elementary Education

Offered only at UNM-Los Alamos Bernalillo Education Center

About the Program

This degree program is designed for the student who is planning to transfer to a baccalaureate program upon completion. It is also designed to meet Level III/Paraprofessional licensure for educational assistants. It is the student's responsibility to contact his/her education advisor before registering for courses in the degree program:

Specific Requirements

1. A minimum of 63 credit hours.

At least 15 of these 63 hours must be UNM-LA catalog credit courses taken in residence.

General Education Requirements (57 credit hours)

2. Writing and Speaking (12 credit hours)

ENGL 101: Composition I: Exposition (3)
ENGL 102: Composition II: Analysis & Argument (3)
LING 101: Introduction to the Study of Language (3)
CJ 220: Communication for Teachers (3)

3. Fine Arts (6 credit hours)

ARTH 251: Artistic Traditions of the Southwest
or
ARTH 101: Introduction to Art (3)
MUS 139: Music Appreciation
or
MUSE 298: Music for the Elementary Teacher

4. History (12 credit hours)

HIST 101L: Western Civilization
or

HIST 102L: Western Civilization (3)
HIST 161L: History of the United States to 1877 (3)
HIST 162L: History of the United States since 1877 (3)
HIST 260: History of New Mexico (3)
History Elective (3)

5. Physical and Natural Science (12 credit hours)

NTSC 261L: Physical Science (4)
NTSC 262L: Life Science (4)
NTSC 263L: Environmental Science (4))

6. Math (9 credit hours)

MATH 111: Mathematics for Elementary/
Middle School Teachers I (3)
MATH 112: Mathematics for Elementary/
Middle School Teachers II (3)
MATH 215: Mathematics for Elementary/
Middle School Teachers III (3)

7. Social Sciences (6 credit hours)

Select from: ANTH 101, ANTH 130, ECON 105,
ECON 106, GEOG 102, POLS 110, POLS 220, PSY
105, SOC 101.

8. Foreign Language (3 credit hours)

SPAN 101 highly recommended.

9. EDUCATION REQUIREMENTS (6 credits)

LLSS 183: Introduction to Education in New Mexico (3)
LLSS 290: Foundations of Education (3)

Introductory Studies courses
Physical Education courses



Associate of Arts in Southwest Studies

NOTE: Degree is under revision. See changes coming in 2009

About the Program

This program is designed as a baccalaureate transfer program for students who wish to gain a broad education in the Humanities within a context of cultural pluralism. Serving as a terminal degree, the program will provide students with valuable knowledge of local and regional history, language, art, ecology, anthropology, and literature of the three dominant cultures of the Southwest. Possible career options include employment in museums, art galleries, cultural tourism, etc.

Specific Requirements

1. A minimum of 66 credit hours with a minimum grade point average of 2.0.

At least 15 of these 66 hours must be UNM-LA catalog credit courses taken in residence.

2. Writing and Speaking (12 credit hours)

ENGL 101: Composition I: Exposition (3)
ENGL 102: Composition II: Analysis & Argument (3)
CJ 130: Public Speaking (3)

Choose one of the following courses;

CJ 115: Communication Across Cultures (3)
PHIL 156: Reasoning and Critical Thinking (3)

3. Mathematics and Statistics (3 credit hours)

MATH 107: Problems in College Algebra (1)

and

MATH 121: College Algebra (3)

OR

STAT 145: Introduction to Statistics (3)

4. Physical and Natural Sciences (10 credit hours minimum)

Choose 2 courses, one of which must include a lab, from the following:

ANTH 121L: Archeological Methods and Theory (4)
ASTR 101/101L: Introduction to Astronomy/
Lab (3,1)
BIOL 110/112L: Biology for Non-Majors/ Lab (3,1)
BIOL 123: Biology for Health-Related
Sciences and Non-Majors (3)
BIOL 124L: Biology for Health-Related
Sciences and Non-Majors Laboratory (1)
BIOL 201: Molecular and Cell Biology (4)
EPS 101/105L: How the Earth Works:
An Introduction to Geology/Lab (3,1)
GEOG 101/105L: Physical Geography (3,1)

Choose any other 3- or 4-hour course not already selected from the current UNM Physical and Natural Sciences Core Curriculum:

General Biology w/lab
General Chemistry w/lab
General Physics w/lab
Geology/Earth Science w/lab
Astronomy w/lab

5. Social/Behavioral Sciences (9 credit hours)

AMST 182: Introduction to Environment, Science, and
Technology (3)
AMST 185: Introduction to Race, Class, and Ethnicity
(3)

Choose any other course from the current UNM Social and Behavioral Sciences Core Curriculum (3):

ANTH 101, 130;
ECON 105, 106;
ENG 200;
GEOG 102;
LING 101 (AOA Anthropology 110);
POLS 110, 200, 220, 240;
PSY 105;
SOC 101.

6. Humanities (12 credit hours)

AMST 186: Introduction to Southwest Studies (3)
AMST 285: American Life and Thought (3)
HIST 260: History of New Mexico (3)

Choose any other course from the current UNM Humanities Core Curriculum (3)

or

Choose one from:

ENGL 211: Topics (any with a Southwestern
focus) (3)
ENGL 298: Workshop in Literature or Writing
(any with a Southwestern emphasis) (3)

7. Fine Arts (6 credit hours)

Choose 3 hours from:

ARTH 251: Artistic Traditions of the Southwest (3)
MUS 113: Mexican Guitar (1)
MUS 114: Mexican Guitar (1)
FA 229: Santa Fe Opera (3)
DANC 169: Flamenco I (2-6)
GNST 193T: Beginning Spanish Colonial
Style Carving (3)

Choose any other course not already selected from the current UNM Fine Arts Core Curriculum (3).

Associate of Arts in Southwest Studies, continued

8. Modern Languages (6 credit hours)

SPAN 101: Elementary Spanish (3)

SPAN 102: Elementary Spanish (3)

9. Southwest Studies (9 credit hours)

AMST 286: Associate Seminar on the Southwest (3)

Choose two courses from:

AMST 184: Introduction to Popular Culture (3)

AMST 251: The Chicano Experience (3)

AMST 252: The Native American Experience (3)

NATV 150: Introduction to Native American Studies (3)

AMST 200: Topics:

- College Oral Traditions
- Traditional Folk Music of Northern New Mexico and Southern Colorado
- Genealogy Studies
- History of the Camino Real
- Others as approved by UNM

The Southwest Collection

The Southwest Collection was acquired several years ago as a special collection for the library to help support the Southwest Studies degree program offered at UNM-Los Alamos.

A grant awarded to the library in January 2001 by the National Endowment for the Humanities has allowed the library to become formally cataloged. Records for all items in the collection will be easily accessible through the on-line catalog.

Since these are special collection materials, library staff will still have to retrieve the items from the collection for patrons. Books designated as “circulating” can be checked out for a period of two weeks.

Books designated as “non-circulating” (rare and delicate items) can only be used in the library. Patrons wishing to use non-circulating books must make an appointment by calling the library at least 24 hours in advance.

Associate of Arts in Studio Art

About the Program

This program provides students with the first two years of study toward a Bachelor's Degree in Fine Arts (BFA) at UNM Albuquerque Campus. Courses and course sequences are designed to encourage the student's power of observation and aesthetic awareness. Simultaneously the student is taught technique and craft with which to use these powers creatively.

There are a variety of career opportunities in the Arts. Each artist's career path is unique, which is part of the freedom that comes with being an artist. Most visual artists work individually in the studio. Other career options such as teaching, museum work and free-lance design are generally achieved with a higher degree.

Specific Requirements

1. A minimum of 66 credit hours with a minimum grade point average of 2.5.

At least 15 of these 66 hours must be UNM-LA catalog credit courses taken in residence with a minimum grade point average of 3.0 in Art Studio/Art History courses.

2. Writing and Speaking (9 credit hours)

ENGL 101: Composition I: Exposition (3)
ENGL 102: Composition II: Analysis & Argument (3)
Elective: English course above 102

3. Mathematics and Statistics (6 credit hours)

Choose from the following:

MATH 107: Problems in College Algebra (1)
and
MATH 121: College Algebra (3)
MATH 150: Pre-Calculus Mathematics (3)
MATH 162: Calculus I (4)
MATH 163: Calculus II (4)
MATH 180: Elements of Calculus I (3)
STAT 145: Introduction to Statistics (3)

4. Behavioral Science/Social Science (3 credit hours)

Select one course as specified from the UNM core curriculum.

5. Computer Science, Computer Technology or Information Technology (3 credit hours)

6. Electives (3 credit hours)

Select from one of the following groups:

Communication and Journalism
Foreign Language
American Studies
Philosophy

7. History (6 credit hours)

HIST 101L: Western Civilization (3)
HIST 102L: Western Civilization (3)

8. Art History (9 credit hours)

ARTH 201: History of Art I (3)
ARTH 202: History of Art II (3)
ARTH 250: Modern Art (3)

9. Art Studio Core courses (10 credit hours)

ARTS 106: Drawing I (3)
ARTS 121: Two-Dimensional Design (3)
ARTS 122: Three-Dimensional Design (3)
ARTS 298: Topics: Portfolio Preparation and Presentation (1)

10. Art Studio Elective courses (12 credit hours)

Select two from group A:

ARTS 130: Introduction to Electronic Art (3)
*ARTS 187: Photography I (3)
*ARTS 205: Drawing II (3)
ARTS 206: Pastel – Introduction to an Abrasive Color Medium (3)
*ARTS 207: Painting I (3)
ARTS 287: Black and White Photography (3)
ARTS 288: Introduction to Color Photography (3)
ARTS 298T: Topics (1-3)

Select two from group B:

ARTS 123: Shop Foundations (2)
*ARTS 157: Small Scale Metal Construction I (3)
*ARTS 168: Introduction to Ceramics (3)
*ARTS 213: Sculpture I (3)
ARTS 216: Raku - A Ceramic Low-Firing Reduction Process (3)
ARTS 257: Small Scale Metal Construction II (3)
ARTS 268: Ceramics: Material and Aesthetics (3)

**Required courses for a BFA*

11. General Electives (5 credit hours)

Courses in Music or Film are recommended to fulfill the Fine Arts elective requirements for a BFA. A maximum of 2 hours of Physical Education may count toward the degree.

Associate of Science in Environmental Science

About the Program

This program provides students with the first two years of study toward a Bachelor's degree in Environmental Science or Earth and Planetary Science at UNM Albuquerque Campus or other four-year institutions. It can also be applied toward a B.S. in Biology with a Concentration in Conservation Science. As a terminal degree, it is sufficient preparation for certain technician jobs in areas such as environmental testing and remediation.

Specific Requirements

1. A minimum of 66 credit hours with a minimum grade point average of 2.0.

At least 15 of these 66 hours must be UNM-LA catalog credit courses taken in residence. It is strongly recommended that the student check the specific requirements for the B.S. or B.A. of interest if planning to transfer in order to make the best choices among the optional courses below.

2. Writing and Speaking (6 credit hours)

ENGL 101: Composition I: Exposition (3)
ENGL 102: Composition II: Analysis & Argument (3)

3. Mathematics and Statistics (3 credit hours)

MATH 162: Calculus I (4)
Note: Math 180 may be substituted for Math 162, but will only be accepted for some bachelor's degrees (e.g. biology.)

4. Physical and Natural Sciences (21 credit hours)

Including:

BIOL 123: Biology for Health Related Sciences and Non-Majors (3)
BIOL 124L: Biology for Health Related Sciences and Non-Majors Lab (1)
CHEM 121/123L: General Chemistry I(3)/General Chemistry I Lab (1)
ENVS 101: The Blue Planet (3) OR EPS 101: How the Earth Works—An Introduction to Geology (3)
ENVS 102L: The Blue Planet Laboratory (1) OR EPS 105L: Physical Geology Laboratory (1)
PHYC 160: General Physics (3)

And an additional 6 credit hours selected from:

BIOL 202: Genetics (4)
BIOL 203L: Ecology and Evolution (4)
BIOL 204L: Plant and Animal Form and Function (4)
CHEM 122/124L: General Chemistry II(3)/General Chemistry II Lab (1)

CHEM 212: Integrated Organic Chemistry and Biochemistry (4)
EPS 201L: Earth History (4)
PHYC 161: General Physics (3)

Note: BIOL 201 may be substituted for BIOL 123/124L. BIOL 201 is generally a prerequisite for BIOL 202, 203L, or 204L, but an environmental science major has permission from UNM-Albuquerque to go directly from BIOL 123/124L to BIOL 203L. A biology major must eventually complete BIOL 201, 202, 203L, and 204L. CHEM 131L and 132L could be substituted for CHEM 121/123L and 122/124L although it is not usually offered at UNM-Los Alamos. PHYC 151 could be substituted for PHYC 160, but it will only be acceptable for some of the baccalaureate degrees (e.g. biology B.A. or B.S., earth and planetary science B.A.).

5. Humanities (3 credit hours)

Select any UNM core course in this area.

6. Social and Behavioral Sciences (3 credit hours)

Select any UNM core course in this area.

7. Foreign Language (3 credit hours)

Select any UNM core course in this area.

8. Fine Arts (3 credit hours)

Select any UNM core course in this area.

9. Other (24 credit hours)

To complete the required number of hours for this degree, other courses (24 credit hours) may be chosen from the following if not already counted in your degree program:

Writing and Speaking (Maximum of 3 credit hours)

ENGL 219: Technical Writing (3)
ENGL 220: Expository Writing (3)
ENGL 290: Introduction to Professional Writing (3)
CJ 130: Public Speaking (3)

Mathematics and Statistics

MATH 163: Calculus II (4)
Any math course above MATH 163.

Associate of Science in Environmental Science, continued

Physical and Natural Sciences

ASTR 270: General Astronomy (3)
BIOL 202: Genetics (4)
BIOL 203L: Ecology and Evolution (4)
BIOL 204L: Plant and Animal Form and Function (4)
CHEM 122/124L: General Chemistry II(3)/
General Chemistry II Lab (1)
CHEM 212: Integrated Organic Chemistry and
Biochemistry (4)
EPS 201L: Earth History (4)
EPS 203: Earth Resources and Man (3)
EPS 251: Meteorology (3)
PHYC 160L: General Physics Laboratory (1)
PHYC 161: General Physics (3)
PHYC 161L: General Physics Laboratory (1)
PHYC 167: Problems in General Physics (1)
PHYC 168: Problems in General Physics (1)

Humanities (Maximum 3 credit hours)

Select any UNM core course in this area.

Note: For UNM students working toward a B.S. in ENVS or a B.S. or B.A. in EPS, selected courses in engineering, computer science, anthropology, or geography may also be used, but only with permission from the main campus departments of ENVS or EPS.



Associate of Science in Pre-Engineering

About the Program

This program represents the course work for the first two years of the baccalaureate degree at UNM Albuquerque Campus. The courses are pertinent to all fields of engineering: mechanical, chemical, nuclear, civil, and computer. Students with this degree are qualified to enter the work force as technicians in various engineering fields or to continue their studies to the baccalaureate level.

Specific Requirements

- 1. A minimum of 66 credit hours with a minimum grade point average of 2.2 overall, with a grade of 2.5 or better in any specifically required course.**

At least 15 of these 66 hours must be UNM-LA catalog credit courses taken in residence. It is strongly recommended that the student check the specific requirements for the BS in the particular area of engineering of interest (chemical and nuclear, civil, electrical and computer, mechanical etc.) in order to make the best choices among the optional courses.

- 2. Writing and Speaking (6 credit hours)**
ENGL 101: Composition I: Exposition (3)
ENGL 102: Composition II: Analysis & Argument (3)
- 3. Engineering and Computer Science (6 credit hours)**
CS 151L: Computer Programming Fundamentals for Non-Majors (3)
and

3 credit hours selected from:

CE 202: Engineering Statics (3)
ECE 203L: Circuit Analysis I (3)
ECE 213: Circuit Analysis II (3)
ECE 238L: Computer Logic Design (4)
ME 160L: Mechanical Engineering Design I (3)
ME 260L: Mechanical Engineering Design II (3)

NOTE: Other engineering courses specified in the B.S. degree plan of interest may be substituted, if offered by UNM-LA.

- 4. Physical/Natural Sciences (12 credit hours)**
CHEM 121/123L: General Chemistry I(3)/
General Chemistry I Lab (1)
PHYC 160: General Physics (3)
PHYC 160L: General Physics Laboratory (1)
PHYC 161: General Physics (3)
PHYC 161L: General Physics Laboratory (1)

- 5. Mathematics and Statistics (12 credit hours)**
MATH 162: Calculus I (4)
MATH 163: Calculus II (4)
MATH 264: Calculus III (4)

- 6. Humanities (6 credit hours)**

Select any UNM Core Curriculum courses in this area.

- 7. Social and Behavioral Sciences (6 credit hours)**

Including:

ECON 105: Introductory Macroeconomics (3)

and

Select one other UNM Core Curriculum course in this area.

- 8. Other (18 credit hours)**

To complete the required number of hours for this degree, other courses (18 credit hours) may be chosen from the following if not already counted in degree program:

Writing and Speaking:

ENGL 219: Technical writing (3)

Engineering and Computer Science:

CE 202: Engineering Statics (3)

ECE 203L: Circuit Analysis I (3)

ECE 213: Circuit Analysis II (3)

ECE 238L: Computer Logic Design (4)

ME 160L: Mechanical Engineering Design I (3)**

ME 260L: Mechanical Engineering Design II (3)

**This course will be offered through Extended University occasionally, but it will run through UNM-Albuquerque at main campus tuition rates.

***Note: Other engineering courses specified in the B.S. degree plan of interest may be substituted, if offered by UNM-LA.**

Physical/Natural Sciences:

CHEM 122/124L: General Chemistry II(3)/

General Chemistry II Lab (1)

EPS 101: How the Earth Works—An Introduction to Geology (3)

PHYC 167: Problems in General Physics (1)

PHYC 168: Problems in General Physics (1)

PHYC 262: General Physics (3)

PHYC 267: Problems in General Physics (1)

Foreign Language (Maximum of 3 credit hours)

Select any UNM Core Curriculum course in this area.

Fine Arts (Maximum of 3 credit hours)

Select any UNM Core Curriculum course in this area.

Associate of Science in Science

About the Program

This program represents the first two years of course work in general science with an emphasis in physics, chemistry, and biology. Completion of this degree will enable students to transfer to a four-year institution for additional studies leading to a bachelor's degree. It will also provide background studies for students wishing to enter the work force as technicians in science.

Specific Requirements

1. A minimum of 66 credit hours with a minimum grade point average of 2.0.

At least 15 of these 66 hours must be UNM-LA catalog credit courses taken in residence. It is strongly recommended that the student check the specific requirements for the B.S or B.A. in the particular area of interest in science (biology, biochemistry, chemistry, earth and planetary science, physics, astrophysics) in order to make the best choices among the optional courses below.

2. Writing and Speaking (6 credit hours)

ENGL 101: Composition I: Exposition (3)
ENGL 102: Composition II: Analysis & Argument (3)

3. Physical/Natural Sciences (20 credit hours)

Including:

CHEM 121/123L: General Chemistry I(3)/General Chemistry I Lab (1)
CHEM 122/124L: General Chemistry II(3)/General Chemistry II Lab (1)
PHYC 160: General Physics (3)
PHYC 160L: General Physics Lab (1)
PHYC 161: General Physics (3)
PHYC 161L: General Physics Lab (1)

And additional course (4 credit hours) selected from:

BIOL 201: Molecular and Cell Biology (4)
BIOL 202: Genetics (4)
BIOL 203L: Ecology and Evolution (4)
BIOL 204L: Plant and Animal Form and Function (4)
CHEM 212: Integrated Organic Chemistry and Biochemistry (4)
EPS 101: How the Earth Works—An Introduction to Geology (3)
EPS 105L: Physical Geology Laboratory (1)
EPS 201L: Earth History (4)
ENVS 101: The Blue Planet (3)
ENVS 102L: The Blue Planet Laboratory (2)
PHYC 167: Problems in General Physics (1)
PHYC 168: Problems in General Physics (1)
PHYC 262: General Physics (3)
PHYC 262L: General Physics Lab (1)
PHYC 267: Problems in General Physics (1)

NOTE: CHEM 131L and 132L could be substituted for CHEM 121/123L and 122/124L, although it is not usually offered at UNM-LA. PHYC 151, 151L, 152, 152L may be substituted for PHYC 160, 160L, 161, 161L but will not be acceptable for some baccalaureate degrees in science (Biology

B.A. or B.S, Chemistry B.A., Earth & Planetary Science B.A.)

4. Mathematics and Statistics (6 credit hours)

Including:

MATH 162: Calculus I (4)
MATH 163: Calculus II (4)

Note: *MATH 180 & 181 may be substituted for MATH 162 and 163, but will only be accepted for some bachelor's degrees in science (e.g. Biology)*

5. Humanities (3 credit hours)

Select any UNM Core Curriculum courses in this area.

6. Social and Behavioral Sciences (3 credit hours)

Select any UNM Core Curriculum course in this area.

7. Foreign Language (3 credit hours)

Select any UNM Core Curriculum course in this area

8. Fine Arts (3 credit hours)

Select any UNM Core Curriculum course in this area.

9. Other (22 credit hours)

To complete the required number of hours for this degree, other courses (22 credit hours) may be chosen from the following if not already counted in your degree

Writing and Speaking (Maximum of 3 credit hours)

ENGL 219: Technical Writing (3)

Physical/Natural Sciences

Select from:

BIOL 201: Molecular and Cell Biology (4)
BIOL 202: Genetics (4)
BIOL 203L: Ecology and Evolution (4)
BIOL 204L: Plant and Animal Form and Function (4)
CHEM 212: Integrated organic Chemistry and BioChemistry (4)
EPS 101: How the Earth Works—An Introduction to Geology (3)
EPS 105L: Physical Geology Laboratory (1)
EPS 201L: Earth History (4)
ENVS 101: The Blue Planet (3)
ENVS 102L: The Blue Planet Laboratory (2)
PHYC 167: Problems in General Physics (1)
PHYC 168: Problems in General Physics (1)
PHYC 262: General Physics (3)
PHYC 262L: General Physics Lab (1)
PHYC 267: Problems in General Physics (1)
Mathematics and Statistics
MATH 264: Calculus III (4)

Computer Science

CS 151L: Computer Programming Fundamentals for Non-Majors (3)

Humanities (Maximum of 3 credit hours)

Select any UNM Core Curriculum courses in this area.

Social and Behavioral Sciences (Maximum of 3 credit hours)

Select any UNM Core Curriculum course in this area.

Associate of Applied Science in Accounting

About the Program

This degree program is designed to help students prepare for entry into the accounting field as accounting clerks or technicians. The core courses in general education combined with computer applications provide the necessary skills for success in today's changing business world. Students will become proficient in basic accounting principles: manual and computerized journals; posting; adjustments; monthly statements; payroll; bank reconciliations; cash flow reports; invoices; and the basics of taxes. Some, but not all, of the required courses will transfer to a BBA program at UNM Albuquerque Campus. Students planning to seek a four-year degree in accounting or another business field should pursue an Associate of Arts in Pre-Business Administration.

Specific Requirements

*Indicates courses with prerequisites.

1. A minimum of 63 credits with a minimum grade point average of 2.0.

At least 15 of these 63 hours must be University of New Mexico-Los Alamos catalog credit courses taken in residence.

2. Writing and Speaking (6 credit hours)

ENGL 101: Composition I: Exposition (3)
CJ 221: Interpersonal Communications (3)

3. Fine Arts/Humanities/Social and Behavioral Sciences (6 credit hours)

ECON 106: Introductory Microeconomics (3)

and

Select additional 3 hours from UNM Core Curriculum in these areas.

4. Mathematics/Physical and Natural Sciences (7 credit hours)

MATH 107: Problems in College Algebra (1)
MATH 121: College Algebra (3)

(Note: No mathematics classes that are lower level than these courses may be counted toward the degree.)

Select additional 3 hours from UNM Core Curriculum in these areas.

5. Business, Management, and Technology (38 credit hours)

MGMT 101: Fundamentals of Accounting I (3)
MGMT 101L: Fundamentals of Accounting I Lab (1)
MGMT 102: Fundamentals of Accounting II (3)
MGMT 102L: Fundamentals of Accounting II Lab (1)
*MGMT 113: Management: An Introduction (3)
*BSTC 202: Microcomputer Accounting (3)
BSTC 203: Business Communication (3)
BSTC 204: Human Relations in Business (3)
*BSTC 218: Business Law (3)
BSTC 212: Introduction to Income Tax (3)
*BSTC 220: Management Accounting (3)
BSTC 293: Topics (3)
CS 150: Computing for Business Students (3)
*CT 202: Applications of Spreadsheets (3)

6. Technical Electives or Cooperative Education Work Phases (6 credit hours)

Choose from the following courses:

BSTC 114: Customer Service and Relations (1)
BSTC 115: Time Management (1)
BSTC 116: Stress Management for the Workplace (1)
BSTC 117: Organization Skills for the Workplace (1)
BSTC 118: Conflict Resolution for the Workplace (1)
BSTC 213: Auditing (3)
BSTC 214: Governmental/Not for Profit Accounting (3)
BSTC 193: Topics (1-4)
BSTC 293: Topics (1-4)
BSTC 296: Business Cooperative Work Phase 1, 2, or 3 (1-3)
ECON 212: Personal Investing (3)
MGMT 222: Introduction to Marketing (3)

(Note that various Topics courses will be offered and students may receive credit for taking multiple Topics courses)

Associate of Applied Science in Business

The Associate of Applied Science in Business has two concentrations, one in Management and one in Marketing.

About the Program

The Associate of Applied Science in Business has two concentrations, one in Management and one in Marketing. This program is designed for students preparing for a career in business. The broad based curriculum includes the use of microcomputers and their applications and focuses on the fundamentals of business, with the opportunity to focus on either management or marketing as a concentration.

About the Management Concentration

Building on the common core requirements of this degree, the students in the management concentration will focus on management issues, taking courses in management, human relations, business law, and management accounting.

About the Marketing Concentration

Building on the common core requirements of this degree, the students in the marketing concentration will focus on marketing issues, taking courses in marketing and digital media arts.

Specific Requirements

1. A minimum of 66 credit hours with a minimum grade point average of 2.0.

At least 15 of these 64 hours must be UNM-LA catalog credit courses taken in residence.

2. Writing and Speaking (12 credit hours)

ENGL 101: Composition I: Exposition (3)
ENGL 102: Composition II: Analysis & Argument (3)
CJ 221: Interpersonal Communication (3)
CJ 130: Public Speaking (3)

3. Fine Arts/Humanities/Social and Behavioral Sciences (9 credit hours)

Including:

ECON 105: Introduction to Microeconomics (3)
ECON 106: Introductory Microeconomics (3)
Select additional 3 hours from UNM Core Curriculum in these areas.

4. Mathematics/Physical and Natural Sciences (7 credit hours)

MATH 107: Problems in College Algebra (1)
MATH 121: College Algebra (3)
(Note: No mathematics classes that are lower level than these courses may be counted toward the degree.)

Select additional 3 hours from UNM Core Curriculum in these areas.

5. Technical Courses (29-30 credit hours)

*(Note: Courses with an * indicate that they are prerequisites for other required courses and should be taken as soon as possible.)*

Technical Courses Common to Both Concentrations (17 hours)

*MGMT 101: Fundamentals of Accounting I (3)
*MGMT 101L: Fundamentals of Accounting I Lab (1)
*MGMT 102: Fundamentals of Accounting II (3)
*MGMT 102L: Fundamentals of Accounting II Lab (1)
BSTC 203: Business Communication (3)
*CS 150: Computing for Business Students (3)

Select 3 credits from the following:

BSTC 114: Customer Service and Relations (1)
BSTC 115: Time Management (1)
BSTC 116: Stress Management for the Workplace (1)
BSTC 117: Organization Skills for the Workplace (1)
BSTC 118: Conflict Resolution for the Workplace (1)

Management Concentration Technical Courses (12 credit hours)

*MGMT 113: Management: An Introduction (3)
BSTC 204: Human Relations in Business (3)
BSTC 218: Business Law (3)
BSTC 220: Management Accounting (3)

Associate of Applied Science in Business, continued

Marketing Concentration (13 credit hours)

MGMT 222: Introduction to Marketing (3)
*DMA 101: Introduction to Digital Imaging and Scanning (1)
DMA 165: Introduction to Digital Media Arts (Photoshop) (3)
DMA 203: Introduction to Desktop Publishing (3)
CT 165: Introduction to Web Authoring (3)

6. Technical Electives (8-9 credit hours)

Management Concentration (9 hours)

Select 9 credit hours from:

BSTC 202, BSTC 212, BSTC 293, BSTC 296,
CT 165, CT 202, *DMA 101, DMA 165, DMA
203, ECON 212, MGMT 222

A student may also select from any of the BSTC 114, 115, 116, 117, 118 courses that were not taken for credit requirements under # 5 above.

Marketing Concentration (18 credit hours)

Select 8 credit hours from: BSTC 202, BSTC 204,
BSTC 212, BSTC 218, BSTC 220, BSTC 293,
CJ110, DMA166, DMA175, DMA250, ECON
212, BSTC 296, CT 202, *MGMT 113

A student may also select from any of the BSTC 114, 115, 116, 117, 118 courses that were not taken for credit requirements under # 5 above.

7. In order to monitor degree content and insure a consistently high quality degree, students are discouraged from transferring too many credit hours from another institution towards the Technical Courses required for this degree. Please work with your advisor and/or the published Course Rotation Sequence for this degree to help you schedule the Technical Courses here at UNM-LA.

8. As is the nature of all technical or computer-related degrees, course content is susceptible to rapid change. In order to provide a quality degree that meets UNM and industry standards, our degrees are reviewed regularly for up-to-date content. All students officially enrolled in a degree will be notified if/when the degree substantially changes. In order to best prepare students for the current job market, students lingering in an outdated degree program will be encouraged to work towards the updated degree.



Associate of Applied Science in Computer Science

The Associate of Applied Science in Computer Science has two concentrations, one in Programming and one in Game Development and Interactive Simulation.

About the Program

This program provides students with a broad set of skills and knowledge in the basic areas of computer programming and computer science. The core requirements in mathematics, computer science, and electrical engineering cover basic principles and methodologies of discrete mathematics, problem analysis and algorithm development, high-level programming languages, operating systems, computer architecture, and software engineering. Students completing this degree will be qualified for entry-level programming positions with skills in program design, code development, testing and debugging, maintenance, and code documentation. Students will have a large exposure to problem solving techniques and program applications. Students will also be qualified to work as part of a software development team.

About the Programming Concentration

Building on the basic core skills and techniques taught In the Associate of Applied Science In Computer Science, the *Programming Concentration* highlights classic software design and development principles. The student will focus on areas of the software development life cycle that include problem analysis, algorithm development, efficiency of algorithms, code readability, and professional testing techniques. Students will be exposed to a wide array of programming applications. *This concentration is valuable as a stand-alone degree or as a transfer degree to the Bachelor of Science In Computer Science, which may be earned at UNM-Los Alamos or by transferring to UNM-Albuquerque..*

About the Game Development and Interactive Simulation Concentration

Building on the basic core skills and techniques taught In the AAS In Computer Science, students in the *Game Developer Concentration* will learn basic programming techniques such as problem analysis, code development, and code testing techniques. In addition, students will focus are specialized topics for the application of computer game development. Students will learn simple drawing techniques, two and three-dimensional design techniques, coding techniques unique to computer games, and animation techniques. *This concentration is valuable as a stand-alone degree or as a transfer degree to the Bachelor of Science In Game Development at University of Denver (or similar gaming degrees across the country).*

Specific Requirements

1. A minimum of 65 credit hours with a minimum grade point average of 2.0.

At least 15 of these 65 hours must be UNM-LA catalog credit courses taken in residence. A student may take a course with a CR/NC grading option in Technical Electives only, for a maximum of 6 credit hours. Please see an advisor regarding eligibility of a particular CR/NC class.

2. Minimum grade of C (not C-) in each Technical Course (Section 4 below).

Students must have completed Math 123, Math 150, and CS 101LT or CS 102LT before enrolling in core computer science courses.

3. Writing and Speaking (9 credit hours)

ENGL 101: Composition I: Exposition (3)

ENGL 102: Composition II: Analysis & Argument (3)

ENGL 219: Technical Writing (3)

or

CJ: Any course (3) (CJ 130 strongly recommended)

4. Technical Courses (30-31 credit hours)

(Note: Courses flagged with an asterisk are prerequisites for other courses in the series, so they should be taken as soon as possible.)

Technical Courses Common to Both Concentrations (16 credit hours)

CS 148*: Introduction to Programming In C++ (3)

CS 152L*: Computer Programming Fundamentals for Computer Science Majors (3)

CS 241L: Data Organization (3)

CS 251L: Intermediate Programming (3)

CS 261: Mathematical Foundations of Computing Science (3)

CS 293: Social and Ethical Issues in Computing (1)

Associate of Applied Science in Computer Science continued

Students will select from one of the two following concentrations:

Technical Courses for Programming Concentration (14 credit hours)

CS 220*: Systems Analysis and Design (3)
CS 257L: Non-Imperative Programming (3)
CS 258: Applications of Object Oriented Programming (2)
CS 260: Introduction to Applied Software Engineering (2)
ECE 238L: Computer Logic Design (4)

Technical Courses for Game Development and Interactive Simulation Concentration (15 credit hours)

IT 119: Networking Core Concepts (3)
GAME 100*: Introduction to Game Project (3)
GAME 150*: Game Project I (3)
GAME 200*: Game Project II (3)
GAME 250: Game Project III (3)

5. Humanities/Fine Arts/Social Science (6 credit hours)

For Programming Concentration

Select 6 hours from UNM Core Courses

For Game Development and Interactive Simulation Concentration

ARTH 101: Introduction to Art (3)
ARTS 106: Drawing I (3)

6. Physical and Natural Sciences (4 credit hours)

PHYC 102: Introduction to Physics (3)
PHYC 102L: Introduction to Physics Lab (1)

7. Mathematics and Statistics (11 credit hours)

MATH 162: Calculus I (4)
MATH 163: Calculus II (4)
MATH 293: Topics: Linear Algebra (3)
(As an alternative, students are encouraged to take Math 321: Linear Algebra, through the Bachelor and Graduate Program.)

8. Technical Electives (4-5 credit hours)

For Programming Concentration (5 credit hours)

Select from: CS103, CS 151L, CS 160, CS 170, CS 180, IT 119, IT 131, or IT 109 (In Software Development only).

For Game Development and Interactive Simulation Concentration (4 credit hours)

Select from: IT 109 (In Computer Game Development or Interactive Simulation only), IT 131, ARTS 121, ARTS 122, DMA 165, DMA 166, DMA 240, DMA 250.

9. In order to monitor degree content and insure consistently high quality degree, students are discouraged from transferring too many credit hours from another institution towards the Technical Courses required for this degree. Please work with your advisor and/or the published Course Rotation Sequence for this degree to help you schedule the Computer Science & Technical Electives here at UNM-LA.

10. As is the nature of all technical or computer-related degrees, course content is susceptible to rapid change. In order to provide a quality degree that meets UNM and industry standards, our degrees are reviewed regularly for up-to-date content. All students officially enrolled in a degree will be notified if/when the degree substantially changes. In order to best prepare students for the current job market, students lingering in an outdated degree program will be encouraged to work towards the updated degree plan. In addition, outdated or deleted courses will not be supported, so course substitutions will be inevitable for students working towards an outdated degree.

Associate of Applied Science in Digital Media Arts

About the Program

This degree program instructs the student in graphics, animation and multimedia using digital tools — hardware and software — to produce visual content-based projects for screen display or the World Wide Web, for “land-based” traditional output or printing. It addresses simultaneously the impact of digital media on our culture and graphic design/visual problem-solving issues. Students are prepared for employment in the fields of graphic design, multimedia design, and web multimedia content.

Specific Requirements

1. A minimum of 65 credit hours with a minimum grade point average of 2.0.

At least 15 of these 65 hours must be UNM-LA catalog credit courses taken in residence. A student may take a course with a CR/ NC grading option in Technical Electives only, for a maximum of 6 credit hours. Please see an advisor regarding eligibility of a particular CR/ NC class.

2. Minimum grade of C (not C-) in each Technical Course (Section 4 below).

3. Writing and Speaking (9 credit hours)

ENGL 101: Composition I: Exposition (3)
ENGL 102: Composition II: Analysis & Argument (3)
CJ 221: Interpersonal Communication (3)

or

CJ 225: Small Group Communication (3)

4. Technical Courses (26-28 credit hours)

CT 125: Introduction to Macintosh (1)

or

CT 122: Introduction to Microcomputers on Macintosh (3)
DMA 101: Introduction to Digital Imaging & Scanning (1)
DMA 165: Digital Media Arts I (Photoshop) (3)
DMA 166: Digital Media Arts II (Illustrator) (3)
DMA 175: Digital Imaging and Photography (Photoshop) (3)
DMA 203: Introduction to Desktop Publishing (3)
DMA 240: Web Audio/Video (3)
DMA 250: Web Animation and Interactive Multimedia Design (3)
IT 145: Web Design Fundamentals: HTML and Style Sheets (3)
IT 165: Introduction to Web Authoring (3)

5. Mathematics and Statistics (3 credit hours)

MATH 150: Pre-Calculus Mathematics (3)

or

STAT 145: Introduction to Statistics (3)

6. Physical/Natural Science (4 credit hours)

Select from the following:

BIOL 110/112L, BIOL 123/124L, BIOL 201, BIOL 202, CHEM 121/123L, CHEM 122/124L, CHEM 122L, ASTR 101/101L, PHYC 102/102L, PHYC 151/151L, PHYC 152/152L, PHYC 160/160L, EPS 101/105L, ENVS 101/102L

7. Social/Behavioral Science (3 credit hours)

Select from the following:

ANTH 130, ECON 105, ECON 106, POLS 200, PSY 105, SOC 101

8. Humanities/Fine Arts (9 credit hours)

ARTH 250: Modern Art (3)
ARTS 121: Two-Dimensional Design (3)
PHIL 156: Reasoning and Critical Thinking (3)

9. Technical Electives (9-11 credit hours)

Select from the following:

ARTS 106, ARTS 122, ARTS 130, ARTS 187, CT 111, CT 119, DMA 168, DMA 270, IT 147, IT 148, IT 242, IT 244, IT 246

10. In order to monitor degree content and insure a consistently high quality degree, students are discouraged from transferring too many credit hours from another institution towards the Technical Courses required for this degree. Please work with your advisor and/or the published Course Rotation Sequence for this degree to help you schedule the Technical Courses here at UNM-LA.

11. As is the nature of all technical or computer-related degrees, course content is susceptible to rapid change. In order to provide a quality degree that meets UNM and industry standards, our degrees are reviewed regularly for up-to-date content. All students officially enrolled in a degree will be notified if/when the degree substantially changes. In order to best prepare students for the current job market, students lingering in an outdated degree program will be encouraged to work towards the updated degree plan. In addition, outdated or deleted courses will not be supported, so course substitutions will be inevitable for students working towards an outdated degree.

Associate of Applied Science in Electro Mechanical Technology

About the Program

This program is designed to develop skills that will assist students in gaining employment as entry level technicians. Program content is intended to provide a balance of performance skills in both the electronic and mechanical technical fields. A maximum of 9 credit hours graded CR/NC is allowed toward this degree. Hours earned under which grading is specifically approved for CR/NC are not included in the 9-hour maximum.

Specific Requirements

1. A minimum of 65 credit hours with a minimum grade point average of 2.0.

At least 15 of these 65 hours must be UNM-LA catalog credit courses taken in residence.

2. Writing and Speaking (6 credit hours)

ENGL 101: Composition I: Exposition (3)
ENGL 119: Technical Communications (3)

3. Mathematics and Statistics (7 credit hours)

MATH 107: Problems in College Algebra (1)
MATH 121: College Algebra (3)
MATH 123: Trigonometry (3)

4. Natural Sciences (8 credit hours)

CHEM 111L: Elements of General Chemistry (4)
PHYC 102: Introduction to Physics (3)

PHYC 102L: Physics Laboratory (1)

5. Technical Core Requirements (29 credit hours)

DRFT 103: Introduction to Drafting (3)
DRFT 119: Drafting/Blueprint Reading (3)
ELCT 101: DC Circuit Analysis (4)
ELCT 102: AC Circuit Analysis (4)
ELCT 105L: Electro Mechanical Shop Practice (3)
ELCT 112L: RF/Power Lab (1)
ELCT 114: Vacuum Systems (1)
ELCT 203: Electronic Devices (4)
ELCT 204L: Electronics Lab (2)
ELCT 205: Mechatronics (4)

6. Computer Technology (3 credit hours)

CT 111: Introduction to Computer Aided Drafting and Design (3)

7. Electives (12 credit hours)

Select from the following:

AMST 182: Introduction to Environment, Science, and Technology. (3)
CT 119: Intermediate Computer-Aided Drafting and Design (3)
DRFT 220: Fundamentals of Geometric Dimensioning and Tolerancing (3)
ELCT 137: Digital Electronics I (Combinational Logic) (3)
ELCT 296: Cooperative Practicum I, II, or III (1-3)
MATH 150: Pre-Calculus Mathematics (3)
MCHT 101: Basic Welding (4)
MCHT 120: GTAW Welding (3)



Associate of Applied Science in General Studies

About the Program

The Associate of Applied Science in General Studies is designed to provide students with the opportunity to develop programs of study not available through other UNM-Los Alamos programs. A student's program may reflect either specialized or broad patterns of educational experience. Most general education courses articulate with many four-year college programs. Students planning to pursue baccalaureate degrees should familiarize themselves with the requirements of transfer institutions.

Specific Requirements

1. A minimum of 63 credit hours with a minimum grade point average of 2.0.

At least 15 of these 63 hours must be UNM-LA catalog credit courses taken in residence.

2. Writing and Speaking (9 credit hours)

Select from the following:

- ENGL 101: Composition I: Exposition (3)
- ENGL 102: Composition II: Analysis & Argument (3)
- ENGL 119: Technical Communications (3)
- ENGL 219: Technical Writing (3)
- Communication & Journalism elective (3)

3. Fine Arts (3 credit hours)

4. Mathematics and Statistics/Natural and Physical Sciences (10 credit hours)

Students must complete three courses, one of which must include a lab. Students are encouraged to select from UNM Core Curriculum in Physical/Natural Sciences or Mathematics.

5. Humanities (6 credit hours)

Students are encouraged to select from UNM Core Curriculum in Humanities.

6. Social and Behavioral Sciences (6 credit hours)

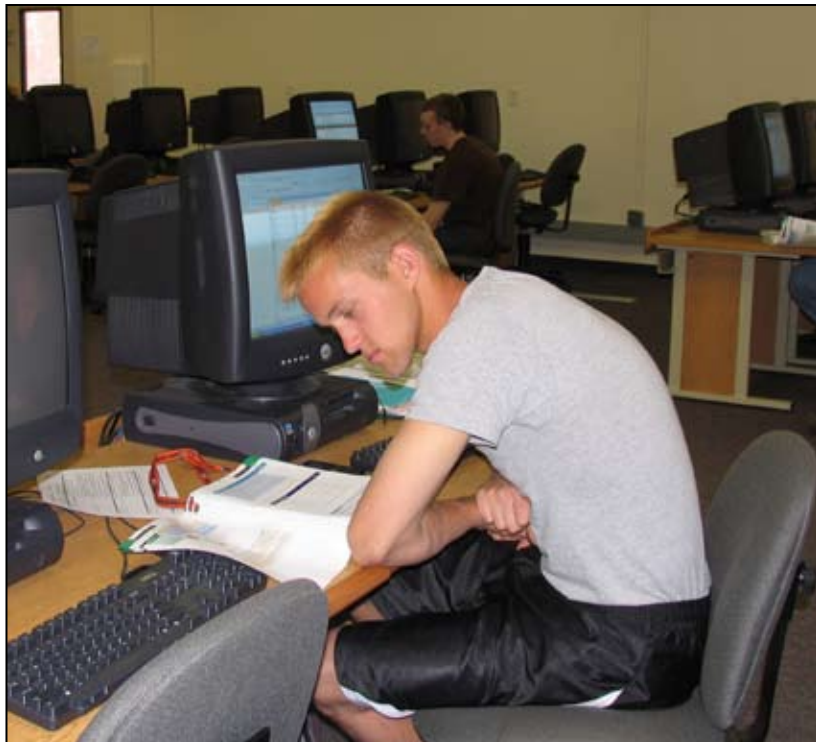
Students are encouraged to select from UNM Core Curriculum in Social and Behavioral Sciences.

7. Foreign Language (3 credit hours)

8. Computer Science/Computer Technology/ Information Technology (3 credit hours)

9. General Education Electives (23 credit hours)

Students must complete 23 credit hours of electives of which 15 must be academic (i.e., numbered 101 or higher.); the remaining credits may be selected from any course listed in the UNM-Los Alamos Catalog.



Associate of Applied Science in Network Administration

About the Program

This degree program is designed to teach students the skills to install and maintain a networked environment. It covers foundation skills in the area of basic system administration and basic network administration. Students learn about such concepts as network servers and workstations, network organizations, data administration, hardware and software installation, and the integration of multiple platform environments. Students graduating with this degree will be able to work as system and network administrators in a small business environment with a networked computing facility.

About the Windows Concentration

Building on the basic core skills and techniques taught In the Associate of Applied Science In Network Administration, the *Windows Concentration* highlights the technical and customer service skills necessary to troubleshoot hardware and Microsoft-based software operation issues in the workplace. Students will also learn to administer, troubleshoot, and support Microsoft-based network systems. *This concentration is valuable as a stand-alone degree and will prepare the student to take Microsoft Certification Exams for the: MCP, MCDST, and MCSA certifications as well as the CompTIA A+, Network+ and Security + exams.*

About the LINUX/UNIX Concentration

Building on the basic core skills and techniques taught In the AAS in Network Administration, students in the *Linux/UNIX Concentration* will learn foundational proficiency in everyday management of Linux-based clients and basic management of server systems. In addition, students will focus on specialized topics in fundamental management of Linux systems from the command line, demonstrate knowledge of user administration, and understand file permissions, software configurations, and management of Linux-based clients, server systems and security. *This concentration is valuable as a stand-alone degree or may assist students who wish to transfer to a Computer Science degree at some four-year Institutions.*

Specific Requirements

1. A minimum of 65 credit hours with a minimum grade point average of 2.0.

At least 15 of these 65 hours must be UNM-LA Catalog credit courses taken in residence. A student may take a course with a CR/NC grading option in Technical Electives only, for a maximum of 6 credit hours. Please see an advisor regarding the eligibility of a particular CR/NC class.

2. Minimum grade of C (not C-) in each Technical Course (Section 4 below).

3. Writing and Speaking (9 credit hours)

ENGL 101: Composition I: Exposition (3)
ENGL 119: Technical Communications (3)
CJ 221: Interpersonal Communication (3)

or

CJ 225: Small Group Communication (3)

4. Technical Courses (38-43 credit hours)

Technical Courses Common to Both Concentrations (28 credit hours)

BSTC 204: Human Relations in Business (3)
CS 101: Introduction to Computer Science (4)

CS 220: Systems Analysis and Design (3)
IT 109: Information Technology Cooperative Education (3)

or

IT 235: Windows System Administration (3)
IT 119: Networking Core Concepts (3)
IT 131: Introduction to Hardware Installation (3)
IT 132: Microcomputer Operating Systems (3)
IT 225: TCP/IP (3)
IT 260: Network Security Practices (3)

A student will select from one of two concentrations:

Technical Courses for Windows Concentration (15 credit hours):

CS 160: Introduction to JAVA (3)

or

CS 170: Introduction to Visual Basic (3)
IT 124: Windows Client OS (3)
IT 126: Windows Server OS (3)
IT 226: Web Server Technology (3)
IT 229: Networking Infrastructure (3)

Associate of Applied Science in Network Administration, continued

Technical Courses for LINUX/UNIX

Concentration (10 credit hours):

CS 103: Advanced LINUX/UNIX (1)
CS 151L: Computer Programming Fundamentals
for Non-Majors (3)
IT 237: LINUX/UNIX System Administration I (3)
IT 238: LINUX/UNIX System Administration II (3)

5. Humanities/FineArts/Social Sciences

PHIL 156: Reasoning and Critical Thinking (3)

6. Physical Science (4 credit hours)

PHYC 102: Introduction to Physics (3)
PHYC 102L: Introduction to Physics Laboratory (1)

7. Mathematics and Statistics

Students will select according to their concentration.

Windows Concentration (3-4 credit hours)

MATH 106: Problems in Intermediate Algebra (1)
and
MATH 120: Intermediate Algebra (3)

OR

MATH 107: Problems in College Algebra (1)
and
MATH 121: College Algebra (3)

OR

MATH 150: Pre-Calculus Mathematics (3)

LINUX/UNIX Concentration (3 credit hours)

MATH 150: Pre-Calculus Mathematics (3)

8. Technical Electives

Students will select according to their concentration.

Windows Concentration (2-3 credit hours)

Select from the following:

CS 103: Advanced LINUX/UNIX (1)
CS 151L: Computer Programming Fundamentals
for Non-Majors (3)
CS 180: Introduction to PERL (3)
IT 109: Information Technology Cooperative
Education (3)
IT 237: LINUX/UNIX System
Administration I (3)
IT 238: LINUX/UNIX System
Administration II (3)
IT 235: Windows Systems Administration (3)
IT 141: Help Desk I (3)

LINUX/UNIX Concentration (8 credit hours)

Select from the following:

CS 152L: Computer Programming Fundamentals
for Computer Science Majors (JAVA) (3)
CS 160: Introduction to JAVA (3)
CS 170: Introduction to Visual Basic (3)
CS 180: Introduction to PERL (3)
IT 109: Information Technology
Cooperative Education (3)
IT 124: Windows Client OS (3)
IT 126: Windows Server OS (3)
IT 226: Web Server Technology (3)
IT 229: Networking Infrastructure (3)
IT 235: Windows System Administration (3)

9. In order to monitor degree content and insure consistently high quality degree, students are discouraged from transferring too many credit hours from another institution towards the Technical Courses required for this degree. Please work with your advisor and/or the published Course Rotation Sequence for this degree to help you schedule the Technical Courses and Electives here at UNM-LA.

10. As is the nature of all technical or computer-related degrees, course content is susceptible to rapid change. In order to provide a quality degree that meets UNM and industry standards, our degrees are reviewed regularly for up-to-date content. All students officially enrolled in a degree will be notified if/when the degree substantially changes. In order to best prepare students for the current job market, students lingering in an outdated degree program will be encouraged to work towards the updated degree plan. In addition, outdated or deleted courses will not be supported, so course substitutions will be inevitable for students working towards an outdated degree.

Associate of Applied Science in Office Communications and Technology

About the Program

The Associate of Applied Science Degree in Office Communications and Technology covers the skills required for effective administrative support. The program is designed for students seeking positions as administrative assistants, office assistants, and secretaries in technical/scientific government or private business office environments.

Specific Requirements

1. A minimum of 64 credit hours with a minimum grade average of 2.0.

At least 15 of these 64 hours must be UNM–Los Alamos catalog credit courses.

2. Writing and Speaking (18 credit hours)

English (12 credit hours)

- ENGL 101: Composition I: Exposition (3)
- ENGL 102: Composition II: Analysis and Argument (3)
- ENGL 219: Technical and Professional Writing (3)
- ENGL 240: Traditional Grammar (3)

Communication Skills (6 credit hours)

- BSTC 203: Business Communications (3)
- CJ 225: Small Group Communication (3)

3. Business Technology (18 credit hours)

- MGMT 101: Fundamentals of Accounting I (3)
- MGMT 101L: Fundamentals of Accounting I Lab (1)
- MGMT 113: Management: An Introduction (3)
- BSTC 114: Customer Service & Relations (1)
- BSTC 115: Time Management for Professionals (1)
- BSTC 116: Stress Management for the Workplace (1)
- BSTC 117: Organization Skills for the Workplace (1)
- BSTC 118: Conflict Resolution for the Workplace (1)
- BSTC 202: Microcomputer Accounting (3)
- BSTC 204: Human Relations in Business (3)

4. Computer Technology or Information Technology (14 credit hours)

- CT 102: Introduction to Microcomputers on the PC (4) (crosslisted as CS150L: Computing for Business Students(3))
- CT 106L: Microsoft WORD (3)
- CT 140: Introduction to PowerPoint (1)
- CT 202: Applications of Spreadsheets: EXCEL (3)
- CT 203: Introduction to Desktop Publishing (3) (crosslisted as DMA 203)

5. Mathematics and Statistics (4 credit hours)

- MATH 106: Problems in Intermediate Algebra (1)
- and*
- MATH 120: Intermediate Algebra (3)

6. Fine Arts/Humanities/Language (4 credit hours)

It is recommended to choose any course from the current UNM Fine Arts, Humanities, or Language Core Curriculum (3-4). It is strongly advised that students enroll in one of the following Spanish courses, depending on previous Spanish language experience:

- SPAN 101: Elementary Spanish (3)
and lab SPAN 103L: Elementary Spanish Conversation (1)
- or*
- SPAN 102: Elementary Spanish (3) (2nd half)
and lab SPAN 104L (1)

7. Social/Behavioral Sciences (6 credit hours)

Choose 6 credit hours from the following:

- PSY 105: General Psychology (3)
- SOC 101: Introduction to Sociology (3)
- ECON 105: Introduction to Macroeconomics (3)
- ECON 106: Introduction to Microeconomics (3)

Associate of Applied Science in Technical Support

About the Program

The Associate of Applied Science in Technical Support will provide customer and technical support through analysis and problem solving to facilitate installation, implementation, maintenance, education, and documentation of a variety of computer-related technologies. A student with this degree will be able to field customer calls, gather appropriate information about customer software and hardware problems, and help the customer solve their problem.

Specific Requirements

1. A minimum of 65 credit hours with a minimum cumulative grade point average of 2.0

At least 15 of these 65 hours must be UNM-LA catalog credit courses taken in residence. A student may take a course with a CR/NC grading option in Technical Electives only, for a maximum of 6 credit hours. Please see an advisor regarding eligibility of a particular CR/NC class.

2. Minimum grade of C (not C-) in each Technical Course (Section 4 below).

3. Writing and Speaking (9 credit hours)

ENGL 101: Composition I: Exposition (3)

ENGL 119: Technical Communications (3)

CJ 221: Interpersonal Communications

or

CJ 225: Small Group Communications (3)

4. Technical Courses (36 credit hours)

CS 101: Introduction to Computer Science (4)

CS 170: Introduction to Visual Basic (3)

or

CS 151L: Computer Programming Fundamentals for Non-Majors (3)

or

CS 160: Introduction to JAVA (3)

CT 102: Introduction to Microcomputers on the PC (4)

CT 140: Introduction to PowerPoint (1)

CT 202: Applications of Spreadsheets (3)

IT 119: Networking Core Concepts (3)

IT 131: Introduction to Hardware Installation (3)

IT 132: Microcomputer Operating Systems (3)

IT 141: Help Desk I (3)

IT 240: Help Desk II (3)

or

IT 109: Information Technology Cooperative Education (3)

IT 235: Windows System Administration (3)

BSTC 204: Human Relations in Business (3)

5. Humanities/Fine Arts/Social Science (6 credit hours)

PHIL 156: Reasoning and Critical Thinking (3)

Select 3 additional credit hours from UNM Core Curriculum.

6. Mathematics and Statistics (3 - 4 credit hours)

MATH 106: Problems in Intermediate Algebra (1)

and

MATH 120: Intermediate Algebra (3)

OR

MATH 107: Problems in College Algebra (1)

and

MATH 121: College Algebra (3)

OR

MATH 150: Pre-Calculus Mathematics (3)

7. Physical Science (4 credit hours)

PHYC 102: Introduction to Physics (3)

and

PHYC 102L: Introduction to Physics Laboratory (1)

OR

PHYC 160: General Physics (3)

and

PHYC 160L: General Physics Laboratory (1)

8. Technical Elective (6-7 credit hours)

CT 201: Applications of Relational Databases (4)

Select any IT, CS, or DMA course not used as a Technical Course under item # 4.



Associate of Applied Science in Web Technologies

The Associate of Applied Science Degree in Web Technologies has two concentrations available, one in Web Design and one in Web Development.

About the Program

The Associate of Applied Science Degree in Web Technologies prepares students to design and develop websites. The kinds of websites students will learn to design and develop include a range from relatively simple websites that provide information, to complex, large-scale websites that provide information, and interactive websites that allow users to perform transactions. Students will learn the fundamental tools of web design and development: HTML (Hypertext Markup Language), CSS (Cascading Style Sheets), JavaScript, DHTML (Dynamic HTML). Students will integrate these tools, techniques, and principles in the design and development of complex websites in a course on creating a web portfolio. Upon graduation, they will be prepared to work in web design companies, in small businesses and institutions as the sole web designer and developer, or in large businesses and institutions as part of a team of web designers and developers.

About the Web Design Concentration

Building on the basic core technologies and techniques of web development, the Web Technologies Web Design Concentration highlights classic design principles. The student will learn how color, fonts, white space, and other design principles can enhance their web site along with advanced techniques using multimedia, graphics, and digital photography. They will learn the techniques of information architecture and the principles of web usability.

About the Web Development Concentration

Building on the basic core technologies and techniques of web development, students in the Web Technologies Web Development Concentration will learn how to create forms for transactional websites using Perl, PHP, CGI, AJAX, XML, and other server-side tools and techniques. Advanced techniques using web server-side technologies (middle-ware) to interact with standard relational databases to enhance the interactivity and usability of a web site to collect and share data will be emphasized. Students will learn basic programming principles, as well as advanced web techniques such as AJAX.

Specific Requirements

1. A minimum of 65 credit hours with a minimum cumulative grade point average of 2.0

At least 15 of these 65 hours must be UNM-LA catalog credit courses taken in residence. A student may take a course with a CR/NC grading option in Technical Electives only, for a maximum of 6 credit hours. Please see an advisor regarding eligibility of a particular CR/NC class.

2. Minimum grade of C (not C-) in each Technical Course (Section 4 below).

3. Writing and Speaking (9 credit hours)

ENGL 101: Composition I: Exposition (3)
ENGL 119: Technical Communications (3)

or

ENGL 102: Composition II: Analysis & Argument (3)
CJ 221: Interpersonal Communications (3)

or

CJ 225: Small Group Communications (3)

4. Technical Courses (34-36 credit hours total)

(Note: Courses flagged with an asterisk are prerequisites for other courses in the series, so they should be taken as soon as possible.)

Technical Courses Common to Both Concentrations (15 credit hours)

IT 145*: Web Design Fundamentals: HTML and Introduction to Style Sheets (3)

IT 148*: Web Design: Introduction to JavaScript and DHTML (3)

IT 152: Advanced CSS (3)

IT 244: Information Architectures for Complex Web Sites (3)

IT 246: Web Design: Creating a Portfolio (3)

Associate of Applied Science in Web Technologies, continued

Students will select from one of the two following concentrations:

Technical Courses for Web Design Concentration ***(19 credit hours)***

CT 102: Introduction to Microcomputers on the PC (4)
DMA 165: Digital Media Arts I (Photoshop) (3)
DMA 166: Digital Media Arts II (Illustrator) (3)
DMA 240: Audio/Video for the Web (3)
DMA 250: Web Animation and Interactive Multimedia Design (Flash) (3)
IT 147: Web Usability (3)

Technical Courses for Web Development Concentration ***(21 credit hours)***

CS 101: Introduction to Computer Science (3)
IT 119*: Networking Core Concepts (3)
IT 226: Web Servers (3)
IT 241: Introduction to XML (3)
IT 242*: Introduction to Forms (3)
IT 243*: Introduction to PHP (3)
IT 245: Introduction to MySQL (3)

5. Mathematics and Statistics (3 credit hours)

MATH 150: Pre-Calculus Mathematics (3)

6. Physical Science (4 credit hours)

Select from the following:

ASTR 101/101L, BIOL 110/112L, BIOL 123/124L, BIOL 201, BIOL 202, CHEM 111L, CHEM 121/123L, CHEM 122/124L, ENVS 101/102L, EPS 101/105L, GEOL 101, GEOL 105L, PHYC 102/102L, PHYC 151/151L, PHYC 152/152L, PHYC 160/160L.

7. Humanities/Fine Arts/Social/Behavioral Science (3 credit hours)

PHIL 156: Reasoning and Critical Thinking (3)

8. Technical Electives (10-12 credit hours)

Choose courses from the following electives that are not included in your concentration's technical core courses:

IT 147: Web Usability (3)
IT 165: Introduction to Web Authoring (3)
IT 241: Introduction to XML (3)
IT 242: Introduction to Forms (3)
IT 243: Introduction to PHP (3)
IT 245: Introduction to MySQL (3)
DMA 165: Digital Media Arts I (Photoshop) (3)
DMA 166: Digital Media Arts II (Illustrator) (3)
DMA 203: Introduction to Desktop Publishing (3)
DMA 240: Audio/Video for the Web (3)
DMA 250: Web Animation and Interactive Multimedia Design (Flash) (3)
CS 151L: Computer Programming Fundamentals for Non-Majors (3)
CS 170: Introduction to Visual Basic (3)
CS 180: Introduction to PERL (3)
MGMT 222: Introduction to Marketing (3)

9. In order to monitor degree content and insure a consistently high quality degree, students are discouraged from transferring too many credit hours from another institution towards the Technical Courses required for this degree. Please work with your advisor and/ or the published Course Rotation Sequence for this degree to help you schedule the Technical Courses here at UNM-LA

10. As is the nature of all technical or computer-related degrees, course content is susceptible to rapid change. In order to provide a quality degree that meets UNM and industry standards, our degrees are reviewed regularly for up-to-date content. All students officially enrolled in a degree will be notified if/when the degree substantially changes. In order to best prepare students for the current job market, students lingering in an outdated degree program will be encouraged to work towards the updated degree plan. In addition, outdated or deleted courses will not be supported, so course substitutions will be inevitable for students working towards an outdated degree.

Academic Certificates

Certificate in Accounting

This certificate represents completion of a course of studies related to the field of Accounting. It may be used as a terminal certificate with subsequent entrance into the work force, or it may form the basis for additional course work leading to an associate's degree in other fields.

A minimum cumulative grade point average of 2.0 is required in all Core Courses.

Technical Courses (33 Credit Hours):

ENGL 101: Composition I: Exposition (3)
MATH 107: Problems in College Algebra (1)
MATH 121: College Algebra (3)
MGMT 101: Fundamentals of Accounting I (3)
MGMT 101L: Fundamentals of Accounting I Lab (1)
MGMT 102: Fundamentals of Accounting II (3)
MGMT 102L: Fundamentals of Accounting II Lab (1)
MGMT 113: Management: An Introduction (3)
BSTC 202: Microcomputer Accounting (3)
BSTC 204: Human Relations in Business (3)
BSTC 212: Introduction to Income Tax (3)
CS 150: Computing for Business Students (3)
CT 202: Applications of Spreadsheets (3)

Technical Elective (3)

Choose from the following courses:

BSTC 203: Business Communication (3)
BSTC 213: Auditing (3)
BSTC 214: Government/Not for Profit Accounting (3)
BSTC 296: Business Cooperative Work Phase I, II, or III (3)
BSTC 193: Topics (1-4)
BSTC 293: Topics (1-4)

(Note that various topics courses will be offered and students may receive credit for taking multiple topics courses)

Total credit hours = 36

Certificate in Business **(Concentrations in Management or Marketing)**

This certificate represents completion of a course of studies related to the field of Business, with a concentration in either Management or Marketing. It may be used as a terminal certificate with subsequent entrance into the work force, or it may form the basis for additional course work leading to an associate's degree.

Select a Certificate with a concentration in either Management or Marketing.

Management Concentration

ENGL 101: Composition I: Exposition (3)
BSTC 203: Business Communication (3)
BSTC 204: Human Relations in Business (3)
ECON 106: Introduction to Microeconomics (3)
CJ 130: Public Speaking (3)
MGMT 101: Fundamentals of Accounting I (3)
MGMT 101L: Fundamentals of Accounting I Lab (1)
MGMT 102: Fundamentals of Accounting II (3)
MGMT 102L: Fundamentals of Accounting II Lab (1)
MGMT 113: Management: An Introduction (3)
BSTC 220: Management Accounting (3)
*CS 150: Computing for Business Students (3)

Select 3 credits from the following:

BSTC 114: Customer Service and Relations (1)
BSTC 115: Time Management (1)
BSTC 116: Stress Management for the Workplace (1)
BSTC 117: Organization Skills for the Workplace (1)
BSTC 118: Conflict Resolution for the Workplace (1)

Total credit hours = 35

Marketing Concentration

ENGL 101: Composition I: Exposition (3)
BSTC 203: Business Communication (3)
ECON 106: Introduction to Microeconomics (3)
CJ 130: Public Speaking (3)
MGMT 222: Introduction to Marketing (3)
*DMA 101: Introduction to Digital Imaging and Scanning (1)
DMA 165: Introduction to Digital Media Arts (Photoshop) (3)
DMA 203: Introduction to Desktop Publishing (3)
MGMT 101: Fundamentals of Accounting I (3)
MGMT 101L: Fundamentals of Accounting I Lab (1)
*CS 150: Computing for Business Students (3)
CT 165: Introduction to Web Authoring (3)

Select 3 credits from the following:

BSTC 114: Customer Service and Relations (1)
BSTC 115: Time Management (1)
BSTC 116: Stress Management for the Workplace (1)
BSTC 117: Organization Skills for the Workplace (1)
BSTC 118: Conflict Resolution for the Workplace (1)

Total credit hours = 35

Certificate in Computer Science

The intent of this program is to provide students with a set of skills and knowledge in the area of computer programming. The course requirements cover the basic principles and methodologies of discrete mathematics, problem analysis and algorithm development, high-level programming languages, and techniques for software engineering. Students completing this certificate will have the skills to do some entry-level code writing, code maintenance, and code testing. Students will select one of two concentrations: a Programming Concentration or a Game Development Concentration. Students earning the Programming Concentration will focus on software development tools. Students earning the Game Development Concentration will focus on game development techniques, animation, and simple character development.

**A minimum grade of "C" (not C-) or better is required in each Technical Course.
Students will select one or the other concentration:**

Programming Concentration

Technical Courses: (30 credit hours)

ENGL 101: Composition I: Exposition (3)
CS 152L: Computer Programming Fundamentals for
Computer Science Majors (3)
CS 220: Systems Analysis & Design (3)
CS 241L: Data Organization (3)
CS 251L: Intermediate Programming (3)
CS 257L: Nonimperative Programming (3)
CS 258: Introduction to Object Oriented
Programming (2)
CS 260: Introduction to Applied Software
Engineering (2)
CS 261: Mathematical Foundations of
Computing Science (3)
CS 293: Social and Ethical Issues in Computing (1)
ECE 238L: Computer Logic Design (4)

Technical Electives: (3 credit hours)

Choose from one of the following:

CS 148: Introduction to Programming in C++(3)
CS 151L: Computer Programming Fundamentals
for Non-Majors (MATLAB) (3)
CS 170: Introduction to Visual Basic (3)
CS 180: Introduction to PERL (3)

Total credit hours = 33

Game Development and Interactive Simulation Concentration

Required Courses: (34 credit hours)

ENGL 101: Composition I: Exposition (3)
CS 148: Introduction to Programming in C++(3)
CS 152L: Computer Programming Fundamentals for
Computer Science Majors (3)
CS 220: Systems Analysis & Design (3)
CS 241L: Data Organization (3)
CS 251L: Intermediate Programming (3)
CS 293: Social and Ethical Issues in
Computing (1)
IT 119: Networking Core Concepts (3)
GAME 100*: Introduction to Game Project(3)
GAME 150*: Game Project I (3)
GAME 200*: Game Project II (3)
GAME 250: Game Project III (3)

Total credit hours = 34

Certificate in Digital Media Arts

This program of study instructs the student in graphics, animation and multimedia using digital tools -- hardware and software -- to produce visual content-based projects for screen display or the World Wide Web, for "land-based" traditional output or printing. It addresses simultaneously the impact of digital media on our culture and graphic design/visual problem-solving issues. Students are prepared for employment in the fields of graphic design, multimedia design, and web multimedia content.

A minimum cumulative grade point average of 2.5 is required in all courses.

ENGL 101: Composition I: Exposition (3)

ARTS 121: Two-Dimensional Design (3)

CT 125: Introduction to Macintosh (1)

or

CT 122: Introduction to Microcomputers on the Macintosh (3)

DMA 101: Introduction to Digital Imaging & Scanning (1)

DMA 165: Digital Media Arts I (Photoshop) (3)

DMA 166: Digital Media Arts II (Illustrator) (3)

DMA 175: Digital Imaging and Photography (Photoshop) (3)

DMA 203: Introduction to Desktop Publishing (3)

DMA 240: Web Audio/Video (3)

DMA 250: Web Animation and Interactive Multimedia Design (3)

IT 145: Web Design Fundamentals: HTML and Style Sheets (3)

IT 165: Introduction to Web Authoring (3)

Total credit hours = 32 - 34

Certificate in Electro Mechanical Technology

This certificate represents completion of a course of studies related to the field of Electro Mechanical Technology. It may be used as a terminal certificate with subsequent entrance into the work force, or it may form the basis for additional course work leading to an associate degree in this or another field.

CHEM 111L: Elements of Chemistry (4)

CT 111: Introduction to Computer Aided Drafting and Design (3)

DRFT 103: Introduction to Drafting (3)

DRFT 119: Drafting & Blueprint Reading (3)

ELCT 101: DC Circuit Analysis (4)

ELCT 102: AC Circuit Analysis (4)

ELCT 105L: Electromechanical Shop Practice (3)

ELCT 112L: RF/Power Lab (1)

ELCT 114: Vacuum Systems (1)

ENGL 101: Composition I: Exposition (3)

MATH 107: Problems in College Algebra (1)

MATH 121: College Algebra (3)

MATH 123: Trigonometry (3)

PHYC 102: Introduction to Physics (3)

PHYC 102L: Physics Laboratory (1)

Total credit hours = 40

Certificate in Early Childhood Multicultural Education

Offered only at UNM-Los Alamos Bernalillo Education Center

The Certificate in Early Childhood Multicultural Education is designed as a basic professional preparation program for students who wish to work with children from birth through age eight in various inclusive settings such as K-3, Head Start, child care, and home care providers, teachers, assistants, and administrators. This competency based program will provide education in the theories and practices of child development and early childhood education. As part of the certificate, students will complete the academic requirements for the Child Development Associate (CDA) credential. All courses completed in this program are fully transferable into the Associate of Arts Degree program

A minimum cumulative grade point average of 2.0 is required in all courses.

ENGL 101: Composition I: Exposition (3)
ECME 101: Child Growth, Development and Learning (3)
ECME 103: Health, Safety and Nutrition (2)
ECME 111: Family and Community Collaboration I (3)
ECME 115: Guiding Young Children (3)
ECME 117: Curriculum Development and Implementation I (3)
ECME 117L: Curriculum Development and Implementation Practicum I (2)
ECME 202: Introduction to Reading and Literacy Development (3)
ECME 217: Curriculum Development and Implementation II (3)
ECME 217L: Curriculum Development and Implementation Practicum II (2)
ECME 220: Assessment of Children and Evaluation of Program (3)
ECME 230: Professionalism (2)

Total credit hours = 32



Pre-Professional Certificate in Elementary Education

Offered only at UNM-Los Alamos Bernalillo Site

This Certificate is designed to meet Level III/Paraprofessional licensure for educational assistants. It is the student's responsibility to contact his/her education adviser before registering for courses in the certificate program.

Specific Requirements: 31 total credit hours.

GENERAL EDUCATION REQUIREMENTS: 28 credit hours

Communications: 6 credits:

ENGL 101: Composition I: Exposition (3)

CJ 220: Communication for Teachers (3)

Fine Arts: 3 credits

ARTH 101: Introduction to Art (3) OR

MUSE 293: Multicultural Awareness through Music (3) OR

MUSE 298: Music for Elementary Teachers (3)

History: 6 credits

HIST 101L: Western Civilization (3)

or

HIST 102L: Western Civilization (3)

HIST 161L: History of the United States to 1877 (3)

or

HIST 162L: History of the United States since 1877 (3)

or

HIST 260: History of New Mexico (3)

Physical and Natural Science: 4 credits

NTSC 261L: Physical Science (4)

Mathematics: 3 credits

MATH 111: Mathematics for Elementary and Middle School Teachers I (3)

Behavioral & Social Sciences: 3 credits

Choose from:

ANTH 101

ANTH 130

ECON 105

ECON 106

GEOG 102

POLS 110

POLS 200

PSY 105 (highly recommended)

SOC 101

Foreign Language: 3 credits

SPAN 101 highly recommended.

EDUCATION REQUIREMENTS: 3 credits

LLSS 183: Introduction to Education New Mexico (3) OR

LLSS 290: Foundations of Education (3)

Total: 31 credit hours.

Certificate in Materials Science Technology

Note: No new applications are being accepted at this time.

The Materials Science Technology certificate is designed to prepare students for a career as technicians in the expanding field of Materials Science. Coursework offered provides the student with an overview of manufacturing processes and experience in areas such as microscopy and microstructures, mechanical behavior, and materials selection. Upon completion, the student will be prepared to join the workforce in a variable size organization and/or elect to pursue additional technology training.

A minimum cumulative grade point average of 2.0 is required in all courses.

ENGL 101: Composition I: Exposition (3)
ENGL 119: Technical Communications (3)
MATH 107: Problems in College Algebra (1)
MATH 121: College Algebra (3)
MATH 123: Trigonometry (3)
CHEM 111L: Elements of General Chemistry (4)
MST 101: Introduction to Materials Science Technology I (4)
MST 102: Introduction to Materials Science Technology II (4)
MST 104: Introduction to Microscopy and Microstructures (3)
MST 109: Materials Processing and Manufacturing (3)
MST 110: Introduction to Mechanical Behavior of Materials (3)
MST 112: Introduction to Phase Transformations (3)
MST 296: Materials Science Technology Cooperative Work Phase (1)
PHYC 102: Introduction to Physics (3)
PHYC 102L: Physics Laboratory

Total credit hours = 42



Certificate in Network Administration

This degree program is designed to teach students the skills to install and maintain a networked environment. It covers foundation skills in the area of basic system administration and basic network administration. Students learn about such concepts as network servers and workstations, network organizations, data administration, hardware and software installation, and the integration of multiple platform environments.

A minimum of 39 credit hours, with a minimum grade point average of 2.5 in the Technical Courses.

Technical Courses (35-38 total hours):

Courses Common to Both Concentrations (22 credit hours)

ENGL 101: Composition I: Exposition (3)
CS 101: Introduction to Computer Science (4)
IT 119: Networking Core Concepts (3)
IT 131: Introduction to Hardware Installation (3)
IT 132: Microcomputer Operating Systems (3)
IT 225: TCP/IP (3)
IT 260: Network Security Practices (3)

Students will select from one of two concentrations below:

LINUX/UNIX Concentration (13 credit hours)

CS 103: Advanced LINUX/UNIX (1)
CS 151L: Computer Programming Fundamentals for Non-Majors (3)
IT 237: LINUX/UNIX System Administration I (3)
IT 238: LINUX/UNIX System Administration II (3)
MATH 150: Pre-Calculus Mathematics (3)

Windows Concentration (15-16 credit hours)

IT 124: Windows Client Operating Systems (3)
IT 126: Windows Server Operating Systems (3)
IT 226: Web Server Technology (3)
IT 229: Networking Infrastructure (3)
MATH 106: Problems in Intermediate Algebra (1)
and
MATH 120: Intermediate Algebra (3)
OR
MATH 107: Problems in College Algebra (1)
and
MATH 121: College Algebra (3)
OR
MATH 150: Pre-Calculus Mathematics (3)

Technical Electives (1-4 credit hours)

Select a course (or courses) from the following list that were not applied as a Technical Course above:

CS 103: Advanced LINUX/UNIX (1)
CS 151L: Computer Programming Fundamentals for Non-Majors (3)
CS 152L: Computer Programming Fundamentals for Computer Science Majors (3)
CS 160: Introduction to JAVA (3)
CS 170: Introduction to Visual Basic (3)
CS 180: Introduction to PERL (3)
CS 220: Systems Analysis and Design (3)
IT 109: Information Technology Cooperative Education (3)
IT 124: Windows Client Operating Systems (3)
IT 126: Windows Server Operating Systems (3)
IT 226: Web Server Technology (3)
IT 229: Networking Infrastructure (3)
IT 235: Windows System Administration (3)
IT 237: LINUX/UNIX System Administration I (3)
IT 238: LINUX/UNIX System Administration II (3)

Total Credit Hours: 39

Certificate in Office Communications and Technology

The Certificate in Office Communications and Technology covers the skills required for effective administrative support. The program is designed for students seeking positions as administrative assistants, office assistants, and secretaries in technical/scientific government or private business office environments.

A minimum cumulative grade point average of 2.0 is required in all courses.

CJ 225: Small Group Communications (3)
ENGL 101: Composition I: Exposition (3)
ENGL 240: Traditional Grammar (3)
BSTC 202: Microcomputer Accounting (3)
BSTC 203: Business Communications (3)
MGMT 101: Fundamentals of Accounting I (3)
MGMT 101L: Fundamentals of Accounting I Lab (1)
CT 102: Introduction to Microcomputers on the PC (4)
(crosslisted as CS150L: Computing for Business Students(3))
CT 106L: Microsoft WORD (3)
CT 140: Introduction to PowerPoint (1)
CT 202: Applications of Spreadsheets: EXCEL (3)

Choose 3 credit hours from the following:

BSTC 114: Customer Service & Relations (1)
BSTC 115: Time Management for Professionals (1)
BSTC 116: Stress Management for the Workplace (1)
BSTC 117: Organization Skills for the Workplace (1)
BSTC 118: Conflict Resolution for the Workplace (1)

Total credit hours = 33



Certificate in Southwest Studies

The American Southwest is a unique, multicultural setting with a rich and varied history. UNM–Los Alamos offers a certificate program in this area to help students understand, appreciate, and preserve the cultural setting of the Southwest. The Certificate in Southwest Culture Studies is designed for students who wish to gain valuable knowledge of local and regional history, language, art, ecology, anthropology, and literature of the three cultures of the Southwest. This certificate supports employment in museums, art galleries, and cultural and research organizations, as well as business majors/entrepreneurs interested in tourism.

A minimum cumulative grade point average of 2.0 is required in all courses.

Required courses (21 credit hours)

ARTH 251: Artistic Traditions of the Southwest (3)

AMST 186: Introduction to Southwest Studies (3)

CJ 130: Public Speaking (3)

ENGL 101: Composition I: Exposition (3)

HIST 260: History of New Mexico (3)

MATH 107: Problems in College Algebra (1)

and

MATH 121: College Algebra or higher (3)

or

STAT 145: Introduction to Statistics (3)

SPAN 101: Elementary Spanish (3)

Physical and Natural Sciences (4)

Physical and Natural Sciences (4)

Choose one course including related lab from:

ANTH 121L: Archeological Methods and Theory (4)

ASTR 101/101L: Introduction to Astronomy/Lab (3,1)

BIOL 110/112L: Biology for Non-Majors/Lab (3,1)

BIOL 123: Biology for Health-Related Sciences and Non-Majors (3)

BIOL 124L: Biology for Health-Related Sciences and Non-Majors Laboratory (1)

BIOL 201: Molecular and Cell Biology (4)

EPS 101/105L: How the Earth Works: An Introduction to Geology/Lab (3,1)

GEOG 101/105L: Physical Geography (3,1)

Social and Behavioral Sciences (3):

Choose any from the UNM Core Curriculum. Recommendations are:

AMST182,185;

ANTH 101, 130;

GEOG 102;

LING 101 (Also offered as Anthropology110);

POLS 110, 200, 220, 240;

PSY105;

SOC 101

Electives (6)

Choose any course(s) from the current UNM–Los Alamos catalog.

Recommendations are:

AMST: any not already chosen

ENGL 102: Composition II: Analysis and Argument (3)

CJ 115: Communication Across Cultures (3)

Total credit hours = 34

Certificate in Studio Art

The Studio Art Certificate program enables students to concentrate on specific areas of study within this field. Students are required to take both academic and studio art classes to fulfill the certificate requirements. Like the Associate of Arts in Studio Art, courses and course sequences are designed to encourage the student's power of observation and aesthetic awareness. Simultaneously students are taught technique and craft to use these powers creatively.

ARTH 201: History of Art I (3)
ARTH 202: History of Art II (3)
ARTH 250: Modern Art (3)
ARTS 106: Drawing I (3)
ARTS 121: Two-dimensional Design (3)
ARTS 122: Three-dimensional Design (3)
ARTS 298: Topics: Portfolio Preparation and Presentation (1)
ENGL 101: Composition I: Exposition (3)
HIST 101L: Western Civilization (3)

Art Studio approved electives (11 credit hours). Select from:

ARTS 123, ARTS 157, ARTS 168, ARTS 187, ARTS 205, ARTS 206,
ARTS 207, ARTS 213, ARTS 216, ARTS 257, ARTS 268, ARTS 287, ARTS 288

Total credit hours = 36



Certificate in Technical Support

A person with a certificate in Technical Support will be able to provide customers or in-house personnel with support in all areas relating to the installation, maintenance, and updating of a personal computer. This individual will have some expertise with the Microsoft Office products, be able to install new software, build a basic computer from the box, install basic hardware components and do minor hardware repairs. This individual will also have a basic knowledge of how a network is built and operates.

A minimum cumulative grade point average of 2.5 is required in the Technical Courses.

Technical Courses (33-34 credit hours)

CS 101: Introduction to Computer Science (4)
CT 102: Introduction to Microcomputers on the PC (4)
CT 140: Introduction to PowerPoint (1)
CT 202: Applications of Spreadsheets (3)
IT 119: Networking Core Concepts (3)
IT 131: Introduction to Hardware Installation (3)
IT 132: Microcomputer Operating Systems (3)
IT 141: Help Desk I (3)
IT 235: Windows System Administration (3)
ENGL 101: Composition I: Exposition (3)
MATH 106: Problems in Intermediate Algebra (1)

and

MATH 120: Intermediate Algebra (3)

OR

MATH 107: Problems in College Algebra (1)

and

MATH 121: College Algebra (3)

OR

MATH 150: Pre-Calculus Mathematics (3)

Technical Electives (5-6 credit hours)

CT 201: Applications of Relational Databases(4)
Select any CS, IT, or DMA courses not applied to degree above.

Total credit hours = 39

Certificate in Web Technologies

The Certificate in Web Technologies prepares students to design and develop Web sites. The kinds of websites students will learn to design and develop include a range from relatively simple websites that provide information, to complex, large-scale websites that provide information, and interactive websites that allow users to perform transactions. Students will learn the fundamental tools of web design and development: HTML (Hypertext Markup Language), CSS (Cascading Style Sheets), JavaScript, and DHTML (Dynamic HTML). Building on the basic core technologies and techniques of web development, the Web Technologies Web Design Concentration highlights classic design principles. The students will learn how color, fonts, white space, and other design principles can enhance their web site along with advanced techniques using multimedia, graphics, and digital photography. They will learn the techniques of information architecture and the principles of web usability. They will integrate these tools, techniques, and principles in the design and development of complex websites in a course on creating a web portfolio. Upon graduation, they will be prepared to work in web design companies, in small businesses and institutions as the sole web designer and developer, or in large businesses and institutions as part of a team of web designers and developers.

A minimum cumulative grade point average of 2.5 is required in all courses.

Core Courses

ENGL 101: Composition I: Exposition (3)
DMA 165: Digital Media Arts I (Photoshop) (3)
DMA 240: Audio/Video for the Web (3)
DMA 250: Web Animation and Interactive Multimedia Design (Flash) (3)
IT 145: Web Design Fundamentals: HTML and Intro to Style Sheets (3)
IT 147: Web Usability (3)
IT 148: Web Design: Introduction to JavaScript and DHTML (3)
IT 165: Introduction to Web Authoring (3)
IT 242: Web Design: Introduction to Forms (3)
IT 244: Information Architectures for Complex Web Sites (3)
IT 246: Web Design: Creating a Portfolio (3)
MATH 150: Pre-Calculus Mathematics (3)

Total credit hours = 36

Workforce Development

UNM-LA provides a suite of support options for students heading into the local workforce. These options have been designed with the help and input of local and regional employers. For more information about any of these issues, please see your advisor. The following options are available:

- Employability Certificates
- Cooperative Education
- Internships
- Career/Technical Pathways
- Specialized Training Programs

Employability Certificates

UNM-LA offers nine Employability Certificates that provide students the option to gain expertise in a focused, marketable skill set. These skill sets represent areas of employment where the Federal Department of Labor and New Mexico State Labor statistics project growing needs over the next four years.

Note: Qualified students may receive financial support from the (New Mexico) Northern Area Workforce Board for earning the certificates below. To learn more about this program and whether or not you qualify for financial support, visit Workforce Board website at www.dws.state.nm.us or visit the Career/OneStop Center in the Student Services building of UNM-LA.

Windows System Administration Employability Certificate

(12 Credit Hours)

The *Windows System Administration Employability Certificate* provides individuals with prior technician-level computing skills with the additional skills set required to administer a LAN sized server-client network, supporting all users with software/hardware services, and insuring a secure environment.

Core Requirements (12 Hours):

- IT 121: Windows Client Operating Systems (3)
- IT122: Windows Server Operating Systems (3)
- IT235: Windows System Administration (3)
- IT260: Network Security Practices (3)

UNIX/Linux System Administration Employability Certificate

(10 Credit Hours)

The *UNIX/Linux System Administration* award of completion provides individuals with prior technician-level computing skills with the additional skills set required to administer a LAN sized server-client network running UNIX/Linux that supports multiple users.

Core Requirements (10 Hours):

- CS 103: Advanced LINUX/UNIX (1)
- IT 230: UNIX/Linux System Administration I (3)
- IT231: UNIX/Linux System Administration II (3)
- IT260: Network Security Practices (3)

Office Administration Employability Certificate

(16 Credit Hours)

The *Office Administration Employability Certificate* provides individuals with prior introductory computer use skills the additional skills required to facilitate a busy office. In particular, this individual will become experienced in spreadsheets, desktop publishing, customer service skills, and database management.

Core Requirements (10 Hours):

CT 201: Applications of Relational Databases [ACCESS] (4)

CT 202: Applications of Spreadsheets [EXCEL] (3)

CT 203: Introduction to DeskTop Publishing [InDesign] (3)

BSTC 203: Business Communication (3)

Select 3 of the following:

BSTC 114: Customer Service and Relations (1)

BSTC 115: Time Management (1)

BSTC 116: Stress Management for the Workplace (1)

BSTC 117: Organization Skills for the Workplace (1)

BSTC 118: Conflict Resolution for the Workplace (1)

Accounting Employability Certificate

(11 Credit Hours)

The training program will consist of classes totaling 11 credit hours, which may be completed in two semesters. In the first semester, students would complete the first Fundamentals of Accounting class. In the second semester, they would complete the second Fundamentals of Accounting class as well as taking a course in Microcomputer Accounting that focuses on QuickBooks.

Core Requirements (11 Hours):

MGMT 101(3) and MGMT 101L (1): Fundamentals of Accounting I and Lab

MGMT 102 (3) and MGMT 102L (1): Fundamentals of Accounting II and Lab

BSTC 202 (3): Microcomputer Accounting (QuickBooks)

Management Employability Certificate

(14 Credit Hours)

The *Management Employability Certificate* provides individuals with prior business experience the additional skills required to manage a small business, including the finances and personnel. In particular, this individual will be exposed to customer service skills, accounting for small businesses, management skills, conflict resolution, and principals of business ownership.

Core Requirements (14 Hours):

MGMT 101: Fundamentals of Accounting I. (3)

MGMT 101L: Fundamentals of Accounting I Lab. (1)

MGMT 113: Management: An Introduction. (3)

BSTC 118: Conflict Resolution for the Workplace (1)

BSTC 204: Human Relations in Business (3)

BSTC 206: Business Ownership and Marketing. (3)

Graphic Designer Employability Certificate

(12 Credit Hours)

The *Graphic Designer Employability Certificate* provides individuals with prior technician-level computing skills the additional skill set required to create and manipulate bitmap and vector digital images, create video animations for the web, and design layouts for print and web pages.

Core Requirements (12 Hours):

DMA 165: Introduction to Digital Media Arts I (Photoshop). (3)

DMA 166: Digital Media Arts II (Illustrator). (3)

DMA 203: Introduction to Desktop Publishing (In Design). (3)

DMA 250: Web Animation and Interactive Multimedia Design (Flash). (3)

Photoshop Specialist Employability Certificate

(10 Credit Hours)

The *Photoshop Specialist Employability Certificate* provides individuals with prior computer use skills the additional skills required to create and manipulate digital images in Photoshop. In particular, this individual will become experienced in all aspects of Adobe Photoshop.

Core Requirements (10 Hours):

DMA 101: Introduction to Digital Imaging & Scanning. (1)

DMA 165: Introduction to Digital Media Arts I (Photoshop). (3)

DMA 168: Multiple Image Graphics (Photoshop). (3)

DMA 175: Digital Imaging and Photography (Photoshop). (3)

Web Developer Employability Certificate

(12 Credit Hours)

The *Web Developer Employability Certificate* provides individuals with prior technician-level computing skills with the additional skill set required to build dynamic database-driven web pages and sites. Web topics include a basic understanding of Web Servers, Javascript and DHTML, XML, Architecture of web sites, and web forms with an emphasis on PHP or PERL.

Core Requirements (12 Hours):

IT 148: Introduction to JavaScript and DHTML (3)

IT 226: Web Servers. (3)

IT 241: Web Design: Introduction to XML. (3)

or

IT 244: Information Architectures for Complex WebSites. (3)

CS 180: Introduction to PERL. (3)

or

IT 243: Topics: Introduction to PHP (3)

Web Designer Employability Certificate

(12 Credit Hours)

The *Web Designer Employability Certificate* provides individuals with prior technician-level computing skills with the additional skill set required to design, develop, and implement static web pages. Web topics include a basic understanding of web page planning, HTML code, Web editors, graphics, animation, and web design and functionality. Students will also gain some familiarity with either Photoshop or Illustrator.

Core Requirements (12 Hours):

IT 145: Web Design Fundamentals: HTML and Style Sheets (CSS). (3)

IT 148: Introduction to JavaScript and DHTML (3)

IT 242: Web Design: Introduction to Forms. (3)

or

IT 244: Information Architectures for Complex WebSites. (3)

DMA 165: Introduction to Digital Media Arts I (Photoshop). (3)

or

DMA 166: Digital Media Arts II (Illustrator). (3)

Other Programs

Cooperative Education

Students at UNM-LA have the option of enrolling in Cooperative Education courses. Students in the third or fourth semester of their degree plan may earn academic credit in this capstone course while employed by a local area employer. Students will apply academic skills learned in their degree program to a real-world project in a workforce setting. Students work with two mentors, one from their place of employment and one from UNM-LA. As a team, the student completes a project in the workplace that is directly related to their degree and experiences many phases of project development including project design, timeline design, and product implementation. Cooperative Education courses include: E Coop 105, 109, 110, and 209, BSTC 296, CT296, ELCT 296, IT 109, and MST 296. Students should visit an advisor for more information about Coop courses.

Internships

Students at UNM-LA have opportunities to work in Internship positions. In an Internship position, the student is hired by a local area employer to work in an entry-level job in the field in which the student is studying. Students gain real-world experience related to the skills they are learning in the classroom. To learn more about the availability of internships in particular academic areas, students should visit either their advisor or the Curriculum Coordinator in their curriculum area.

Career/Technical Pathways

UNM-LA partners with selected area high schools (ex. Los Alamos High School) to assist high school students in selecting

courses that prepare them for particular career and educational pathways at UNM-LA. Students at the high school will enroll in a course sequence there that allows them to transition directly into a particular technical degree program at UNM-LA. In many instances, courses may be taken at UNM-LA by the high school student for dual enrollment credit. At this time, Career/Technical Pathways exist in computing, business, and engineering.

Specialized Training for Workforce Support

UNM-LA provides customized, specialized training in areas where there is a local workforce need. For questions regarding customized training, visit our Community Education Department in building #5 at UNM-LA.

Note: As with the Employability Certificates described above, qualified students may receive financial support from the (New Mexico) Northern Area Workforce Board for completing the training below. To learn more about this program and whether or not you qualify for financial support, visit the Workforce Board website at www.dws.state.nm.us or visit the Career/OneStop Center in the Student Services building of UNM-LA.

Early Child Care Certificate

Our Early Child Care Certification course is based on the curriculum developed by the State of New Mexico Children, Youth and Families Department (CYFD) and prepares individuals to break into the Child Care Profession at an entry level. It is taught by a certified 45-hour Course Facilitator. It is offered periodically for credit under General Studies, or through Community Education. Visit your academic advisor for more information about this training.

Other Programs

Paralegal Training

UNM-LA ONLINE PARALEGAL CERTIFICATE COURSE

Both Paralegal I and Paralegal II must be successfully completed to receive a certificate of completion from the University of New Mexico Los Alamos.

Paralegal I. Students gain a detailed understanding of the American legal system, legal terminology and ethics; learn how to prepare pleadings, discovery, motions, and briefs; review the rules of evidence and civil procedure.

Paralegal II. Students are trained to interview witnesses, investigate complex fact patterns, research the law, prepare legal documents, and assist in preparing cases for courtroom litigation. WESTLAW access must be purchased prior to starting Paralegal II.

ON-LINE PARALEGAL ADVANCED CERTIFICATE COURSE.

Those who successfully complete at least six advanced topics are awarded a Certificate of Completion from the University of New Mexico-Los Alamos.

Topic 1. Advanced Legal Research. Advanced and specialized approaches to utilize the legal resources available in a law library and elsewhere are examined. Conceptual differences between computer-assisted legal research and hard copy research are taught. Students learn how to formulate WESTLAW search queries and use WESTLAW as well as other online legal research methods.

Topic 2. Victim Advocacy. Students are trained to provide assistance to crime victims. Criminal procedure is overviewed; effects crime can have on its victims are discussed.

Topic 3. Constitutional Law & Civil Liberties. The course focuses on individual civil liberties and 42 U.S.C. section 1983 claims, emphasizing redress for violations of the Fourth, Fifth, and Eighth Amendment rights of the U.S. Constitution.

Topic 4. Criminal Law. Overview of the concept of punishment, the burden of proof and criminal defenses, and common terminology in criminal law.

Topic 5. Bankruptcy Law. This course examines the debtor-creditor relationship and the difference between voluntary and involuntary bankruptcy, both under Chapter 7 (liquidation) and 11 (reorganization).

Topic 6. Family Law. Family law pertains to the formation and dissolution of domestic relations, law of marriage, annulment, separation and dissolution, maintenance, and custody and support of children. Students study the differences between community and separate property, the classification of property, and the impact of such classification.

Topic 7. Mediation & Other Forms Of Alternative Dispute Resolution. The course focuses on both traditional and non-traditional dispute resolution options. Topics include divorce settlement mediation and labor arbitration.

Topic 8. Estate Planning - Probate, Wills & Trusts. The requirements of creating enforceable wills and trusts are covered; resulting and constructive trusts are studied.

Topic 9. Business Law & Practices. Examination of basic agency law is followed by a study of the fundamental structure and legal doctrines relating to general partnerships, limited partnerships, limited liability companies, small closely held corporations, and large publicly-traded corporations.

Topic 10. Water Law. Participants learn of the common law and civil law approaches to the distribution of water in arid regions, the transportation of water from one basin to another, and a hierarchy of competing uses for the water. Special emphasis is given to Colorado's system of water courts and water judges.

Project Management Training

This course will provide a unique opportunity for participants to learn the concepts, techniques, and tools of modern project management, which are essential for project management and success. Various instructors will teach the course from the Otowi Bridge Chapter of the Project Management Institute. Students may take this course for one academic credit hour or for a certificate of completion. If you want to receive a credit for this class you may register through the Registrar after registering at Community Education.

Lower Division Course Descriptions

A schedule of course offerings which includes hours of meeting and instructors will be issued before each semester and session. These classes are not offered every semester or session. Students should check individual semester/session published class schedules. Course descriptions for any new courses to be offered by UNM-Los Alamos that have not been included in this catalog will be provided in class schedules.

An equivalency articulation guide for other state institutions is available at the UNM-Los Alamos Registrar's Office. Please contact UNM-Los Alamos academic advisors for more information.

UNM-Los Alamos reserves the right to cancel any course subject to budgetary requirements, enrollment figures, or availability of instructors.

Academics (ACAD)

*Courses marked with an * may be repeated for credit because subject matter varies.*

ACAD 107: College Survival Skills. (1)

Information and skills necessary for success in college: University resources, learning styles, classroom communication, listening skills, test taking, memory aides, libraries and how to use them.

CR/NC.

ACAD 108: New Beginnings 1 - Life Skills. (1)

A personalized outreach program that encourages the development of life and work skills, and supports the educational goals of students who are experiencing a challenging transition at home or work.

CR/NC.

ACAD 109: New Beginnings 2 -Career Skills. (1)

A personalized outreach program that encourages the development of career and employability skills, re-enforces positive life style changes, and supports the educational goals of students who are experiencing a challenging transition at home or work.

CR/NC.

ACAD 110: New Beginnings 3 - Job Search & Career Skills Plus. (1)

A personalized outreach program that encourages the development of career and employability skills, re-enforces positive life style changes, investigates community resources, and supports individualized educational goals of students who are experiencing a challenging transition at home or work.

CR/NC.

ACAD 111: New Beginnings 4 - Advanced Career Skills. (1)

A personalized outreach program that encourages the development of advanced career and employability skills, re-enforces positive life style changes, and supports individualized educational goals of students who are experiencing a

challenging transition at home or work.

CR/NC

ACAD 192*: Topics. (1-3)

Titles will vary.

CR/NC.

ACAD 193*: Topics. (1-3)

Titles will vary.

American Studies (AMST)

*Courses marked with an * may be repeated for credit because subject matter varies.*

AMST 134: Creating a Sustainable Future: Introduction to Environmental, Social, and Economic Health. (3)

An introduction to creating a sustainable future that supports environmental health and restoration, social equity, and economic vitality. Examines challenges and examples of integrated, creative strategies on local, regional, national, and global levels.

(Also offered as ANTH, SUST 134.)

AMST 180: Introduction to American Studies (3)

Introduces 19th and 20th century American culture. Demonstrates interdisciplinary approaches to American culture studies. Content varies by semester and topics include popular culture, comparative studies of race and ethnicity, nationalism and citizenship, critical regionalism.

AMST 182: Introduction to Environment, Science, and Technology. (3)

An introduction to the socially and politically constructed values directing Americans' attitudes toward nature, science, and technology and to the impacts of those attitudes on built and natural environments regionally, nationally and globally. *Meets New Mexico Lower Division General Education Common Core Curriculum Area IV: Social/Behavioral Sciences.*

AMST 184*: Introduction to American Popular Culture. (3)

Survey of basic concepts of popular culture and methods for its study. Source materials are drawn from diverse areas – television, film, fashion, comics, music and sports.

AMST 185: Introduction to Race, Class & Ethnicity. (3)

An interdisciplinary introduction to the issues of race, class and ethnicity in American life and society. *Meets New Mexico Lower Division General Education Common Core Curriculum Area IV: Social/Behavioral Sciences.*

AMST 186: Introduction to Southwest Studies. (3)

Provides both an introduction to the complex history and culture of the Southwestern United States and a demonstration of the possibilities of the interdisciplinary study of regional American culture. It is multicultural in its content as it is multidisciplinary in its methodology. *Meets New Mexico Lower Division General Education Common Core Curriculum Area V: Hum & Fine Arts.*

AMST 200*: Topics in American Studies. (3 to a maximum of 6)

The content of this course varies by semester. Topics include: America in the 50s; America in the 60s and 70s; the American family power and culture; schooling in America.

AMST 251: The Chicano Experience in the United States. (3)

Investigation of the historical and social conditions that have shaped the development of Chicano life.

AMST 252: The Native American Experience. (3)

Introductory survey of Native American history, culture, and contemporary issues. Students read literature by and about Native Americans covering a variety of topics including tribal sovereignty, federal policy, activism, economic development, education, and community life.

(Also offered as NATV 252.)

AMST 285: American Life and Thought. (3)

Examination of the development of American cultural values and attitudes from the 17th to the early 20th centuries. Demonstrates the use of interdisciplinary modes of inquiry.

Anthropology (ANTH)

ANTH 101: Introduction to Anthropology. (3)

Surveys the breadth of anthropology, introducing students to archaeology, biological anthropology, ethnology, human evolutionary ecology and linguistics. *Meets New Mexico Lower Division General Education Common Core Curriculum Area IV: Social/Behavioral Sciences.*

ANTH 110: Language, Culture, and the Human Animal. (3)

Fundamentals of anthropological linguistics. The biological, structural, psychological, and social nature of language; implications for cross-cultural theory, research, and applications. *Meets New Mexico Lower Division General Education Common Core Curriculum Area IV: Social/Behavioral Sciences.*

(Also offered as LING 101)

ANTH 121L: Archaeological Method and Theory. (4)

Introduction to archaeological method and theory. Lectures cover basic concepts and strategy. Labs provide hands-on experience with methods of analyzing archeological remains. *Meets NMLD GECC Area III: Science.*

ANTH 130: Cultures of the World. (3)

Basic concepts and methods of cultural anthropology. Selected cultures, ranging from preliterate societies to aspects of urban civilization. *Meets New Mexico Lower Division General Education Common Core Curriculum Area IV: Social/Behavioral Sciences.*

ANTH 134. Creating a Sustainable Future: Introduction to Environmental, Social, and Economic Health. (3)

An introduction to creating a sustainable future that supports environmental health and restoration, social equity, and economic vitality. Examines challenges and examples of integrated, creative strategies on local, regional, national, and global levels.

(Also offered as AMST, SUST 134.)

ANTH 150: Evolution and Human Emergence. (3)

Fundamentals of biological anthropology and principles of organic evolution, in relation to the biology, ecology and behavior of primates and fossil humans. Biological anthropology concentrators are required, and others are encouraged, to enroll concurrently in 151L. *Meets New Mexico Lower-Division General Education Common Core Curriculum Area IV: Social/Behavioral Sciences.*

ANTH 220: World Archeology. (3)

Introduces archeological theory, method, and technique by presenting the developmental history of human cultures.

ANTH 230: Topics in Current Anthropology. (3)

Experimental courses on topics of current interest.

ANTH 238. Cultures of the Southwest (3)

Basic concepts of cultural anthropology, illustrated with overviews of social and cultural patterns of Southwest Indians and Hispanics. Interethnic relations of these with other American populations. *Meets New Mexico Lower Division General Education Common Core Curriculum Area IV: Social/Behavioral Sciences. {Offered periodically}*

ANTH 251. Forensic Anthropology. (3)

This course is designed to introduce students to the forensic investigation of death. Emphasis will be on current methods and techniques and include the role of the anthropologist as an integral member of the investigation process.

Art History (ARTH)

The following courses, ARTH 101, 251, 201, 202 and 250, are strongly recommended to all students in the study of art history and related studio areas.

ARTH 101: Introduction to Art. (3)

A beginning course in the fundamental concepts of the visual arts; the language of form and the media of artistic expression. Readings and slide lectures supplemented by museum exhibition attendance. *Meets New Mexico Lower Division General Education Common Core Curriculum Area V: Humanities & Fine Arts*

ARTH 201: History of Art I. (3)

Prehistoric, Near Eastern, Egyptian, Greek, Roman, Early Christian, Byzantine, Romanesque, and Gothic Art. *Meets New Mexico Lower Division General Education Common Core Curriculum Area V: Humanities & Fine Arts.*

ARTH 202: History of Art II. (3)

Western Art from the Early Renaissance to Impressionism *Meets New Mexico Lower Division General Education Common Core Curriculum Area V: Humanities & Fine Arts.*

ARTH 204: Greek Civilization. (3)

An interdisciplinary introduction to the ancient world as the foundation of modern civilization. Lectures on classical art, history, literature, and philosophy.

(Also offered as CLST 204, HIST 204, PHIL 204)

ARTH 205: Roman Civilization. (3)

An interdisciplinary introduction to ancient Rome. Lectures on Roman literature, history, art and philosophy.
(Also offered as CLST 205, HIST 205, PHIL 205)

ARTH 250: Modern Art. (3)

Major stylistic developments of European and American painting and sculpture from Impressionism to approximately World War II.

ARTH 251: Artistic Traditions of the Southwest. (3)

Interrelationships of Native American, Hispanic, and Anglo cultures from prehistoric times to the present, emphasizing the major forms of expression — pottery, textiles, jewelry, architecture, painting and photography. Slide lectures supplemented by museum exhibits.

Art Studio (ARTS)

[May be taken twice for credit.]*

Major Courses

All 100-level studio courses carry no pre-requisites and are designed for both students who have a general interest in art as well as students who plan on majoring or minoring in art.

ARTS 106: Drawing I. (3)

Basic drawing concepts, including the expressive use of contour, value, perspective and composition while exploring both dry and wet media. Assigned problems may include still life, landscape, portraiture or the figure

ARTS 121: Two-Dimensional Design. (3)

Emphasis on elements of line, form, value, color theory, painting principles and visual vocabulary. Particular attention will be placed on a disciplined approach toward design and development of perceptual skills.

ARTS 122: Three-Dimensional Design. (3)

Emphasis on materials, processes and vocabulary. Particular attention will be placed on traditional and contemporary approaches to sculpture through the consideration of spatial concepts and making three-dimensional objects.

ARTS 123: Shop Foundations. (2)

Familiarizes the art student with the safe practice and maintenance of wood and metal shop tools and machinery.
Offered on a CR/NC basis only.

ARTS 130: Introduction to Electronic Art. (3)

Introduction to the computer as a medium and fine art tool. Course will explore history, theory and contemporary art issues associated with computer-based art practice, as well as introducing students to basic tools and technologies.

ARTS 157*: Small Scale Metal Construction I. (3 to a maximum of 6)

Introduction to basic fabrication methods as they relate to object-making and small-scale sculpture.

ARTS 168*: Introduction to Ceramics. (3 to a maximum of 6)

Comprehensive introduction to the terms, concepts, historical, and technical information that support creative development. Includes hand building and throwing, basic clay bodies, slip and glaze, oxidation, reduction, and atmospheric firing.

ARTS187: Introduction to Photography. (3)

Hands-on course introducing students to the basic techniques of digital, black and white, and color photography. Students are strongly encouraged to enroll in ARTS 188 the following semester.

ARTS 188: Visualizing Ideas Using Photography. (3)

This course will help students to develop their ideas conceptually. Students will work in digital, color, and black & white processes, and experiment with cameras, scanners, and other technology to further their ideas.

Prerequisite: ARTS 187.

ARTS 205: Drawing II. (3)

Further concentration on basic drawing concepts with a greater emphasis on descriptive and perceptual drawing skills using both dry and wet media. Assigned problems explore aspects of still life, landscape, portraiture and/or the figure.

Prerequisites: ARTS 106 and ARTS 121.

ARTS 207: Painting I. (3)

Painting materials and techniques, integrating basic drawing concepts with color theory and composition. Emphasis on descriptive and perceptual skills through assigned problems which explore aspects of still life, landscape, portraiture and/or the figure.

Prerequisites: ARTS 106 and ARTS 121

ARTS 213: Sculpture I. (3)

A further exploration into the concepts presented in Three-Dimensional Design. Will investigate, through specific assignments, issues that are central to producing sculpture.

Prerequisite: ARTS 123

ARTS 216: Raku - A Ceramic Low-Firing Reduction Process. (3)

Students will be introduced to the principles of Raku Firing including simple glaze formulation, firing techniques, and designing-building the kiln.

Prerequisite: ARTS 168

ARTS 257*: Small Scale Metal Construction II. (3 to a maximum of 6)

A continuation of ARTS 157. Fabrication skills are further developed and refined. Emphasis is on developing a deeper understanding of form/content as it relates to intimate scale.

Prerequisites: ARTS 157.

ARTS 268*: Ceramics: Materials and Aesthetics. (3 to a maximum of 6)

Continuation of ARTS168 with emphasis placed on the mastery of foring, surfacing, and firing processes, expanded critical awareness, and the development of a personal aesthetic. Open-ended and self-selected projects. Individual and group critiques.

Prerequisites: ARTS 168

ARTS 287. Black & White Photography. (3)

Concentrates on black and white photographic techniques: film processing and fine black and white printing.

Prerequisite: ARTS 187 and 188. {Offered upon demand}

ARTS 288: Color Techniques in Photography (3)

The techniques and aesthetics of color photographic imaging.

Prerequisites: ARTS 187; ARTS 188. .

ARTS 289: Digital Imaging Techniques (3)

Techniques and aesthetics of digital imaging using a variety of software programs and hardware.

Prerequisite: ARTS 187; ARTS 188

ARTS 298*: Topics. (1-3)

Titles will vary.

CR/NC

Arts and Sciences (ARSC)

ARSC 198: Introduction to Undergraduate Study. (3)

Develops academic skills through study of the content areas including scholarship, research, comprehension, analysis, synthesis, evaluation, application, critical thinking and communication of ideas.

Corequisite: Some sections may require coregistration in another specified course.

Arts and Sciences Cooperative Education Program (ASCP)

ASCP 105: Cooperative Work Phase. (0)

A mechanism for registered work phase students from the College of Arts and Sciences as full time students while working.

CR/NC.

ASTRONOMY (ASTR)

Listed in the UNM-Albuquerque catalog as the Department of Physics and Astronomy. See also "Physics."

ASTR 101: Introduction to Astronomy. (3)

Conceptual description of our fascinating universe: early astronomy, Newtonian, synthesis, Earth, Moon, planets, asteroids, comets, the Sun, our solar system, stars, black holes, galaxies, dark matter, dark energy and cosmological mysteries. *Meets New Mexico Lower Division General Education Common Core Curriculum Area III: Science (NMCCN 1114).*

ASTR 101L: Astronomy Laboratory. (1)

Intended as an adjunct to ASTR 101, this course deals with elementary techniques in astronomical observations. Meets *New Mexico Lower Division General Education Common Core Area III: Science (NMCCN 1114).*

Pre-or Corequisite: ASTR 101. Two hours lab.

Automotive Technology (AUTT)

AUTT 193T: Topics. (1-6)

Titles will vary.

AUTT 293T: Topics. (1-6)

Titles will vary

Biology (BIOL)

BIOL 105: Current Issues in Human Biology (3)

Intended for the student with minimum previous exposure to science. The concepts and methodology of biology are developed as a basis for a discussion of current issues in areas such as reproduction, cloning, heredity, human genome, diet, exercise physiology, emerging diseases, human ecology.

BIOL 110: Biology for Non-Majors. (3)

Biological principles important for the non-major in today's world. Ecological, evolutionary, and molecular topics.

(Credit not allowed for both BIOL 110 and BIOL 123/124L)
Meets New Mexico Lower Division General Education Common Core Curriculum Area III: Science (NMCCN 1114).

BIOL 112L: Biology Laboratory for Non-Majors. (1)

An optional laboratory which may be taken concurrently with or subsequent to BIOL 110. One 3-hour lab per week including plant and animal diversity, techniques, and investigation of current issues. *Meets New Mexico Lower Division General Education Common Core Curriculum Area III: Science (NMCCN 1114).*

Pre- or corequisite: BIOL 110.

BIOL 123: Biology for Health Related Sciences and Non-Majors. (3)

Principles of cell biology, genetics and organismic biology. (Credit not allowed for both BIOL 123 and BIOL 110. Not accepted toward a Biology major.)

BIOL 124L: Biology for Health Related Sciences and Non-Majors Lab. (1)

One credit optional laboratory to accompany BIOL 123.
Pre- or corequisite: BIOL 123.

BIOL 201: Molecular and Cell Biology. (4)

The scientific method, the role of water in cell biology, carbon and molecular diversity, macromolecules, introduction to metabolism, tour of cell structures and functions, membrane structure and function, cellular respiration, photosynthesis, cell communication, and the cell cycle.

Pre- or Corequisite: CHEM 121 and 123L or 131L. (Credit not allowed for both BIOL 201 and 219)

Note: At UNM-LA, this class includes a two hour lab instead of the discussion required at UNM-Albuquerque.

BIOL 202: Genetics. (4)

Mitosis, meiosis, Mendelian genetics, chromosomes and inheritance, molecular basis of inheritance, genes to proteins, genetic models (viruses and bacteria), eukaryotic genomes, genetic basis of development, and overview of genomes.

Prerequisites: BIOL 201 and (CHEM 121 and 123L or CHEM 131L.)

Pre- or Corequisite: CHEM 1122 and 124L or CHEM 132L. (Credit not allowed for both BIOL 202 and 221)

BIOL 203L: Ecology and Evolution. (4)

Darwinian principles, origin of the earth, the fossil record and diversification of ancient life, evolution of populations, origin of species, phylogenetics, introduction to ecology and the biosphere, behavioral ecology, population ecology, community ecology, ecosystem ecology and conservation biology. Lab material includes a survey of the diversity of life. Three hours lab.

Prerequisites: BIOL 202, and (CHEM 122 and 124L, or CHEM 132L).

Pre- or Corequisite: MATH 162 or MATH 180.

BIOL 204L: Plant and Animal Form and Function. (4)

Introduction to plant systems including: structure, growth, transport, nutrition, reproduction, development, and control systems. Introduction to animal systems including: nutrition, circulation, reproduction, development; and immune, control and nervous systems. Three hours lab.

Prerequisites: BIOL 202 and (CHEM 122 and CHEM 124L or CHEM 132L)

Pre- or corequisites: BIOL 203L and (MATH 180 or MATH 162).

BIOL 227L: Human Anatomy and Physiology Lab I. (1)

Laboratory work using cats. Anatomy stressed with appropriate physiological work. Topics integrated with BIOL 237. Three hrs. lab.

Pre- or co-requisite: BIOL 237.

BIOL 228L: Human Anatomy and Physiology Lab II. (1)

Continuation of BIOL 227L. Topics integrated with BIOL 238. Three hrs. lab.

Pre- or corequisite: BIOL 238.

BIOL 237: Human Anatomy and Physiology I for the Health Sciences. (3)

An integrated study of human structure and function to include histology, skeletal, muscular, and nervous systems.

Prerequisites: BIOL (123 and 124L) or BIOL 201 and (CHEM 111L or CHEM 121 and CHEM 123L.).

BIOL 238: Human Anatomy and Physiology II for the Health Sciences. (3)

A continuation of BIOL 237 to include cardiovascular, respiratory, digestive, excretory, reproductive, and endocrine systems.

Prerequisite: BIOL 237.

BIOL 239L: Microbiology for Health Sciences and Non-Majors. (4)

Introduction to microbiology with emphasis on principles of infection and immunity. Not accepted toward a Biology major or minor. Credit not allowed for both BIOL 239L and BIOL 351L– BIOL 352L.

Prerequisites: BIOL (123 and 124L) and (CHEM 111L or CHEM 121 and CHEM 123L) or BIOL 201 and (CHEM 111L or CHEM 121 and CHEM 123L).



Business Technology (BSTC)

BSTC 114: Customer Service and Relations. (1)

Examines techniques for successful customer service, how to handle difficult and irate customers, customer complaints, and to build relationships with internal and external clients.

BSTC 115: Time Management. (1)

Examines methods of managing personal and professional time during the workday.

BSTC 116: Stress Management for the Workplace. (1)

Examines techniques and tips for managing stress in the work environment.

BSTC 117: Organization Skills for the Workplace. (1)

Examines techniques for organizing workplace space and filing systems.

BSTC 118: Conflict Resolution for the Workplace. (1)

Examines techniques for identifying and resolving conflict in the work environment.

BSTC 192*: Topics. (1-3)

Titles will vary
CR/NC.

BSTC 193*: Topics. (1-3)

Titles will vary.

BSTC 202: Microcomputer Accounting (3)

Course uses accounting software applications to record, classify and report business activities.

Prerequisites: MGMT 101.

BSTC 203: Business Communication. (3)

Course emphasizes theory and application of customer contact skills, questioning and listening techniques, business etiquette, multicultural awareness, letter and memorandum writing, the job application process and interviewing, and conflict resolution.

BSTC 204: Human Relations in Business. (3)

Human relations in the work environment will be studied, including the psychological implications of business practices as they apply to individual employees and supervisors.

BSTC 212: Introduction to Income Tax. (3)

IRS code and regulations as they pertain to the individual. Includes capital gains and losses, accounting methods, income, deductions, social security, installment sales and alternative tax methods.

BSTC 213: Auditing. (3)

Concepts and standards of independent auditing, integrating them with contemporary audit methods and with the judgment and decision processes common to audit procedure.

Prerequisite: MGMT 102.

BSTC 214: Governmental/Not for Profit Accounting. (3)

Theory and practice of accounting in not for profit organizations, municipalities, federal government, public schools, universities, and health organizations. Fund accounting, zero-based budgeting, financial audits and operations audit.

Prerequisite: MGMT102 and MGMT 102L

BSTC 218: Business Law. (3)

Introduction to the basic principles of business law and their applications to typical business situations. Topics include an introduction to the legal environment, contracts, regulatory

agencies, negotiable instruments, and the sale of goods and real property.

Prerequisite: MGMT 113

BSTC 220: Management Accounting. (3)

Course includes the role of accounting in the management information system, collection and processing of data for management decisions.

Prerequisites: MGMT 101 and MGMT 102, or MGMT 202 and MGMT 113.

BSTC 292*: Topics. (1-3)

Titles will vary.
CR/NC.

BSTC 293*: Topics. (1-4)

Titles will vary.

BSTC 296: Business Cooperative Work Phase 1, 2, or 3. (1-3)

A work-study program with local businesses to give students a practical experience in a business environment. Prerequisites: Third or fourth semester standing and permission of the Business Curriculum Coordinator.

CR/NC.



Chemistry (CHEM)

*Courses marked with an * may be repeated for credit because the subject matter varies.*

CHEM 111L: Elements of General Chemistry. (4)

One-semester course in general Chemistry, especially for non-science majors in the health sciences except premedicine and medical technology. (Credit not allowed for both CHEM 111L and CHEM 121 and CHEM 123L.) *Meets New Mexico Lower Division General Education Common Core Curriculum Area III: Science (NMCCN 1114). 3 Hrs. demo lab/recitation.*

Prerequisite: ACT ≥ 22 or SAT ≥ 510 or MATH 120 or MATH 121 or MATH 150 or MATH 162 or MATH 163 or MATH 180 or MATH 181 or MATH 264.

CHEM 121 [121L]: General Chemistry I. (3)

Introduction to the chemical and physical behavior of matter. *Meets New Mexico Lower Division General Education Common Core Curriculum Area III: Science (NMCCN 1214).*

Prerequisite: MATH 121 or MATH 123 or MATH 150 or MATH 162 or MATH 163 or MATH 180 or MATH 181 or MATH 264

Corequisite: CHEM 123L.

CHEM 122 [122L]: General Chemistry II. (3)

Continuation of CHEM 121. *Meets New Mexico Lower Division General Education Common Core Curriculum Area III: Science (NMCCN 1224).*

Prerequisite: CHEM 121 and CHEM 123L or CHEM 131L.

CHEM 123L: General Chemistry I Laboratory (1)

Introduction to basic chemical laboratory principles and techniques.

Prerequisite: MATH 121 or MATH 123 or MATH 150 or Math 162 or MATH 163 or MATH 180 or MATH 181 or MATH 264

Corequisite: CHEM 121.

CHEM 124L: General Chemistry II Laboratory (1)

Experiments illustrating the fundamental principles and techniques of chemistry. 3 Hr. Lab

Prerequisite: CHEM 121 and CHEM 123L or CHEM 131L

Corequisite: CHEM 122

CHEM 212: Integrated Organic Chemistry and Biochemistry. (4)

Survey interrelating the major principles of organic chemistry and biochemistry with special emphasis toward interests of students in the health sciences.

Prerequisite: CHEM 111L or CHEM 121 and CHEM 123L (Credit not allowed for both CHEM 212 and CHEM 301.)

CHEM 253L: Quantitative Analysis. (4)

Theory and techniques of chemical analysis. 3 Hrs. lecture and 4 Hrs. lab.

Prerequisite: CHEM 122 and CHEM 124L. (Students should make every effort to complete CHEM 253L within two semesters of completion of CHEM 122 and CHEM 124L.)

Classics (CLST)

CLST 107: Greek Mythology. (3)

Introduction to mythology: primary readings in stories about the gods and heroes, usually including Homer, Hesiod, Homeric Hymns and Tragedies. All text will be in English.

Also offered as ENGL 107.

Meets New Mexico Lower Division General Education Common Core Curriculum Area V: Humanities and Fine Arts.

CLST 204: Greek Civilization. (3)

An interdisciplinary introduction to the ancient world as the foundation of modern civilization. Lectures on classical art, history, literature, and philosophy.

Also offered as ARTH 204, HIST 204, PHIL 204

Meets New Mexico Lower Division General Education Common Core Curriculum Area V: Humanities and Fine Arts.

CLST 205: Roman Civilization. (3)

An interdisciplinary introduction to ancient Rome. Lectures on Roman literature, history, art, and philosophy.

Also offered as ARTH 205, HIST 205, PHIL 205

Meets New Mexico Lower Division General Education Common Core Curriculum Area V: Humanities and Fine Arts.

Communications and Journalism (CJ)

*Courses marked with an * may be repeated for credit because subject matter varies.*

CJ 101L: Introduction to Communication. (3)

Principles and concepts of various types of human communication, including interpersonal, small group, organizational, public and mass communication. 2 hrs. lecture, 1 hr. Lab.

C J 110: Introduction to Mass Communication. (3)

The development of the mass media with emphasis on television in the areas of programming, policy, regulations, economics and technology. Examination of the social, cultural, and political impact of the mass media on contemporary society. 2 hrs. lecture. 1 hr. Lab.

Also offered as MA 110

CJ 115: Communication Across Cultures. (3)

An introduction to communication among people from different cultural backgrounds, emphasizing intercultural relations. The class seeks to identify, honor and enhance the strengths of different cultural perspectives.

Also offered as AFST 115.

CJ 130: Public Speaking. (3)

A performance course that deals with analysis, preparation, and presentation of speeches.

Meets New Mexico Lower Division General Education Common Core Curriculum Area I: Communications.

CJ 171L: Writing for the Mass Media [Writing for the Mass Media]. (3)

Practical introduction to journalism, emphasizing journalistic conventions and the gathering and writing of news for the print and broadcast media. Language and typing skills required.

Prerequisites: 15 hours, 2.00 gpa, ENGL 102.

CJ 220: Communication for Teachers. (3)

Concepts and practices of interpersonal, small group and public communication pertinent to classroom teachers at the elementary, middle and secondary levels of education.

CJ 221: Interpersonal Communication. (3)

Analysis of a variety of interpersonal communication concepts with special emphasis on the application of communications skills in different situations.

Meets New Mexico Lower Division General Education Common Core Curriculum Area I: Communications.

CJ 225: Small Group Communication. (3)

Basic characteristics and patterns of communication in small groups. Includes attention to role theory, conflict resolution, and creative decision-making methods.

CJ292. Beginning Internship in Communication and Journalism. (1 to a maximum of 6)

Internships and service projects for students at the lower level. Restriction: permission of instructor.

CJ 293*: Topics. (1-3 to a maximum of 6 credit hours)

Topics will vary.

Community and Regional Planning (CRP)

CRP 203: Society and the Environment. (3)

Introduction to environmental and natural resource issues of both global and local scale. Investigates basic causes and consequences of environmental problems, including interrelated physical and social science dimensions.

Also offered as ECON 203

Comparative Literature (COMP)

*Courses marked with an * may be repeated for credit because subject matter varies.*

COMP 224 – Literary Questions (3)

Examination of basic questions in comparative literature studies: themes, movements, modes, interaction of literature with other disciplines, etc. Work will be comparative and reading list will represent cross-section of Western European, American, Russian, and Classical literatures. Titles will vary as content varies.

Meets New Mexico Lower Division General Education Common Core Curriculum Area V: Hum & Fine Art.

Computer Science (CS)

CS 101: Introduction to Computing Science. (4)

An Introductory course covering the computer terminology, applications, and characteristics that a student would encounter in a CS degree. Students will learn introductory UNIX and how to run existing programs.

CS 102: Introduction to LINUX/UNIX. (1)

For the computer novice. Students will be shown the UNIX commands needed in a computer-programming course. UNIX topics: electronic mail, file manipulation and creation, line/screen editors, and program compilation.

CR/NC

CS 103: Advanced LINUX/UNIX. (1)

Focuses on shell scripts and shell programming, processes and job control; user tools; UNIX networking concepts; simple system administration; introduction to Perl scripting

Prerequisites: CS 102 or CS 101, (a programming course or previous programming experience is recommended).

CR/NC

CS 110: Introduction to C++ for Experienced Programmers. (1)

Intended to teach the beginning syntax of C++ to students who already have programming experience with another structured programming language such as FORTRAN, PASCAL, or C. Covers simple and enumerated types, I/O, looping, branching, functions and parameter passing, single and multi-dimensional arrays, structures. CLASSES and OOP will not be covered.

Prerequisite: CS 152L or CS 160 or CS 170 or CS 180.

CR/NC

CS 130: Introduction to Problem Solving Strategies. (3)

Presents a wide variety of problem solving strategies to build skill in problem solving. Emphasizes creative/lateral thinking techniques and good communication skills. Uses both technical and non-technical problems to practice skill development.

Prerequisite: CS 101

CS148: Introduction to Programming in C++ (for Game Developers). (3)

Beginning syntax of C++ and introductory programming techniques. Covers simple and enumerated types, I/O, looping, branching, functions, single/multi-dimensional arrays, and structures. General programming concepts: software development life cycle, top-down design, documentation, testing, debugging.

Prerequisite: CS101 or CS102

CS 150L: Computing for Business Students. (3)

Students will use personal computers in campus laboratories to learn use of a word processor, a spreadsheet, and simple database management program. The course will also cover access to the World Wide Web and other topics of current importance to business students.

(Main Campus course cannot apply to major or minor in Computer Science.)

Prerequisite: MATH 120.

CS 151L: Computer Programming Fundamentals for Non-Majors [MAT LAB] (3)

An introduction to the art of computing. Not intended for Computer Science majors or minors. The objective of the course is an understanding of the relationship between computing and problem solving. (Main campus course; 3 hrs lecture; 1 hr recitation)

Prerequisites: MATH 150 and (CS 101 or CS 102).

CS 152L: Computer Programming Fundamentals for Computer Science Majors [in Java]. (3)

An introduction to the art of computing. Intended for Computer Science majors or minors. The objective of the course is an understanding of the relationship between computing and problem solving. Programs will be written in Java. (Main campus course; 3 hrs lecture; 1 hr recitation.)

Prerequisites: MATH 150 and (CS 101 or CS 102.)

CS 160: Introduction to Java. (3)

This course introduces writing object-oriented programs with the JAVA language. It introduces JAVA applications and the writing of JAVA applets.

Prerequisite: CT 102.

CS 170: Introduction to Visual Basic. (3)

Introduces how to program in a Windows environment using Visual Basic. Fundamental programming techniques will be

discussed. Students will learn procedural programming, how to develop a graphical user interface in Windows, and how to work with events and objects.

Prerequisite: CT 102.

CS 180: Introduction to PERL. (3)

This introductory course introduces PERL, practical extraction report language. It will focus on the following topics: Scalar data, Control structures, Basic I/O, Directory Access, File and Directory Manipulation, Process Management, System Database Access, and CGI Scripting.

CS 192*: Topics. (1-3)

Titles will vary.
CR/NC.

CS 193*: Topics. (1-3)

Titles will vary.

CS 220: Systems Analysis and Design. (3)

An overview of the system development lifecycle. Emphasis on current system documentation through the use of classical, structured, and object-oriented tools/techniques for describing program specifications.

Prerequisite: CS 151L or CS 152L or CS 160 or a full semester of programming.

CS 241L: Data Organization. (3)

Data representation, storage and manipulation. Covers the memory organization of data storage and its relation to computation and efficiency. Topics include: linked vs. contiguous implementations, memory management, the use of indices and pointers, and an introduction to issues raised by the memory hierarchy. Programming assignments in C provide practice with programming styles that yield efficient code and computational experiments investigate the effect of storage design choices on the running time of programs. (Main campus course.)

Prerequisite: CS 151L or CS 152L.

CS 251L: Intermediate Programming. (3)

An introduction to the methods underlying modern program development. Specific topics will include object-oriented design and the development of graphical user interfaces. Programming assignments will emphasize the use of objects implemented in standard libraries. (Main campus course. 3 hour lecture. 1 hour recitation.)

Prerequisite: CS 151L or CS 152L.

CS 257L: Nonimperative Programming. (3)

Introduction to non-typed functional programming using Scheme. Specific topics include recursion, lists, graphics, abstract data types, symbolic arithmetic, procedural abstraction, higher-order functions, and meta-circular evaluation. (Main Campus course; 3 hrs lecture, 1 hr recitation.)

Prerequisite: CS 151L or CS 152L

CS 258: Introduction to Object Oriented Programming. (2)

Focuses on applying the advanced features of JAVA including exceptions, threads, inheritance, and polymorphism. This projects course stresses the design (using UML), development, and testing of larger programs using the Object paradigm.

Prerequisite: CS 251L

CS 260: Introduction to Applied Software Engineering. (2)

An introduction to the methodologies and tools used in a disciplined life-cycle approach to the development of large software systems. Design goals and principles will be emphasized and current methodologies such as data flow, structured design, and object-oriented design will be explored. Team programming.

Prerequisites: CS 220 and CS 251L.

CS 261: Mathematical Foundations of Computer Science. (3)

Introduction to the formal mathematical concepts of computer science for the beginning student. Topics include elementary logic, induction, algorithmic processes, graph theory, and models of computation. (Main Campus course.)

Prerequisites: (CS 151L or CS 152L) and MATH 162.

CS 290*: Topics (1-3)

Titles will vary

CS 292*: Topics. (1-3)

Titles will vary.

CR/NC.

CS 293: Social and Ethical Issues in Computing. (1-3)

Overview of philosophical ethics, privacy and databases, intellectual property, computer security, computer crime, safety and reliability, professional responsibility and codes, electronic communities and the Internet, and social impact of computers. Students make oral presentations and produce written reports.



Computer Technology (CT)

*Courses marked with an * may be repeated for credit because the subject matter varies.*

CT 101: Introduction to Computing on Microcomputers. (1)

Fundamentals of using microcomputers; Logging on, saving work to disks, operating system basics, using software, using the UNM-LA network.

CT 102: Introduction to Microcomputers on the PC. (4)

An overview of the use of computers and data processing in today's society. Discusses PC history, terminology, and applications. Introduces the rudiments of a word processor (Word), a PC database (Access), and a PC spreadsheet (Excel).

CT 103: Introduction to Spreadsheets. (1)

Basic terminology and practical applications of spreadsheets: moving around the spreadsheet, commands, formatting, function operations, printing, and graphing.

CR/NC

CT 104: Introduction to Relational Databases. (1)

Introduces fundamentals of relational databases and database software; basics of database creation, entering and editing data, creating and using forms, creating and printing reports, customizing fields and tables, and integrating with other data sources and the Internet.

CR/NC

CT 106: Introduction to WORD (3)

Introduces advanced word processing techniques using Microsoft Word. The class content involves document design and formatting as well as file management. A great emphasis will be put on efficiency in applications.

CT 111: Introduction to Computer Aided Design and Drafting. (3)

Entry-level course intended for the technician or draftsman interested in the use of computer aided design in an engineering environment. (3 hour lecture. 1 hour lab)

Prerequisite: C T 101 or C T 102, and a basic knowledge of drafting techniques.

CT 119: Intermediate Computer-Aided Design and Drafting. (3)

Topics will include two and three-dimensional drafting, three-dimensional wireframe and hidden line modeling, and basic system automation utilizing script files, menu customization, and the AutoLISP programming language.

Prerequisite: C T 111. (3 hour lecture. 1 hour lab.)

CT 121: Introduction to Appleworks. (1)

Provides an understanding of an integrated system for word processing, spreadsheets, databases and communication programs.

Prerequisite: CT 125. (Previously CT 105LT)

CT 122: Introduction to Microcomputers on the Macintosh. (3) (Previously CT 120LT)

Course introduces the student to Macintosh computers, computer terminology, hardware and software. Topics covered include using the Macintosh operating system, Microsoft Word, Microsoft Excel, and basic Internet applications.

CT 125: Introduction to the Macintosh. (1) (Previously CT 105LT)

Overview and demonstration of Macintosh and its programs. Topics include the Macintosh operating system (file and folder management, using disks, system preferences settings), and the basics of typical applications such as word processing, spreadsheets, desktop publishing, databases, and web browsing.

CT 126: Microsoft Word on the Macintosh. (1) (Previously CT 106LT)

The use of Microsoft Word for the Macintosh computer.
Prerequisite: CT 125. (Previously CT 105LT)

CT 127: Microsoft Excel on the Macintosh. (1) (Previously CT 107LT)

The use of Microsoft Excel on the Macintosh computer.
Prerequisite: CT 125 (Previously CT 105LT)

CT 128: Introduction to Internet on Macintosh. (1) (Previously CT 142LT)

Introduces the student to the fundamentals of using the Internet from a Macintosh computer in the UNM-Los Alamos local area network. This course will cover the local area network, the background of the Internet, and the many resources available to the Internet user, such as electronic mail, FTP file transfer, Usenet news groups, and World Wide Web sites. A fundamental knowledge of using the Macintosh is assumed.

CT 129: Desktop Publishing on the Macintosh. (1) (Previously CT 109LT)

Introduces page layout software for desktop publishing. Topics include placing text and graphics on the page, type manipulation and formatting, graphics placement and text flow, basic drawing tools, and plug-ins.

Prerequisite: CT 125 (Previously CT 105LT)

CT 131: Introduction to Windows. (1)

Provides a practical approach to using Microsoft's most popular operating systems. Emphasis will be on the basic structure of Windows, file types and hierarchy, and how to find things on the system. Troubleshooting of the operating system will also be covered.

CT 140: Introduction to PowerPoint. (1)

Students learn the rudiments of PowerPoint to create slide shows, graphs, and organizational charts; work with text, drawings, clip art, templates, and special effects.

CT 143: Microsoft Word on the PC. (1)

Designed to introduce students to using Microsoft Word. Students will learn to create and save documents, using existing documents and how to edit their text. Students will also learn to delete selected text and undo margins and tabs.

CT 144: Introduction to HTML. (1)

Introduction to creating web pages using hypertext Markup Language (HTML). Students learn to edit HTML in a text editor, create basic web pages, and learn the functions of basic HTML tags for formatting text, linking pages, placing graphics, making tables, and using frames.

CT 148: Microsoft Outlook. (2)

Fundamentals of Microsoft Outlook: sending and receiving messages, managing schedules, arranging meetings, creating contact lists, recording tasks, making journal and notes entries, and integrating and customizing Microsoft Outlook.

CT 165: Introduction to Web Authoring. (3)

This course is an introduction to making and designing web pages using HTML generating software. Students learn how to make well-designed web pages from simple to the complex. Site creation with text, graphics, tables, Cascading Style Sheets, and simple animation effects are included. Design principles as they apply to the World Wide Web are also presented. No knowledge of HTML is required.

Also offered as IT 165

CT 170: Introduction to INTERNET. (1)

Designed to introduce students to fundamentals of working in the INTERNET from a PC, UNM-Los Alamos local network. Covers local area network, background of INTERNET, and services available and electronic mail.

Prerequisite: CT 101 or CT 102

CT 192*: Topics. (1-3)

Titles will vary.
CR/NC.

CT 193*: Topics. (1-3)

Titles will vary.

CT 201: Applications of Relational Databases. (4)

A basic understanding of the hierarchical, network and relational database models, with emphasis placed on relational model. Introduces fundamentals of relational databases and database software. Students will construct a relational database using current UNM-LA microcomputer software.

Prerequisite: CT 102 or CT 104 or CS 150.

CT 202: Applications of Spreadsheets. (3)

Introduces fundamentals of spreadsheets and spreadsheet software; formatting, formulas and functions, charts and objects, sorting and filtering, data validation, consolidated views and reports, pivot tables and charts, software auditing and collaborative tools, and integrated spreadsheet applications.

Prerequisite: CT 102 or CT 103 or CS 150.

CT 203: Introduction to DeskTop Publishing. (3)

Introduction to Desktop Publishing software and page design concepts on the personal computer. Topics: importing files, interaction with word processor/text editor, creating/using style sheets, editing/manipulating text, simple graphics, desktop publication. (*Also offered as DMA 203*)

Prerequisite: none

**CT 220: Intermediate Microsoft Windows. (2)
(Previously CT 210LT)**

Operating techniques such as system back ups, security and communications are the primary focus. Discussions of advanced techniques such as the registry and troubleshooting will be included.

Prerequisite: CT 102 or CT 101 or C T 131.

CT 292*: Topics. (1-3)

Titles will vary.
CR/NC.

CT 293*: Topics. (1-3)

Titles will vary.

**CT 296: Microcomputer Technology
Cooperative Work Phase 1, 2, or 3. (1-3)**

A work-study program with local industry to give the student practical experience in an industrial environment.

Prerequisites: Third or fourth semester standing and permission of the Information Technology Curriculum Coordinator.

CR/NC.



Cooperative Education Program (E Coop)

E Coop 105: Cooperative Education Work Phase. (0)**E Coop 109: Evaluation of Cooperative
Education Work Phase 1. (1)**

CR/NC

**E Coop 110: Evaluation of Cooperative
Education Work Phase 2. (1)**

CR/NC.

**E Coop 209: Evaluation of Cooperative
Education Work Phase 3. (1)**

CR/NC.

**BSTC 296: Business Cooperative Work Phase 1,
2, or 3. (1-3)**

A work-study program with local industry to give the student practical experience in an industrial environment.

Prerequisites: Third or fourth semester standing and permission of the Business Curriculum Coordinator.

CR/NC.

**CT 296: Microcomputer Technology Cooperative
Work Phase 1, 2, or 3. (1-3)**

A work-study program with local industry to give the student practical experience in an industrial environment.

Prerequisites: Third or fourth semester standing and permission of the Information Technology Curriculum Coordinator.

CR/NC.

**ELCT 296: Electronics Technology Cooperative
Work Phase 1, 2, or 3. (1-3)**

A work-study program with local industry to give the student practical experience in an industrial environment.

Prerequisites: Third or fourth semester standing and permission of the Applied Technologies Curriculum Coordinator.

CR/NC.

**IT 109: Information Technology Cooperative
Education. (1-3)**

A work-study program with local industry to give the student practical experience in an industrial environment doing technology work.

Prerequisite: Third or fourth semester standing and permission of the Information Technology Curriculum Coordinator.

**MST 296: Materials Science Technology
Cooperation Work Phase (1)**

A work-study program with local industry to give the student practical experience in an industrial environment .

Prerequisite: Third or fourth semester standing and permission of the Applied Technologies Curriculum Coordinator.

CR/NC.



Digital Media Arts (DMA)

*Courses marked with an * may be repeated for credit because the subject matter varies.*

DMA 101: Introduction to Digital Imaging & Scanning. (1)

Students learn to make images with a computer and scanner, as well as study basic concepts of digital imaging/digital photography. This leads to an understanding of the requirements for achieving image quality as it applies to screen display (world wide web) or for printed output.

Prerequisite: none

DMA 102: Beginning Digital Photography. (1)

This course concentrates on raster imaging as it pertains to digital photography. A survey of digital still cameras and other hybrid imaging devices, and the preparation of imagery for print via color management procedures are also covered.

Prerequisite: none. (Basic computer literacy is assumed.)
A digital camera is required for this course.

DMA 165: Introduction to Digital Media Arts I (Photoshop). (3)

This course serves as an introduction to the computer as an image-making device using raster-imaging software (Adobe Photoshop). It includes the making and manipulating of images derived from photography and other traditional media. Included also is the digital preparation of imagery for printed and display (Web) output.

Prerequisite: none

DMA 166: Digital Media Arts II (Illustrator). (3)

This course is an introduction to the computer as an image-making device using vector-imaging software (Adobe Illustrator). It includes the creation and manipulation of digital imagery derived from traditional graphic design, including typography and illustration graphics. Students will design logo art and other projects aimed for printed and screen display.

Prerequisite: none

DMA 168: Multiple Image Graphics (Photoshop). (1-3)

Students who have introductory experience in Photoshop concentrate making imagery that requires the use of selection tools, masks, alpha channels, layers and blending modes. Such examples include selective alterations to individual images and multiple-image montage. While photography is the most common source material for these techniques, students are also encouraged to use these Photoshop techniques for digital painting and printmaking.

Prerequisite: DMA 165.

DMA 175: Digital Imaging and Photography (Photoshop). (3)

This course concentrates on raster imaging as it pertains to digital photography. A survey of digital still cameras and other hybrid imaging devices, the preparing of imagery for print via color management procedures, and immersive Imaging are included in this course. This course also advances techniques and issues introduced in DMA 165.

Prerequisite: DMA 165.

DMA 193*: Topics. (1-3)

Titles will vary.

DMA 203: Introduction to Desktop Publishing. (3)

Introduction to Desktop Publishing software and page design concepts on the personal computer. Topics: importing files, interaction with word processor/text editor, creating/using style sheets, editing/manipulating text, simple graphics, and desktop publication. Also offered as CT 203

Prerequisite: none

DMA 240: Audio/Video for the Web (3)

This course serves as an introduction to digital video (with audio) and its unique aesthetic criteria. This class' focus is the creation and use of video projects for integration into interactive projects, either for a single participant or for mass Internet presentations, or for the creation of a standalone project.

Prerequisite: DMA 101.

DMA 250: Web Animation and Interactive Multimedia Design. (3)

This course will introduce tools for making interactive multi-media projects in combination with animation (moving image). It will focus on design issues relative to non-linear interactive web sites, games, books, training modules, or experimental projects. Basic Theories and techniques of Animation will also be covered. These projects will be designed primarily for the World Wide Web, however options will be presented for non-web applications. May be repeated for credit.

Prerequisite: DMA 166.

DMA 270: Special Projects in Web/Multimedia. (3)

Students enrolled in this course to concentrate on a specific project, a specific area of multi-media, or to refine their techniques in making well designed web or interactive projects. This course will introduce critical thinking about web aesthetics and culture. Students will research well-designed or aesthetically experimental sites and present their findings as well as work toward utilizing these principles to improve their own projects. May be repeated for credit.

Prerequisites: DMA 250 and IT 165.



Drafting Technology (DRFT)

*Courses marked with an * may be repeated for credit because the subject matter varies.*

DRFT 103: Introduction to Drafting. (3)

Intended as a first course for students with no previous exposure to drafting. The class will include hands-on drawing in class and will introduce basic topics in drafting methods.

DRFT 119: Drafting/Blueprint Reading. (3)

Fundamentals of technical industrial communication: drafting, sketching, blueprint reading, layout work in specialized areas; visualization and interpretation of blueprints and sketches of parts, assemblies, and processes.

Prerequisite: DRFT 103

DRFT 192*: Topics. (1-3)

Titles will vary.

CR/NC.

DRFT 193*: Topics. (1-3)

Titles will vary.

DRFT 220: Fundamentals of Geometric Dimensioning and Tolerancing. (3)

An introduction to geometric dimensioning and tolerancing (GD & T), according to the American Society of Mechanical Engineers (ASME) Y14.5 standard for engineering drawings. This course will develop an understanding to specify or interpret GD & T per industry blueprints, the effects on part function, and the inspection procedures to verify those specifications.

Prerequisites: DRFT 103 and DRFT 119

Other education or job experience may be substituted for prerequisites.



Early Childhood Multicultural Education (ECME)

ECME 101: Child Growth, Development, and Learning. (3)

This basic course in the growth, development, and learning of young children, provides foundational knowledge of how young children grow, develop and learn.

ECME 103: Health, Safety, and Nutrition. (2)

This course provides information related to standards and practices that promote children's physical and mental well being, sound nutritional practices, and maintenance of safe learning environments.

ECME 111: Family and Community Collaboration I. (3)

This basic course examines the involvement of families from diverse cultural and linguistic backgrounds in early childhood programs. Ways to establish collaborative relationships with parents and others involved with children in early childhood settings are discussed.

ECME 115: Guiding Young Children. (3)

This course explores theories of child guidance and practical applications. It provides developmentally appropriate methods for guiding children, effective strategies and suggestions for facilitating positive social interactions.

ECME 117: Curriculum Development and Implementation I. (3)

This beginning curriculum course focuses on developmentally appropriate content in early childhood programs and developmentally appropriate curriculum integration into teaching and learning experiences.

Corequisite: ECME 117L.

ECME 117L: Curriculum Development and Implementation Practicum I. (2)

This course provides opportunities for students to apply knowledge gained from ECME 117 and develop skills in planning developmentally appropriate learning experiences for young children including children with special needs.

Corequisite: ECME 117.

ECME 202: Introduction to Reading and Literacy Development. (3)

This is a basic course in children's emergent literacy and reading development: Ways to foster phonemic awareness, literacy problem solving skills, fluency, vocabulary, comprehension, and language development are explored.

ECME 217: Curriculum Development and Implementation II. (3)

This basic course focuses on the learning environment and the implementation of curriculum in early childhood programs. Various curriculum models and teaching and learning strategies are explored.

Corequisite: ECME 217L.

ECME 217L: Curriculum Development and Implementation Practicum II. (2)

This course provides opportunities to apply knowledge gained in ECME 217 and develop skills in planning learning environments and implementing curriculum for young children including those with special needs.

Corequisite: ECME 217.

ECME 220: Assessment of Children and Evaluation of Programs I. (3)

This basic course familiarizes students with a variety of culturally appropriate assessment methods and instruments, and the development and use of formative and summative program evaluation to ensure quality.

ECME 230: Professionalism. (2)

This course provides a broad-based orientation to the field of early care and education. Early childhood history, philosophy, ethics and advocacy are introduced.



Earth and Planetary Science (EPS)

EPS 101: How the Earth Works - An Introduction to Geology. (3)

A fascinating tour of our active planet. Explore earth materials (rocks and minerals), the continents' motions and related origins of earthquakes, volcanoes, mountain building, oceans, landscapes, natural energy and economic resources, global warming and other topics. *Meets New Mexico Lower Division General Education Common Core Curriculum Area III: Science. (NMCCN 1114)*

EPS 105L: Physical Geology Laboratory. (1)

Minerals, rocks, and topographic and geological maps; field trips. *Meets New Mexico Lower Division General Education Common Core Curriculum Area III: Science. (NMCCN 1114)*
Pre- or Corequisite: EPS 101.

EPS 110: Topics in Earth Sciences. (1-3 to a maximum of 3)

Eight to sixteen week course on selected topics relating directly to the human experience, e.g., Volcanoes, Extinctions, Weather, Earthquakes, New Mexico's Water, Soils, Nuclear Hazards, Geomagnetism, Albuquerque's Field Geology and the Geology of Everyday Life.

EPS 115: Geological Disasters. (3)

Causes and effects of disastrous geological events, including earthquakes, volcanic eruptions, tsunamis, landslides and floods.

EPS 201L: Earth History (4)

Origin and history of the earth including age of the planet and dating of rocks, changing configurations of oceans and continents as a result of plate tectonics, records of climate change, history of formation and erosion of mountain chains, origin and evolution of life and causes of extinction. Required field trip and lab exercises permit understanding of how Earth

history is interpreted from the geologic rock record. *Meets New Mexico Lower Division General Education Common Core Curriculum Area III: Science.*

Prerequisite: EPS 101 or ENVS 101; *Pre- or corequisite:* EPS 105L or ENVS 102L.

EPS 203: Earth Resources and Environment (3)

Geologic context for the occurrence of metals, industrial minerals, water, and energy resources on Earth, Environmental ramifications of resource exploration, exploitation and use and local, national and global environmental laws and treaties governing those activities.

Prerequisite: EPS 101 or ENVS 101 recommended.

EPS 251: Meteorology. (3)

(Also offered as GEOG 251)

Description of weather phenomena, principles of atmospheric motion, weather map analysis and weather prediction.

(Also offered as GEOG 251)



Economics (ECON)

ECON 105: Introductory Macroeconomics. (3)

Economics on a national scale; determination of national income, employment level, inflation, and impact of policies affecting money supply, interest rates and government programs. Current macroeconomic issues and problems.

Meets New Mexico Lower Division General Education Common Core Curriculum Area IV: Social/Behavioral Sciences (NMCCN 2113) - Prerequisite for most upper-division courses.

ECON 106: Introductory Microeconomics. (3)

Exploration of individual consumer behavior, production decisions by the firm, and supply and demand relationships in the marketplace. Examination of the international dimension of production and consumption choices.

Meets New Mexico Lower Division General Education Common Core Curriculum Area IV: Social/Behavioral Sciences (NMCCN 2123) - Prerequisite for most upper-division courses.

ECON 203: Society and the Environment. (3)

Introduction to environmental and natural resource issues of both global and local scale. Investigates basic causes and consequences of environmental problems, including interrelated physical and social science dimensions.

(Also offered as CRP 203)

ECON 212: Personal Investing. (3)

Investment options available to the individual will be analyzed in terms of economic theories of capital markets. Risk, value, returns and portfolio analysis.



Electro Mechanical Technology (ELCT)

ELCT 101: DC Circuit Analysis (4)

Basic elements of DC electrical and electronic circuits, circuit analysis, measurement, and circuit design. Study of circuit network theorems and their applications to design techniques. Study of conductors and insulators.

Prerequisite: MATH 120 and MATH 106 or equivalent

ELCT 102: AC Circuit Analysis. (4)

AC electrical and electronic components, including inductance, capacitance, resonance, filters, RC and LR time constants. Study of reactance, impedance, complex numbers, AC network analysis, magnetism, and simple power supplies. Introduction to rotating electrical machines, both AC and DC.

Prerequisite: A grade of C or better in ELCT 101.

Pre- or Corequisite: MATH 123.

ELCT 105L: Electro Mechanical Shop Practice. (3)

Principles of and practice with hand and machine tools used by electromechanical technicians. Includes operation of lathe and milling machines, drilling, welding, sawing, grinding, soldering, brazing, measurements, sheet metal work, benchwork, or other appropriate operations.

ELCT 112L: RF/Power Lab. (1)

Study of RF energy and its applications. Topics include plasma, physics, RF applications, safety, RF generators, transmission lines and RF interference. Topics also include wireless and antennas.

Prerequisite: ELCT 102.

ELCT 114: Vacuum Systems. (1)

Study of vacuum technologies and vacuum systems. Topics include gas laws and properties, operation and applications of vacuum pumps, gauges and valves, and systems leak detection. Applies vacuum technologies and vacuum systems.

ELCT 137: Digital Electronics I (Combinational Logic). (3)

An introduction to the analysis and synthesis of combinational logic circuits. Boolean algebra, logic gates, Karnaugh maps, MSI and LSI integrated circuits. Interpretation of logic diagrams. Techniques of troubleshooting digital circuits.

Prerequisite: ELCT 101.

ELCT 192*: Topics. (1-3)

Titles will vary.

CR/NC.

ELCT 193*: Topics. (1-3)

Titles will vary.

ELCT 203: Electronic Devices. (4)

Study of amplifiers, oscillators, integrated circuits, and operational amplifiers. Computer solutions of electronic circuits.

Prerequisite: C or better in ELCT 102.

ELCT 204L: Electronics Lab. (2)

Advanced laboratory measurements and design. Measurements using AC and DC meters, ohmmeters, oscilloscopes, signal generators, and pulse generators. Computer circuit stimulation.

Prerequisite: C or better in ELCT 203

ELCT 205: Mechatronics. (4)

Mechatronics is a combination of mechanical and electronic components into an integrated system. Includes a study of basic electronic theory, digital systems, introductory control theory, operational amplifiers, transducers, temperature measurement, motors, and data acquisition.

Prerequisites: ELCT 101 and ELCT 102. (ELCT 203 recommended)

ELCT 292*: Topics. (1-3)

Titles will vary.

CR/NC.

ELCT 293*: Topics. (1-3)

Titles will vary.

ELCT 296: Electronics Technology Cooperative Work Phase 1, 2, or 3. (1-3)

A work-study program with local industry to give the student practical experience in an industrial environment.

Prerequisites: Third or fourth semester standing and permission of the Applied Technologies Coordinator.

CR/NC.



Emergency Medicine (EMS)

EMS 101: EMT - Basic. (7)

Meets the 1998 EMT-Basic National Standard Curriculum requirements and incorporates New Mexico EMT-B scope of practice. Includes lecture and lab instruction to prepare the student to sit for New Mexico and National Registry testing.

Restriction: Program permission

EMS 104 [108]: Land Navigation. (3)

Teaches the basics of land navigation, map interpretation, GPS, and compass use in a wilderness environment.

Prerequisite: EMS 107

EMS 105 [107]: Wilderness Survival. (3)

Teaches the basics of survival in wilderness environment. Topics include finding food and water and constructing temporary shelters. Two overnight field trips are included in the course.

EMS 113 EMT–Basic (6)

Meets the 1998 EMT-Basic National Standard Curriculum requirements and incorporates New Mexico EMT-B scope of practice. Includes lecture instruction to prepare the student to sit for New Mexico and National Registry testing.

Restriction: Program Permission

Corequisite: EMS 142.

EMS 114 EMT–Basic I (3)

First half of a 2-semester option for EMT-Basic based on the National Standard Curriculum and New Mexico EMT-B scope of practice. Provides lecture instruction to prepare the student for EMS 115, EMT–Basic II.

Restriction: Program permission

Corequisite: EMS 140.

EMS 115 EMT–Basic II (3)

Second half of a 2-semester option for EMT-Basic based on the National Standard Curriculum and New Mexico EMT-B scope of practice. Provides instruction to prepare the student to sit for New Mexico and National Registry testing.

Restriction: Program permission

Prerequisites: EMS 114 and EMS 140

Corequisite: EMS 141

EMS 140 EMT–Basic Lab I (1)

First half of a 2-semester option for EMT-Basic based on the National Standard Curriculum and New Mexico EMT-B scope of practice. Provides lab instruction to prepare the student for EMS 141, EMT–Basic Lab II.

Restriction: Program permission

Corequisite: EMS 114

EMS 141 EMT–Basic Lab II (1)

Second half of a 2-semester option for EMT-Basic based on the National Standard Curriculum and New Mexico EMT-B scope of practice. Provides lab instruction to prepare the student to sit for New Mexico and National Registry testing.

Restriction: Program permission

Prerequisites: EMS 114 and EMS 140

Corequisite: EMS 115

EMS 142. EMT-Basic Lab (2)

Meets the 1998 EMT-Basic National Standard Curriculum requirements and incorporates New Mexico EMT-B scope of practice. Provides lab instruction to prepare the student to sit for New Mexico and National Registry testing.

Restriction: Program Permission

Corequisite: EMS 113.

EMS 193*: Emergency Medicine Topics. (1-3)

Titles will vary.



Engineering

ENG 116: Introduction to Engineering (1-3 to a maximum of 6)

Description of the engineering profession, orientation to engineering education, introduction to the engineering design process. Does not count toward degree credit in the College of Arts and Sciences of in the School of Engineering. Two hours lecture and demonstrations.

Chemical and Nuclear Engineering (CHNE)**CHNE 101: Introduction to Chemical and Nuclear Engineering (1)**

An introduction to the professions of chemical engineering and nuclear engineering; current research in these fields; career choices; guidance and advice on curricular matters and effective study techniques for chemical and nuclear engineering students.

Civil Engineering (CE)**CE 202: Engineering Statics. (3)**

Statics of particles and rigid bodies in two and three dimensions using vector algebra as an analytical tool; centroids; distributed loads; trusses, frames; friction.

Prerequisites: PHYC 160 and MATH 163

Electrical and Computer Engineering (ECE)

ECE 101 Introduction to Electrical and Computer Engineering (1)

Insight into electrical engineering is gained through videos, “hands-on” experiments, use of computer software to learn basic problem-solving skills and team-oriented design project.

ECE 131: Programming Fundamentals. (3)

Fundamental programming concepts, including consideration of abstract machine models with emphasis on the memory hierarchy, basic programming constructs, functions, parameter passing, pointers and arrays, file I/O, bit-level operations and interfacing to external devices.

ECE 203: Circuit Analysis I. (3)

Basic elements and sources. Energy and power. Ohm’s law and Kirchhoff’s laws. Resistive networks, node and loop analysis. Network theorems. First-order and second-order circuits. Sinusoidal sources and complex representations: impedance, phasors, and complex power. Three-phase circuits.

Prerequisites: MATH 163 and CS 151L.

Corequisites: MATH 316 and PHYC 161.

Note: Please check with advisor to register at UNM-Los Alamos.

ECE 213: Circuit Analysis II. (3)

General transient analysis of electrical circuits. Laplace transform with application to circuit analysis. State-space equations. Fourier series analysis. The network function; convolution; frequency response.

Prerequisites: ECE 203L & MATH 316.

Corequisite: MATH 314.

ECE 238L: Computer Logic Design. (4)

Binary number systems. Boolean algebra. Combinational, sequential and register transfer logic. VHDL Arithmetic/logic unit. Memories, computer organization. Input-Output. Microprocessors.

Prerequisite: CS 151L

Mechanical Engineering (ME)

ME 160L: Mechanical Engineering Design I. (3)

Introduction to engineering graphics, the design process, computer aided design, engineering ethics, design economics and project management. 2 hrs lecture, 3 hrs. lab.

Prerequisite: eligibility for admission to MATH 150.

ME 260L: Mechanical Engineering Design II. (3)

The design process, project management, shop practice CNC and rapid prototyping, design economics and engineering ethics. 2 hrs. lecture, 3 hrs lab.

Prerequisites: ME 160L, and MATH 162.

*This course will be occasionally offered through Extended University but will be taught by UNM–Albuquerque and carry UNM main campus tuition rates.

Engineering (General) (ENGF)

ENGF 130: Introduction to Environmental Science I (3)

This course presents an overview of the earth’s ecosystems and various threats to the environment resulting from our way of living. Problems of pollution of our ground and surface water, ozone depletion, gaseous and particulate pollution of our atmosphere, and production of hazardous wastes of all types are discussed; groundwork is laid for study of possible alleviation of the problem.

ENGF 131: Introduction to Environmental Science II. (3)

A continuation of ENGF 130. The sources of energy, their use and misuse, are studied. Environmental and human health problems associated with air, water and land pollution are discussed in detail.

ENGF 193*: Topics. (1-3)

Titles will vary.

ENGF 201: Fundamentals of Hazardous Materials. (3)

An introductory study of chemical and radiological materials that are potentially threatening to human safety or health, and procedures to use in working around and with them. Topics include identification of such materials and their particular threat. Practices to follow to avoid occurrences in incidents or to mitigate the damage; and an overview of federal and state standards and regulations.

Prerequisites: CHEM 121 and CHEM 123L.

ENGF 202: Introduction to Hazardous Waste Management. (3)

Environmental legislation and classification and categorization of hazardous waste are presented. Waste minimization and chemical, physical, and biological treatment methods are discussed, making abundant use of case studies.

ENGF 222: Introduction to Radioactive Materials. (3)

Elementary concepts of atomic and nuclear structure. Radioactive decay, radiation effects and shielding, radiation detection and measurement techniques, and special problems in waste management presented by radioactive materials are covered.

Prerequisites: CHEM 121 and CHEM 123L and MATH 150.

ENGF 293*: Topics. (1-3)

Titles will vary.

Environmental Science (ENVS)

ENVS 101: The Blue Planet. (3)

To understand global change and environmental concerns, this course weaves together an understanding of Earth's lithosphere, atmosphere and oceans and how ecosystems are linked to the physical environment. *Students are encouraged, but not required, to enroll concurrently in 102L.*

ENVS 102L: The Blue Planet Laboratory (1)

Introductory environmental earth science laboratory. Includes minerals, rocks, and rock cycle, topographic maps, local geology and groundwater, weather and climate.

Pre- or corequisite: ENVS 101.

English (ENGL)

Students placing into English 099 [IS-E 010] or English 100 [IS-E 100] must also take ARSC 198, Introduction to Undergraduate Study as a pre- or corequisite.

ENGL 099: Developmental English II (1-4 credit hours)

An intensive study of fundamental writing skills, focusing upon paragraph development, fluency, and introducing the essay.

Note: At UNM-LA this course is offered for 4 credit hours with A, B, C, CR, NC grading, has a co-requisite of ISE 020, and includes a skills laboratory.

ISE 020: Reading I. (1)

Reading for accuracy and understanding in short expository passages. Vocabulary, sequence and discussion skills are emphasized.

ABC/NC or CR/NC.

ISE 021: Reading II. (1)

Reading for analysis in short expository/academic passages. Vocabulary, outlining, note-taking, distinguishing among fact, assertion, evidence, and implication are emphasized.

ABC/NC or CR/NC.

ENG 100: Writing Standard English (1-4 cr hrs)

Developmental writing course providing concentrated practice writing and reviewing basic essays, as well as intensive study of grammar, punctuation, and usage.

Prerequisites: Successful completion of ISE 010 (A, B, C, CR), or ENGL 099 (A, B, C, CR) or minimum placement test score.

Note: At UNM-LA this course is offered for 4 credit hours with ABC/NC, CR/NC grading, has a co-requisite of ISE 021, and includes a skills laboratory.

ENGL 101: Composition I: Exposition. (3)

Expository writing and reading. Concentrates on organizing and supporting ideas in writing.

Meets New Mexico Lower Division General Education Common Core Curriculum for Area 1: Communications.

Prerequisite: A grade of C (not C-) or better in ENGL 100 or appropriate placement score. (See Freshman English at UNM: A Student Handbook or UNM-LA's English Composition Handbook.)

ENGL 102: Composition II: Analysis and Argument. (3)

Practice writing analytic and argumentative essays based on expository and literary readings. Some research required. *Meets New Mexico Lower Division General Education Common Core Curriculum Area 1: Communications.*

Prerequisite: C or better in 101 or verbal ACT of 29 or verbal SAT of 650. (See Freshman English at UNM: A Student Handbook or UNM-LA's Composition Handbook.)

ENGL 107: Greek Mythology. (3)

Introduction to mythology: primary readings in stories about the gods and heroes, usually including Homer, Hesiod, Homeric Hymns and Tragedies. All texts will be in English.

Also offered as CLST 107

ENGL 119: Technical Communications (3)

Introductory study of written and verbal communications used in the technical professions for students in technology and degree programs.

Prerequisite: ENGL 101

ENGL 150: The Study of Literature. (3)

An introduction to the study and appreciation of literature for non-English majors. Shows how understanding writer's techniques increases the enjoyment of their works; relates these techniques to literary conventions; teaches recognition, analysis, and discussion of important themes. *UNM core curriculum Area 5: Humanities*

ENGL 211*: Topics in Literature. (3 to a maximum of 6)

Surveys a specific type or area of literature, e.g., the American novel, the satiric novel, southern fiction, the western novel, American poetry, feminist literature, Chicano literature, Native American literature, African-American literature, Medieval and Viking literature. Primarily for non-majors.

Prerequisite: ENGL 150 or permission of the instructor.

ENGL 217: Editing. (3)

This course focuses on using editing business/technical documents for organization, reader-centered style, and graphics and visual design of graphics. Also covered is fundamentals document project management and production and basic proofreading marks and skills. Editing will be learned primarily by editing.

ENGL 219: Technical and Professional Writing. (3)

Practice in the writing and editing of workplace documents, including correspondence, reports and proposals. *UNM core curriculum for area 1: Writing and Speaking.*

Prerequisite: 101 with a B or better, or 102 with C or better, or ACT \geq 29 or SAT \geq 650.

ENGL 220: Expository Writing. (3 to a maximum of 6)

An intermediate course with emphasis on rhetorical types, structure and style. *UNM core curriculum for area 1: Writing and Speaking.*

Prerequisite: 101 with a B or better, or 102 with C or better, or ACT \geq 29 or SAT \geq 650.

ENGL 221: Introduction to Creative Writing: Fiction. (3)

A beginning course in fiction, emphasizing process over product. Introduces issues of craft, workshop vocabulary, strategies for revision and the habit of reading as a writer. A \$20.00 workshop fee is required. For those going into a Creative Writing degree at UNM, this course will transfer as an elective. English 224 is the preferred class for Creative Writing Majors.

Prerequisite: ENGL 101 or its equivalent.

ENGL 222: Introduction to Creative Writing: Poetry. (3)

A beginning course in poetry, emphasizing process over product. Introduces issues of craft, workshop vocabulary, strategies for revision and the habit of reading as a writer. A \$20.00 workshop fee is required. For those going into a Creative Writing degree at UNM, this course will transfer as an elective. English 224 is the preferred class for Creative Writing Majors.

Prerequisite: ENGL 101 or its equivalent.

ENGL 223: Introduction to Creative Writing: Creative Nonfiction. (3 to a maximum of 6)

A beginning course in nonfiction, emphasizing process over product. The course introduces issues of craft, workshop vocabulary, strategies for revision and the habit of reading as a writer. A \$20.00 workshop fee is required. For those going into a Creative Writing degree at UNM, this course will transfer as an elective. English 224 is the preferred class for Creative Writing Majors.

Prerequisite: ENGL 101 or its equivalent.

ENGL 224. Introduction to Creative Writing. (3)

A beginning course in the writing of fiction, poetry, and creative nonfiction. Emphasis on process over product. Introduces issues of craft, workshop vocabulary, strategies for revision, and the habit of reading as a writer.

Prerequisite: ENGL 101

ENGL 240: Traditional Grammar. (3)

A study of the basic analysis of English sentences offered by traditional grammar. Presents terminology and methods for identifying parts of speech, functional units of sentences, and basic sentence patterns.

ENGL 245: Grant and Proposal Writing. (3)

This course focuses on the rhetoric strategies, organization, and development of proposals and grants. Topics include researching for grant/proposal opportunities, following proposal guidelines, using effective visuals, and writing for conciseness, clarity and persuasive appeal.

ENGL 246: Public Relations Writing. (3)

This course focuses on fundamental public relations/marketing skills used to promote business and non-profit organizations. Skills covered will include advanced audience analysis, persuasive techniques, media relations, visual design, and research methods. Genres to be covered include newsletters, press kits, annual reports, radio scripts, and presentations. (Not a main campus course).

ENGL 250. The Analysis of Literature. (3)

First course required of all English majors. Concentrates on methods of literary analysis and critical writing.

Prerequisite: 102 or its equivalent.

ENGL 264: Survey of Native Literatures and Rhetorics. (3)

A general overview of the history and diversity of the literatures and rhetorics of Native peoples, oral tradition, film, autobiography, fiction, poetry, art, drama and ceremony. Focus on American Indian texts.

ENGL 265: Introduction to Chicano/a Literature. (3)

A survey of Chicano/a novels, short stories, essays, poetry and drama from the 19th century to the present, with emphasis on major themes such as history, culture, identity, language and region.

ENGL 290: Introduction to Professional Writing (3).

Introductory course in the professional writing concentration. Study of technical writing, public information and public relations writing, and freelance nonfiction writing.

Prerequisite: ENGL 102 or its equivalent.

ENGL 292: World Literatures: Ancient World through the 16th Century. (3)

Survey of key texts in world literature from the ancient world through the 16th century. *UNM core curriculum for area V: Humanities.*

ENGL 293: World Literature: 17th Century through the present. (3)

Survey of key texts in world literature from the 17th century through the present. *UNM core curriculum for area V: Humanities*

ENGL 294: Survey of Earlier English Literature. (3)

From Old English to 1798. A study of the principal literary and intellectual movements, and selected writers and literary works from Beowulf through Johnson.

ENGL 295: Survey of Later English Literature. (3)

From 1798 to present. Study of principal literary and intellectual movements, and selected writers and literary works.

ENGL 296: Earlier American Literature. (3)

A general survey of American Literature to the mid 19th century.

ENGL 297: Later American Literature. (3).

A general survey of American Literature from the mid 19th century to the present.

ENGL 298*: Workshop in Literature or Writing. (1 - 3 to a maximum of 6)

Various topics in literature, language, and writing.

Fine Arts (FA)

*Courses marked with an * may be repeated for credit because subject matter varies*

FA 229*: Topics (1-3)*

Interdisciplinary topics in the arts.

Foreign Languages & Literatures

*Courses marked with an * may be repeated for credit because the subject matter varies.*

Chinese (CHIN)

CHIN 101: Elementary Chinese I. (3)

French (FREN)

FREN 101: Elementary French. (3)

Conducted in French.

FREN 102: Elementary French II. (3)

Conducted in French

FREN 103: Elementary French Conversation. (1)

Supplementary course to FREN 101-102 for students interested in additional practice in speaking.

FREN 108: Elementary French Reading. (1)

Continuation and enrichment of elementary curriculum, conducted entirely in French.

German (GRMN)

GRMN 101: Elementary German I. (3)

GRMN 102: Elementary II. (3)

Language course sequence for all beginning students, providing a foundation in reading, writing, listening and speaking skills for all subsequent courses.

Russian (RUSS)

RUSS 101: Elementary Russian I. (3)

Elementary Russian for students with no previous exposure to the language. Development of all four-language skills: reading, speaking, writing and listening comprehension.

Can be taken in conjunction with RUSS 103.

RUSS 102: Elementary Russian II. (3)

Elementary Russian for students who have completed RUSS 101 or equivalent. Continued development of all four skills.

Can be taken in conjunction with RUSS 104.

RUSS 103-104: Beginnings: Speaking Russian. (1,1)

Practice in basic conversation and training in acquiring a good accent. The courses are supplemental to RUSS 101-102 and stress the patterns and forms introduced in the main courses.

RUSS 201-202: Intermediate Russian I– Intermediate Russian II. (3, 3)

Prerequisites: RUSS 101-102 or the equivalent.

Signed Language (SIGN)

SIGN 201: Introduction to Signed Language. (3)

Overview of signed language studies and related issues. Introduction to American Sign Language (ASL); signed communication systems most frequently used by deaf and hard of hearing individuals, the study of fingerspelling.

Spanish (SPAN)

*Courses marked with an * may be repeated for credit because the subject matter varies.*

SPAN 101: Elementary Spanish I (3)

Beginning Spanish for students with no previous exposure to Spanish. Development of all four language skills, with emphasis on listening and speaking.

SPAN 102: Elementary Spanish II. (3)

Beginning Spanish for students who have completed SPAN 101 or equivalent. Continued development of four skills with emphasis on listening and speaking.

SPAN 103-104: Elementary Spanish Conversation I. (1, 1) — Elementary Spanish Conversation II

Supplementary courses to SPAN 101-102 for students interested in additional practice in speaking.

CR/NC.

Prerequisite or Co-requisite: SPAN 101 or 102

SPAN 201: Intermediate Spanish I. (3)

Intermediate Spanish for students who have completed SPAN 102 or equivalent. Review of grammar and further development of all four skills.

SPAN 202: Intermediate Spanish II. (3)

Intermediate Spanish for students who have completed SPAN 201 or equivalent. Continued development of all four skills with emphasis on reading.

SPAN 203: Spanish Conversation. (3)

For students who have completed or are currently enrolled in SPAN 201, SPAN 202, or SPAN 276. Small classes designed to increase skills in speaking Spanish. Not for native speakers.

Pre- or corequisite: SPAN 201 or 202.

SPAN 293T*: Topics. (1-3)

Titles will vary.

GAME (GAME)

*Courses marked with an * may be repeated for credit because the subject matter varies*

GAME 100: Introduction to Game Project (3)

Introductory game development concepts and techniques. Topics common to all game development: history of modern games, player considerations, game elements, storytelling and narrative, character development, gameplay experience, levels, interface design, audio, strategy, and project management.

GAME 150: Game Project I (3)

Create computer games utilizing game development tools that require no programming including 2D graphics, 3D modeling, music and sound effects. Tasks include: game setup, development studio, manipulating graphic images, creating sounds/music, pictures and animation.

Prerequisites: GAME 100

GAME 200: Game Project II (3)

Create more complex two-dimensional games utilizing C++ and the Windows environment. Topics include algorithms, multithreading, artificial intelligence (AI) and physics modeling. Tasks include creating several games, using advanced data structures and AI.

Prerequisites: GAME 150, CS148, and CS241

GAME 250: Game Project III (3)

Focus on creating 3D games. Topics include 3D models of players, vehicles, items, and structures; audio and music; GUI and menus; UV wrapped textures and skins; environmental effects; and outdoor terrain. Uses C++ and Torque.

Prerequisite: GAME 200

General Studies (GNST)

Courses marked with an * may be repeated for credit because the subject matter varies

GNST 192*: Topics. (1-3)

Titles will vary.
CR/NC

GNST 193*: Topics. (1-3)

Titles will vary.

GNST 292*: Topics. (1-3)

Titles will vary.
CR/NC

GNST 293*: Topics. (1-4)

Titles will vary.

Geography (GEOG)

GEOG 101: Physical Geography. (3)

World geography; physical elements. Use of maps and globes for a systematic analysis of world climates, vegetation, soils, and landforms, their distribution, interrelation, and significance to humans. *UNM core curriculum for area III: Physical and Natural Sciences.*

GEOG 102: Human Geography. (3)

World Geography; human elements. A systematic analysis of world population, demographic factors, ethnic groups, predominant economies, and political units, their distribution, interrelation, and interaction with the physical earth.

GEOG 105L: Physical Geography Laboratory. (1)

Exercises designed to complement GEOG 101. Applied problems in the spatial processes of the physical environment. Map construction and reading, weather and climatic analysis, classification of vegetative and soil associations, landform distribution analysis. *UNM core curriculum for area III: Physical and Natural Sciences.*

Pre- or Corequisite: GEOG 101. Two hrs. lab.

GEOG 195: Survey of Environmental Issues. (3)

Survey of environmental issues related to the degradation of land, air, and water resources.

GEOG 251: Meteorology. (3)

Description of weather phenomena, principles of atmospheric motion, weather map analysis and weather prediction.

Also offered as EPS 251.

History (HIST)

Courses marked with an * may be repeated for credit because the subject matter varies.

HIST 101L: Western Civilization to 1648. (3)

Ancient times to 1648. *Meets New Mexico Lower Division General Education Common Core Curriculum Area V: Humanities and Fine Arts.*

HIST 102L: Western Civilization Post 1648. (3)

1648 to present. *Meets New Mexico Lower Division General Education Common Core Curriculum Area V: Humanities and Fine Arts.*

HIST 161L: History of the United States to 1877. [History of the United States]. (3)

Survey of the economic, political, intellectual, and social development of the United States, including the place of the U.S. in world affairs from 1607 to 1877.

Meets New Mexico Lower Division General Education Common Core Curriculum Area V: Humanities and Fine Arts.

HIST 162L: History of the United States Since 1877. (3)

Survey of the economic, political, intellectual, and social development of the United States, including the place of the U.S. in world affairs from 1877 to the present. *Meets New Mexico Lower Division General Education Common Core Curriculum Area V: Humanities and Fine Arts.*

HIST 204: Greek Civilization. (3)

An interdisciplinary introduction to the ancient world as the foundation of modern civilization. Lectures on classical art, history, literature, and philosophy.

Also offered as ARTH 204, PHIL 204, CLST 204.

HIST 205: Roman Civilization. (3)

An interdisciplinary introduction to ancient Rome. Lectures on Roman literature, history, art, and philosophy.

Also offered as: ARTH 205, CLST 205, PHIL 205

HIST 220: Studies in History. * (1-3, no limit)

Will vary from instructor to instructor but will offer a review of particular historical issues designed for the nonspecialist. For content of particular courses, see Schedule of Classes and contact Department. Course may be repeated without limit provided the topics vary.

HIST 260: History of New Mexico. (3)

Introduction to New Mexico history from earliest human settlement to the present day.



Information Technology (IT)

IT 109: Information Technology Cooperative Education. (1-3)

The student works in an IT-related job for one semester and gains on-the-job insight into a technology field. Student must write projected goals for the semester's work, midterm summaries of work completed thus far, and an end of the term report summarizing work completed during the semester. Students must also get a supervisor evaluation.

Prerequisite: Third or fourth semester standing and permission of the Information Technology Curriculum Coordinator.

IT 119: Networking Core Concepts. (3) (Previously IT 120LT)

This course serves as a general introduction in current networking technology for local area networks (LANs), wide-area networks (WANs), and the Internet.

Prerequisites: CS 101 and CT 102.

IT 124: Windows Client Operating Systems. (3) (Previously IT 121LT)

This class covers the skills necessary to implement, administer, and troubleshoot information systems that incorporate Windows client operating systems. (Was Windows 2000 Professional)

Prerequisite: IT 119.

IT 126: Windows Server Operating Systems. (3) (Previously IT 122LT)

This class covers the skills necessary to implement, administer, and troubleshoot information systems that incorporate Windows server operating systems. (Was Windows 2000 Server)

Prerequisite: IT 119.

IT 131: Introduction to Hardware Installation. (3)

The purpose of this course is to prepare students to take and pass the CompTIA national certification test. Students will learn function, structure, operations, file management, and emory management. Students will also practice proper safety procedures, scheduled preventative maintenance, and installation of computer components. In addition, students will configure, diagnose, and troubleshoot stand-alone computers. Finally, students will learn and apply industry accepted customer service skills.

Prerequisite: CT 102.

IT 132: Microcomputer Operating Systems. (3)

This class covers the skills necessary to install, upgrade, diagnose, and repair PC-based operating systems and common software. It focuses on the functionality of PC DOS, Windows and NT operating systems. (A+ Software)

Prerequisites: CT 102 and IT 131.

IT 141L: Help Desk I. (3)

The student is enrolled in a 3-credit course which has two parts: a normal weekly lecture plus a mandatory service time manning the Help Desk Service Phone. In this course, students are taught how to assist other students, faculty, and staff with answering computer-related questions. Skills for running the Help Desk are taught, along with technical skills related to commonly asked questions. Working at the Help Desk phone is mandatory for a fixed number of hours per week. Students will be required to log all questions with appropriate answers to those questions.

Prerequisites: CS 101, CT 102, CT 140, CT 201, CT 202, IT 131.

IT 145: Web Design Fundamentals: HTML and Style Sheets. (3)

Hands-on course in designing and developing World Wide Web pages using HTML (HyperText Markup Language) and CSS (Cascading Style Sheets). The course will cover HTML tags for text, images, links, lists, simple layouts, complex layouts, tables, frames, style, internal style sheets, and external style sheets. Basic issues in using graphics on the Web will also be covered.

Prerequisite: CT 102

IT 147: Web Usability. (3)

Course in applying the principles of usability to the design, development, and improvement of World Wide Web pages. The course will include an introduction to usability and will focus on the principles of usability applied to page design, content design, site design, Intranet design, design for users with disabilities, and design for international users. Throughout the course, the principles of usability will be supported with facts and data obtained from real users.

Prerequisite: IT 145 or CT 165/IT 165.

IT 148: Web Design: Introduction to JavaScript and DHTML. (3)

Hands-on course in designing and developing World Wide Web pages that include JavaScript. The course will cover scripts for detecting characteristics of the user's computer, adding dynamic elements to Web pages, such as image rollovers and cycling banners; controlling characteristics of the browser window and the frames that appear in the browser window; adding dynamic events such as date, time, countdowns, and time-specific messages; adding cookies. The course will also include an introduction to DHTML (a combination of HTML, Cascading Style Sheets, and JavaScript) and tips on how to debug JavaScript. .

Prerequisite: IT 145.

IT 152: Advanced Cascading Style Sheets. (3)

Cascading Style Sheets (CSS) are essential to modern Web development, allowing for the separation of presentation from content. This course explores the more advanced features of CSS and the power of separating presentation from content.

Prerequisite: IT 145

IT 165: Introduction to Web Authoring. (3)

This course is an introduction to making and designing web pages using HTML generating software. Students learn how to make well-designed web pages from simple to the complex. Site creation with text, graphics, tables, Cascading Style Sheets, and simple animation effects are included. Design principles as they apply to the World Wide Web are also presented. No knowledge of HTML is required.

Also offered as CT 165

IT 193*: Topics (1-3)

Titles will vary.

IT 210: Introduction to Geographic Information Systems (GIS). (3)

Introductory course in geographic information systems covering a general overview of the uses of GIS, hardware and software requirements, and manipulation of data sets. Students get hands-on experience with map production and GIS application development.

Prerequisite: CT 102.

IT 225: TCP/IP. (3)

This class covers the skills necessary to implement, administer, and troubleshoot information systems that incorporate TCP/IP.

Prerequisite: IT 119. (Previously IT 120LT)

IT 226: Web Servers. (3)

This class covers the skills necessary to implement, administer, and troubleshoot information systems that incorporate Apache and Microsoft IIS. (Was Microsoft Internet Information Server)

Prerequisite: IT 119. (Previously IT 120L)

IT 229: Networking Infrastructures. (3)

Networking Infrastructure covers advanced topics in configuring and supporting a Windows 2000-based network. Topics to be covered include enhanced features of W2K network management tools, security issues, DNS/WINS addressing schemes, TCP/IP addressing, domain structures/organizational units, and the role of Active Directory in a W2K based network.

Prerequisite: IT 119. (Previously IT 120LT)

IT 235L: Windows Systems Administration. (3)

Topics in Windows system administration, this is an introduction to system administration of Windows Server with a focus on security and reliability. Topics covered will include Windows Server system configuration, available tools, file system and registry structure, auditing and automation of tasks.

Prerequisite: IT 119. (Previously IT 120LT)

IT 237: LINUX/UNIX System Administration I. (3) (Previously IT 230LT)

An introduction to Unix system administration, with special attention to Internet related issues. Topics covered include UNIX organization, tools, and system configuration.

Prerequisites: (CS 101 or CS 102) and CS 103 and CS 151L.

IT 238: LINUX/UNIX System Administration II. (3) (Previously IT 231LT)

Advanced topics in UNIX system administration, with a more in-depth look at UNIX tools and system configuration, with focus on network service installation, as well as computer and network security. Students will be provided with knowledge and tools necessary to administer UNIX systems in a heterogeneous Internet environment.

Prerequisites: IT 119 (previously IT 120LT) and IT 237 (previously IT 230LT).

IT 240: Help Desk II. (3)

A continuation of Help Desk I. In this course, students assist Help Desk I students in providing assistance to users over the dedicated Help Desk Service Phone. Students are required to update the Help Desk manual.

Prerequisite: IT 141 and (CS 151L or CS 170)

IT 241: Web Design: Introduction to XML. (3)

Hands-on course in designing and developing dynamic World Wide Web sites using XML (Extensible Markup Language). Students will learn how to use XML, which enables designers to represent the content - or semantic characteristics - of information on Web pages, in conjunction with HTML, which enables designers to represent the appearance - or formatting characteristics - of information on Web pages. They will learn how to use XML to create Web sites that enable information to be shared among servers, clients, and databases.

Prerequisites: IT 145 and CS 160 (or a semester of programming recommended).

IT 242: Web Design: Introduction to Forms. (3)

Hands-on course in designing and developing interactive World Wide Web sites that include forms and allows users to perform transactions. Students will learn how to create forms using HTML, how to write scripts for forms using JavaScripts, and how to write CGI (Common Gateway Interface) scripts in Perl. These techniques will enable students to create transactional Web sites that allow users to enter information and enable Web servers to get, process, and return the information.

Prerequisite: IT 145

IT243: Introduction to PHP

A hands-on course in designing and developing dynamic Web pages using PHP, a free, open-source, multi-platform middle-ware. Covers basic programming concepts, Web programming considerations, and building a web interface using forms to access a database.

Prerequisite: IT 145

IT 244: Information Architectures for Complex WebSites. (3)

Course in information architectures for large-scale informational or transactional Web sites. Students will learn how Web architects organize information; design navigation systems, design labeling systems, design search systems, create Web site blueprints, and apply those blueprints to the development of Web sites. Students will create information architectures for their own Web sites.

Prerequisite: IT 145. Recommended IT 148 (previously IT 149)

IT245: Introduction to MySQL. (3)

This course provides a basic introduction to Structured Query Language (SQL) and relational databases, with an emphasis on accessing the database through a Web interface using middle-ware. MySQL is a free, open-source, multi-platform database.

Prerequisites: IT 145 and IT 243

IT 246: Web Design: Creating a Portfolio. (3)

Course in creating portfolios of Web designs. Students will design and develop examples of informational and/or transactional Web site, using HTML, CSS, JavaScript, DHTML, XML, Perl and/or other Web Technologies.

Prerequisites: IT 145 and IT 148 (previously IT 149) and IT 242.

IT 260: Network Security Practices. (3)

The primary goal of the course is a general introduction to “defense-in-depth” perimeter security on both Windows and LINUX/UNIX networks and an in-depth study of the step-by-step approach used in computer/network attacks.

Prerequisite: IT 119. (Previously IT 120LT)

IT 293*: Topics. (1-3)

Titles will vary.*

Introductory Studies

Introductory Studies courses do not count toward UNM-Los Alamos associate degrees or certificates.

IS- ENGLISH

A student who wishes to enroll in a course requiring a prerequisite must earn a grade of C (not C-) or better in the prerequisite course.

ENGL 099: Developmental English II (1-4)

An intensive study of fundamental writing skills, focusing upon paragraph development, fluency, and introducing the essay.

Note: At UNM-LA this course is offered for 4 credit hours with A, B, C, CR, NC grading, has a co-requisite of ISE 020, and includes a skills laboratory.

ISE 020: Reading I. (1)

Reading for accuracy and understanding in short expository passages. Vocabulary, sequence and discussion skills are emphasized.

ABC/NC or CR/NC.

ISE 021: Reading II. (1)

Reading for analysis in short expository/academic passages. Vocabulary, outlining, note-taking, distinguishing among fact, assertion, evidence, and implication are emphasized.

ABC/NC or CR/NC.

ENGL 100: Writing Standard English (1-4)

Developmental writing course providing concentrated practice writing and reviewing basic essays, as well as intensive study of grammar, punctuation, and usage.

Prerequisites: Successful completion of ENGL 099 minimum grade of C (previously 010) or minimum placement test score.

Note: At UNM-LA this course is offered for 4 credit hours with ABC/NC, CR/NC grading, has a co-requisite of ISE 021, and includes a skills laboratory.

IS- MATHEMATICS

A student who wishes to enroll in a course requiring a prerequisite must earn a grade of C (not C-) or better in the prerequisite course.

MATH 099: Pre-Algebra. (1-4)

A pre-college mathematics course. Emphasis is placed on basic operations, fractions, decimals, percents, ratios, and introductory algebra and includes a skills laboratory.

Grade options: ABC/NC or CR/NC

Note: At UNM-Los Alamos this course is offered for 4 credit hours

MATH 100 : Introduction to Algebra. (1–4)

Topics covered include linear equations, polynomials, factoring, formulas, graphing, and application problems and includes a skills laboratory. Grade option: A,B, C, CR/NC.

Prerequisites: Successful completion of MATH 099 (ABC/NC or CR/NC) or minimum placement test score.

Note: At UNM-Los Alamos this course is offered for 4 credit hours



Linguistics (LING)

LING 101: Introduction to the Study of Language. (3)

Broad overview of the nature of language: language structure, biology of language, language learning, language and thought, bilingualism, social and regional variation, and educational implications. Intended to fulfill breadth requirements in any college. *Meets New Mexico Lower Division General Education Core Curriculum Area IV: Social and Behavioral Science*

Also offered as ANTH 110. LING 101 and ANTH 110 may not both be counted for credit.

LING 295: Special Topics in Current Language Issues. (3 to maximum of 12)

Special topics motivated by expertise of instructor and interest of students. Topics such as language and gender, language and politics, animal communication, language and aging and languages of the world. May be repeated for credit as topic varies.

SIGN 201: Introduction to Signed Language. (3)

Overview of signed language studies and related issues. Introduction to American Sign Language (ASL); signed communication systems most frequently used by deaf and hard of hearing individuals, the study of fingerspelling.



Management (MGMT)

MGMT 101: Fundamentals of Accounting I. (3)

The development of the accounting cycle, special journals and financial statements.

Note: Completion of MGMT 101 and MGMT 102 is accepted by Anderson Schools of Management in lieu of MGMT 202.

Corequisite: MGMT 101L

MGMT 101L: Fundamentals of Accounting I Lab. (1)

To provide additional problem solving necessary for the students to master accounting basics.

Corequisite: MGMT 101.

MGMT 102: Fundamentals of Accounting II. (3)

Continuation of MGMT 101, including corporation and manufacturing accounting and decision making.

Note: Completion of MGMT 101 and MGMT 102 is accepted by Anderson Schools of Management in lieu of MGMT 202.

Prerequisite: MGMT 101

Corequisite: MGMT 102L

MGMT 102L: Fundamentals of Accounting II Lab. (1)

To provide additional problem solving necessary for students to master accounting basics.

Corequisite: MGMT 102

MGMT 113: Management: An Introduction. (3)

Modern concepts of organizations and their management in a dynamic world. An overview of managerial activities within business and other organizations.

MGMT 202: Principles of Financial Accounting. (3)

An examination of the conceptual framework of accounting and the functions of accounting in a business-oriented society. Topics include valuation theory and its applications to assets and liabilities, concepts of business income, funds-flow analysis, and problems of financial reporting.

Prerequisite: None

MGMT 222: Introduction to Marketing. (3)

A complete overview of the system for assessing customer needs, allocation of scarce resources to fulfill those needs, transmittal of market related information, completion of exchange processes, and profit maximization in free markets. Emphasis on interdisciplinary tools for management, decision-making and developing marketing strategies in domestic and international market applications.

(Credit not applicable toward BBA degree.)

MGMT 290: Introduction to Business Statistics (3)

An overview of the use of statistics in business, descriptive statistics and numerical characteristics of data, introduction to probability, statistical inference including t-tests and regression, confidence intervals; application to business problems will be emphasized.

Prerequisite: MATH 180.



Materials Science Technology (MST)

MST 101: Introduction to Materials Science Technology I. (4)

The course will introduce fundamental concepts in materials science and engineering, as applied to engineering disciplines. Students will learn about the structure of metals, ceramics, polymers, and composite materials and how engineering properties are derived from structure. Students will also learn how processing can be used to change the structure and therefore properties and uses of materials.

Prerequisites: high school diploma or GED; MATH 121 or higher; ENGL 101 or higher; CHEM 111L or higher.

MST 102: Introduction to Materials Science Technology II. (4)

The course will build upon the fundamental concepts in materials science and engineering, as applied to engineering disciplines, and as introduced in Introduction to Materials Science I. Students will learn about the structure of ceramics, polymers, and composite materials and how corrosion resistance and other properties are derived from structure. Students will also learn about materials selection and design considerations, and the economic, environmental, and societal issues in materials science and engineering.

Prerequisite: MST 101L

MST 104: Introduction to Microscopy and Microstructures. (3)

Microstructural characterization is the study of the interrelationship between structural characteristics and the physical and mechanical properties of metals, alloys and nonmetallic materials such as ceramics, polymers and composites. This course provides an overview of various techniques and their underlying principles. These include: optical microscopy; electron microscopy and related analytical techniques; X-ray, electron and neutron diffraction; and surface analysis. The students will also gain an understanding of the nature and origins of microstructural features, preparation techniques and differentiation between the true microstructure and preparation artifacts.

Prerequisites: MATH 123, MST 101, MST 102, or equivalent.

MST 109: Materials Processing and Manufacturing. (3)

Processing of materials plays a large role in determining their properties and performance. The objective of this course is to review processing and manufacturing techniques for metals, ceramics, polymers and composite materials. Topics to be covered include metal casting, processing of polymers and polymer matrix composites, powder processing of metals and ceramics, metal forming, machining and grinding, heat treatment of metals, joining processes, processing of integrated circuits, and electronics assembly and packaging.

Prerequisites: MST 102L

MST 110: Introduction to Mechanical Behavior of Materials. (3)

Origin of mechanical properties of metals and polymers and the concepts are used to explain how various methods are used to strengthen materials. Property measurement and data interpretation. This course is designed to introduce the student to the basic mechanical behavior of metals and polymers. The origin of mechanical properties in engineering materials is discussed from a fundamental viewpoint and the concepts are used to explain how various methods used to strengthen materials actually work. Properties such as tensile strength, ductility, elastic modulus, hardness, fatigue life, and toughness are covered in this seminar.

Prerequisite: MATH 123

MST 112: Introduction to Phase Transformations. (3)

Phase transformations strongly influence microstructural development. The objective of this course is to introduce students to important concepts associated with phase transformations. The course will review topics of thermodynamics and kinetics of phase transformations as well as diffusion and nucleation and growth. The course will also introduce the topics of precipitation, martensitic transformations and ordering reactions.

Prerequisite: MST 102. *Corequisite:* MST 104.

MST 296: Materials Science Technology Cooperative Work Phase. (1)

A work-study program with local industry to give the student practical experience in an industrial environment.

Prerequisite: Third or fourth semester standing and permission of the Applied Technologies Curriculum Coordinator.
CR/NC

Mathematics (MATH) and Statistics (STAT)

Note: A student who wishes to enroll in a course requiring a prerequisite must earn a grade of C (not C-) or better in the prerequisite course.

*Courses marked with an * may be repeated for credit because the subject matter varies.*

Restrictions

1. Credit not allowed for both MATH 162 and MATH 180.
2. Credit not allowed for both MATH 163 and MATH 181.
3. Students who have credit for any courses numbered MATH 121 and above may not take MATH 100, or MATH 120 for credit.
4. Students who have credit for any courses numbered MATH 162 and above may not take MATH 120, 121, 123, or 150 for credit. (Students with MATH 180/181 may take MATH 123 for credit.)
5. A student normally may not take an examination to validate credit in mathematics courses.
6. Mathematics or Statistics course work dating back more than five years cannot automatically be counted as fulfillment of a prerequisite. Students with older course work who feel they have retained subject knowledge are encouraged to take the COMPASS placement tests offered through Student Services.

MATH 099: Pre-Algebra. (1–4)

A pre-college mathematics course. Emphasis is placed on basic operations, fractions, decimals, percents, ratios, and introductory algebra and includes a skills laboratory.

Grade options: ABC/NC or CR/NC

Note: At UNM-Los Alamos this course is offered for 4 credit hours

MATH 100 : Introduction to Algebra. (1–4)

Topics covered include linear equations, polynomials, factoring, formulas, graphing, and application problems and includes a skills laboratory. Grade option: ABC/NC or CR/NC

Prerequisites: Successful completion of MATH 099 (A,B,C, CR) or minimum placement test score.

Note: At UNM-Los Alamos, this course is offered for 4 credit hours.

MATH 106: Problems in Intermediate Algebra.

(1)

Study session for MATH 120 with an emphasis on problem solving.

Offered on a CR/NC basis only.

MATH 107: Problems in College Algebra. (1)

Study session for MATH 121 with an emphasis on problem solving.

Corequisite: MATH 121.

Offered on a CR/NC basis only.

MATH 109: Graphing Calculator Workshop.

(1)

Explores calculator skills needed for algebra, trigonometry, pre-calculus, calculus, and/or science courses. Topics include logic, calculations, scientific notation, tables, scatter plots and regression equations, programs, polar graphing, matrices, use of instruction manual.

Offered on a CR/NC basis only.

MATH 110: Problems in Elements of Calculus

(1)

Study session for MATH 180 with an emphasis on problem solving.

Offered on a CR/NC basis only.

MATH 111: Mathematics for Elementary and Middle School Teachers I. (3)

The intuitive and logical background of arithmetic; properties of sets; algorithms of arithmetic in base ten and other bases; properties of the integers, mathematical terminology; elements of number theory; problem solving.

Prerequisite: ACT ≥ 19 or SAT ≥ 450 or MATH 100 or Compass Pre-Algebra > 56 or Algebra > 33 .

MATH 112: Mathematics for Elementary and Middle School Teachers II. (3)

The properties of the rational number system; extension to the irrationals; decimal and fractional representation of real numbers; geometry.

Prerequisite: C (not C-) or better in MATH 111.

MATH 118: Algebra. (4)

This course covers approximately the first half of MATH 120. Topics covered include properties of real numbers, linear equations and inequalities; properties of exponents; solving systems of linear equations and polynomials.

Students must pass MATH 118 before continuing to the second half of the course.

Prerequisite: Adequate score on placement test or MATH 099.

MATH 120: Intermediate Algebra. (3)

Preparation for MATH 121, 129, and STAT 145. Covers linear equations and inequalities, polynomials, factoring, exponents, radicals, fractional expressions and equations, quadratic equations, perimeters and areas of simple geometric shapes, and logarithms. Emphasis on problem solving skills. Acceptable as credit toward graduation, but not acceptable to satisfy UNM core or group requirements

Prerequisites: ACT ≥ 19 or SAT ≥ 450 or C (not C-) or better in MATH 100 or COMPASS Pre-Algebra >56 or Algebra >33 .

Corequisite: MATH 106 (UNM-LA Only)

MATH 121: College Algebra. (3)

Preparation for MATH 150 and 180. The study of equations, functions and graphs, especially linear and quadratic functions. Introduction to polynomial, rational, exponential and logarithmic functions. Applications involving simple geometric objects. Emphasizes algebraic problem solving skills. *Meets New Mexico Lower Division General Education Common Core Curriculum Area II: Mathematics (NMCCN 1113).*

Prerequisite: ACT ≥ 22 or SAT ≥ 510 or MATH 120 or COMPASS Algebra >54 or College Algebra >33 .

Corequisite: MATH 107 (UNM-LA Only)

MATH 123: Trigonometry. (3)

Definition of the trigonometric functions, radian and degree measure, graphs, basic trigonometric identities, inverse trigonometric functions, complex numbers, polar coordinates and graphs, vectors in 2 dimensions. May be taken concurrently with MATH 150.

Meets New Mexico Lower Division General Education Common Core Curriculum Area II: Mathematics (NMCCN 1113).

Prerequisite: ACT ≥ 25 or SAT ≥ 570 or MATH 121 or COMPASS College Algebra >54 .

MATH 129: A Survey of Mathematics. (3)

An introduction to some of the great ideas of mathematics, including logic, systems of numbers, sequences and series, geometry and probability. Emphasizes general problem-solving skills. *Meets New Mexico Lower Division General Education Common Core Curriculum Area II: Mathematics.*

Prerequisite: ACT ≥ 22 or SAT ≥ 510 or MATH 120 or 121 or 123 or 150 or 162 or 180 or 181 or 264.

MATH 150: Pre-Calculus Mathematics. (3)

In-depth study of polynomial, rational, exponential and logarithmic functions and their graphs. Includes the fundamental theorem of algebra, systems of equations, conic sections, parametric equations and applications in geometry. Exploration of the graphing calculator. May be taken concurrently with MATH 123. *Meets New Mexico Lower Division General Education Common Core Curriculum Area II: Mathematics.*

Prerequisite: ACT ≥ 25 or SAT ≥ 570 or MATH 121 or COMPASS College Algebra > 54 .

MATH 162: Calculus I. (4)

Derivative as a rate of change, intuitive, numerical, and theoretical concepts, applications to graphing, linearization and optimization. Integral as a sum, relation between integral and derivative, and applications of definite integral. *Meets New Mexico Lower Division General Education Common Core Curriculum Area II: Mathematics (NMCCN 1614).*

Prerequisite: (ACT =28-31 or SAT = 640-700 or MATH 150 or COMPASS College Algebra >66) and (MATH 123 or COMPASS Trig > 59) or (ACT ≥ 32 or SAT ≥ 720)

MATH 163: Calculus II. (4)

Transcendental functions, techniques of integration, numerical integration, improper integrals, sequences and series with applications, complex variables and parameterization of curves.

Prerequisite: MATH 162.

MATH 180: Elements of Calculus I. (3)

Limits of functions and continuity, intuitive concepts and basic properties; derivative as a rate of change, basic differentiation techniques; application of differential calculus to graphing and minima-maxima problems; exponential and logarithmic functions with applications. *Meets New Mexico Lower Division General Education Common Core Curriculum Area II: Mathematics (NMCCN 1613).*

Prerequisite: ACT ≥ 26 or SAT ≥ 600 or MATH 121 or MATH 150 or COMPASS College Algebra > 66 .

Corequisite: MATH 110 (UNM-LA Only)

MATH 181: Elements of Calculus II. (3)

Includes the definite integral, multivariate calculus, simple differential equations, basic review of trigonometry and its relation to calculus.

Prerequisites: MATH 180.

MATH 192*: Topics. (1-3)

Titles will vary.
CR/NC.

MATH 215: Mathematics for Elementary and Middle School Teachers III. (3)

Topics from probability and statistics, coordinate geometry and measurement, and algebra; some applications of mathematics; elements of logic; enrichment topics for the classroom.

Prerequisite: MATH 112.

MATH 264: Calculus III. (4)

Vector operations, vector representation of planes and curves, functions of several variables, partial derivatives, gradient, tangent planes, optimization, multiple integrals in Cartesian cylindrical and spherical coordinates, vector fields, line integrals and Green's theorem.

Prerequisite: A grade of C (not C-) or better in 163.

MATH 292*: Topics. (1-3)

Titles will vary.
CR/NC

MATH 293*: Topics. (1-3)

Titles will vary.

STAT 145: Introduction to Statistics. (3)

Techniques for the visual presentation of numerical data, descriptive statistics, introduction to probability and basic probability models used in statistics, introduction to sampling and statistical inference, illustrated by examples from a variety of fields. *Meets New Mexico Lower Division General Education Common Core Area II: Mathematics.*

Prerequisite: ACT ≥ 22 or SAT ≥ 510 or MATH 120 or 121 or 123 or 150 or 162 or 163 or 180 or 181 or 264.

Mechanical Technology (MCHT)

MCHT 101: Basic Welding. (4)

This course focuses on the fundamental techniques employed in the welding field. It is a laboratory approach to understanding and building skills in welding related areas including shop safety, hand and portable power tool usage, and welding—including gas welding, brazing and cutting (oxy-acetylene), stick (SMAW), MIG (GMAW), TIG (GTAW), and plasma arc cutting (PAC). Students may opt to specialize in one or more of the areas after required exercises in all areas are satisfied.

MCHT 120: GTAW Welding. (3)

Focuses on the advanced techniques employed in the Gas Tungsten Arc Welding (GTAW) field. Provides hands on welding practice and knowledge with the GTAW process in various Positions and Joint Configurations. Students may opt to specialize in one or more of the areas after learning all. Course prepares student to take the GTAW welding tests outside of UNM-Los Alamos.

Prerequisite: MCHT 101

MCHT 192*: Topics (1-3)

Titles will vary.
CR/NC

MCHT 193*: Topics (1-3)

Titles will vary.

Media Arts (MA)

MA 110: Introduction to Mass Communication. (3)

The study of the development of the mass media with emphasis on television in the areas of programming, policy, regulations, economics and technology. Examination of the social, cultural, and political impact of the mass media on contemporary society.

Also offered as C J 110

Music (MUS)

**May be repeated for credit with permission of Fine Arts Curriculum Coordinator.*

MUS 102: Music Theory for the Non Major. (3)

Students will develop an awareness of basic elements of melody, rhythm, harmony, form and expression through involvement as singers, players, creators, movers, listeners, and readers of music. Designed for students with little or no musical training.

MUS 109: Group Voice I. (1) *

Open to beginners in voice except voice performance majors.

MUS 110: Group Voice II. (1) *

Music education students in the vocal track must continue to enroll in this course until a grade of C or better is obtained.
Prerequisite: MUS 109.

MUS 111: Group Piano I. (1, no limit) *

Beginning repertoire and sight-reading, basic scale and chord patterns in major keys. For the complete beginner. Not open to keyboard majors. Primarily for music majors and minors, but open to all students.

MUS 112: Group Piano II. (1, no limit) *

Late elementary repertoire, sight-reading moving out of the five-finger position, minor scale and chord patterns. Not open to keyboard majors. Primarily for music majors and minors, but open to all students.

Prerequisite: MUS 111.

MUS 113: Mexican Guitar. (1)

Group Instruction.

MUS 114: Mexican Guitar. (1)

Continuation of MUS 113.

MUS 116: Group Guitar I (2)

Students will learn to read music and play melodies, chords, and simple songs. Emphasis on classical curriculum, supplemented with instruction in other styles, including rock, blues, and jazz. Students must supply instrument (classical, nylon-string guitar).

MUS 117: Group Guitar II. (2)

For students who have completed 116 or have some basic guitar skills. Emphasis on classical curriculum, supplemented with instruction in other styles, including rock, blues, and jazz. Students must supply instrument (classical, nylon-string guitar).

MUS 139: Music Appreciation. (3)

Designed to expand the student's ability to listen actively to Western classical art music: a survey of the various genres including chamber music, symphonic, and vocal repertoire. Includes live guest performances. Attendance at several on campus concerts required. No musical background necessary. *Meets New Mexico Lower Division General Education Common Core Curriculum Area V: Humanities and Fine Arts.*

MUS 150: Music Theory I. (4)

Fundamentals, part-writing and harmonic analysis: introduction to diatonic theory.

Corequisite: MUS 150L.

MUS 150L: Music Theory I Aural Lab. (0)

Perception through sound of diatonic materials, with special emphasis on melodic, rhythmic and harmonic dictation and the singing of simple melodies, rhythms and intervals.

Corequisite: MUS 150.

MUS 172: Jazz History. (3)

A study of the evolution of jazz in the United States from its beginnings to the present. *Meets New Mexico Lower Division General Education Core Curriculum Area V: Humanities and Fine Arts.*

MUS 211*: Group Piano III. (1)

Intermediate repertoire, reading skill, chord and scale patterns. Not open to keyboard majors. Primarily for music majors and minors, but open to all students.

Prerequisites: MUS 112

MUS 212* : Group Piano IV. (1)

Later intermediate to early advanced repertoire and sight-reading. Review of scales and chords. Not open to keyboard majors. Primarily for music majors and minors, but open to all students who are music education majors must continue to enroll in this course until the piano proficiency examination is passed.

Prerequisites: MUS 211.

MUS 271: Music Today. (3)

A survey of how Western art music and popular music developed during the 20th century especially with regard to the effect that social and economic forces had upon the art. Attendance at several on-campus concerts is required; discussion and live performance by guest musicians is included. *Meets New Mexico Lower Division General Education Core Curriculum Area V: Humanities and Fine Arts.*

MUS 292*: Topics. (3)

Titles will vary.

CR/NC.

MUS 293*: Topics. (1-3)

Titles will vary.

Music Education (MUSE)

MUSE 298: Music for the Elementary Teacher. (3)

Will prepare elementary classroom teachers to teach music education in a self-contained classroom in traditional and open situations.

Native American Studies (NATV)

NATV 150: Introduction to Native American Studies. (3)

This course surveys the significance of Native American Studies through an inter-disciplinary approach to four major areas of academic concentrations; Arts and Literature, Education and Language, Cultural Studies and Environment, and Leadership and Self-determination.

NATV 247. Politics of Native American Art. (3)

Native American art and artists within political, social and cultural contexts are introduced through an examination of the history of representations of Native art.

NATV 252: The Native American Experience. (3)

Introductory survey of Native American history, culture, and contemporary issues. Students read literature by and about Native Americans covering a variety of topics including tribal sovereignty, federal policy, activism, economic development, education, and community life.

Also offered as AMST 252

Natural Science (NTSC)

NTSC 261L: Physical Science. (4)

For pre-service K-8 teachers only. A broad, interdisciplinary introduction to the science of geology, Chemistry, physics, and astronomy, with emphasis on the science processes, inquiry and the integration of technology. The course is activity-based, utilizing a problems-and-issues based approach; various teaching methods are modeled, and practiced by students; some field trips may be required.

NTSC 262L: Life Science. (4)

For pre-service K-8 teachers only. An activity-based study of science topics including botany, cell biology, genetics, microbiology, and zoology with emphasis on science processes, inquiry, and the integration of technology. Various teaching methods are modeled and practiced by students; some field trips may be required.

NTSC 263L: Environmental Science. (4)

For pre-service K-8 teachers only. An activity-based interdisciplinary study of major issues in environmental science with emphasis on science process, scientific investigations, and field-based activities and the integration of technology. Course topics include current issues on population, healthy ecosystems, and natural resources. Various teaching methods are modeled and practiced by students.

Nutrition (NUTR)

NUTR 120: Nutrition for Health. (3)

General concepts of nutrition applied to food choices that support health. Cultural, psychological and economic implications of food choices

NUTR 244: Human Nutrition. (3)

This course provides an overview of all the nutrients including function in the body and food sources. Dietary guidelines intended to promote long term health are stressed.

Prerequisites: BIOL 123 or BIOL 201 or CHEM 111L or CHEM 121 AND CHEM 123L.

Organizational Learning and Instructional Technologies (OLIT)

OLIT 293: Topics. (1-3)

Titles will vary.

Philosophy (PHIL)

PHIL 101: Introduction to Philosophical Problems. (3)

Philosophical issues and methodology illustrated through selected problems concerning values, knowledge, reality; and in social political, and religious philosophy. *Meets New Mexico Lower Division General Education Common Core Curriculum Area V: Humanities and Fine Arts.*

PHIL 102. Current Moral Problems. (3)

Ethical issues arising in contemporary society, e.g., sexual morality, preferential treatment, racism, punishment, war, world food distribution.

PHIL 111: Humanities I. (3)

Comparative introduction to the development of human civilizations emphasizing philosophic thought, religious practice, and artistic expression. *Meets New Mexico Lower Division General Education Common Core Curriculum Area V: Humanities and Fine Arts*

PHIL 156: Reasoning and Critical Thinking. (3)

The purpose of this course is to help students learn how to analyze, critique, and construct arguments in context, in other words, how to read and write argumentative essays. *Meets New Mexico Lower Division General Education Common Core Curriculum Area V: Humanities and Fine Arts*

PHIL 201: Greek Philosophy. (3)

An introductory survey of early and classical Greek philosophy. Figures: the Presocratics, Socrates, Plato, and Aristotle. Topics: beginnings of scientific thought; theories of the self; the concept of being; ethical relativism, happiness, theories of justice.

PHIL 202: Modern Philosophy (3)

An historical study from the Renaissance through Kant.

PHIL 204: Greek Civilization. (3)

An interdisciplinary introduction to the ancient world as the foundation of modern civilization. Lectures on classical art, history, literature, and philosophy.

Also offered as ARTH 204, CLST 204, HIST 204

PHIL 205: Roman Civilization. (3)

An interdisciplinary introduction to ancient Rome. Lectures on Roman literature, history, art, and philosophy.

Also offered as ARTH 205, CLST 205, HIST 205

PHIL 244: Introduction to Existentialism. (3)

An examination of the works of writers such as Kierkegaard, Nietzsche, Kafka and Sartre who emphasize such issues as death, decision, rebellion, and faith.

PHIL 245: Professional Ethics. (3)

Examination of social and ethical problems associated with the business, engineering, medical, and legal professions. *Meets New Mexico Lower Division General Education Common Core Curriculum Area V: Humanities and Fine Arts.*



Physical Education Non-professional (PENP)

*Courses marked with an * may be repeated for credit because the subject matter varies.*

PENP 101: Beginning Swimming. (1, no limit)

Instruction for students who have not been in the water or have a fear of water.

PENP 102: Intermediate Swimming. (1, no limit) *

Instruction in all basic strokes. For students who can swim.

PENP 114. [160.] Weight Training and Physical Conditioning(1, no limit)

Individual training programs for development of general strength, tone, endurance and weight control. Fitness Test Fee.

PENP 115. [163.] Intermediate Weight Training. (1, no limit) *

Instruction in advanced weight-lifting principles and techniques as well as fitness related topics. Fitness Test Fee.

PENP 124: Ballroom Dance. (1, no limit) *

Instruction in the basic movements of social dances such as fox trot, waltz, lindy, rhumba, tango and cha-cha.

PENP 128: Beginning Country Western Dance. (1, no limit)

Instruction in the basic movements of the Waltz, Two-Step, Swing, and Polka.

PENP 130.–131. Tai Chi Ch'uan. (1, no limit) *

Instruction and practice in techniques to enhance body awareness, reduces stress, improve balance and increase strength.

PENP 132. Beginning Tae Dwan Do. (1, no limit) *

Instruction in the basic skills, blocks, strikes and kicks of Tae Kwan Do.

PENP 133. Intermediate Tae Kwan Do. (1, no limit) *

Advanced instruction in the basic skills, blocks, strikes and kicks of Tae Kwan Do.

PENP 134: Beginning Kun Fu. (1, no limit)

Instruction in basic skills, blocks, strikes and kicks of Kung Fu.

PENP 136. Personal Defense. (1, no limit) *

Instruction in the basic skills needed to defend oneself against assault.

PENP 138.-139. Karate. (1, no limit)

Instruction in the basic skills, blocks, strikes, and kicks of Japanese karate.

PENP 143: Beginning Tennis. (1, no limit)*

Instruction in the basic skills and rules of tennis.

PENP 144: Intermediate Tennis. (1, no limit)*

Instruction dependent upon experience and skills of students in basic fundamentals. Perfection of strokes.

PENP 152: Racquetball. (1, no limit)*

Instruction and practice in the skills and rules of racquetball.

PENP 155.–156. Pilates. (1, no limit) *

Instruction in movements that increase balance, core fitness and cardiorespiratory endurance.

PENP 158: Aerobic Dance I. (1, no limit)

Instruction in continuous movement using basic dance steps for improved cardiorespiratory endurance.

PENP 165: Yoga. (1, no limit)*

Introduction to the five areas of yoga which are particularly significant to the Western World.

PENP 166: Intermediate Yoga. (1, no limit)*

Instruction in more advanced techniques of Yoga emphasizing the physical aspects of Hatha Yoga.

PENP 167: Basketball. (1, no limit)*

Instruction and practice of basic skills.

PENP 177–178: Fundamentals of Stretching and Relaxation Techniques. (1, no limit) *

Instruction and practice of various techniques to enhance flexibility and reduce stress.

PENP 193*: Topics. (1-3)

Titles will vary.



Physics (PHYC)

Listed in the UNM-Albuquerque catalog as the Department of Physics and Astronomy. See also "Astronomy."

PHYC 102: Introduction to Physics. (3)

Designed to introduce non-science majors to basic concepts, laws and skills in physics, in various applications to ordinary life. Energy, momentum, force, wave phenomena, electric charge and photons are discussed, also basic properties of gravitational, electromagnetic and nuclear forces. Selections from relativity, quantum theory, atoms and molecules will be included. See PHYC 102L for an optional laboratory. *Meets New Mexico Lower Division General Education Common Core Curriculum Area III: Science.*

PHYC 102L: Physics Laboratory. (1)

Students involve themselves in experiments and projects showing basic concepts related to the atom, the environment and the universe. *Meets New Mexico Lower Division General Education Common Core Curriculum Area III: Science.*

Pre- or corequisite: PHYC 102. Two hours lab.

PHYC 105: Physics and Society. (3)

Designed to introduce non-science majors to basic concepts, laws and skills in classical and quantum physics as a basis to discuss the interrelationships of society and physics. Examples where energy, momentum, special relativity, thermal physics, quantum and nuclear physics have important roles are discussed; these could include meteorology, aviation weather, fission and fusion reactors, science policy and ethics, alternative energy sources.

PHYC 110: Introduction to Applied Physics (3)

Preparatory course to review skills needed for PHYC 151/160. Reviews math skills (vectors, trigonometry, word problems, solving equations, etc.) through applications of physics principles to examples such as cell phones, musical instruments, CD players, driving, tools, projectiles, athletics, and electrical circuits.

Prerequisite: MATH 121 or SAT \geq 570 or ACT \geq 25.

PHYC 151: General Physics. (3)

Mechanics, sound, heat, fluid, waves.. The sequence (151, 151L, 152, 152L) is required of pre-medical, pre-dental, and pre-optometry students. Only 151 and 152 are required of pharmacy students. *Meets New Mexico Lower Division General Education Common Core Curriculum Area III: Science (NMCCN 1114).*

Prerequisites: MATH 150 or MATH 180 or ACT $>$ 27, SAT $>$ 630.

PHYC 151L: General Physics Laboratory. (1)

Mechanics, sound, heat. *Meets New Mexico Lower Division General Education Common Core Curriculum Area III: Science (NMCCN 1114).*

Pre- or corequisite: PHYC 151. Three hours lab.

PHYC 152: General Physics. (3)

Electricity, magnetism, optics. *Meets New Mexico Lower Division General Education Common Core Curriculum Area III: Science (NMCCN 1124).*

Prerequisite: PHYC 151.

PHYC 152L: General Physics Laboratory. (1)

Electricity, magnetism, optics. *Meets New Mexico Lower Division General Education Common Core Curriculum Area III: Science (NMCCN 1124).*

Pre- or corequisite: PHYC 152. Three hrs. lab.

PHYC 157: Problems in General Physics. (1)

Problem solving and demonstrations related to PHYC 151. *Corequisite: PHYC 151.*

Offered on a CR/NC basis only.

PHYC 158: Problems in General Physics. (1)

Problem solving and demonstrations related to PHYC 152. *Corequisite: PHYC 152.*

Offered on a CR/NC basis only..

PHYC 160: General Physics. (3)

Mechanics, sound. *Meets New Mexico Lower Division General Education Common Core Curriculum Area III: Science (NMCCN 1214).*

Pre- or corequisite: MATH 162.

PHYC 160L: General Physics Laboratory. (1)

Mechanics, sound. *Meets New Mexico Lower Division General Education Common Core Curriculum Area III: Science (NMCCN 1214).*

Prerequisite: Pre- or corequisite: PHYC 160. Three hrs. lab.

PHYC 161: General Physics. (3)

Heat, electricity, magnetism. *Meets New Mexico Lower Division General Education Common Core Curriculum Area III: Science (NMCCN 1224)*

Prerequisite: PHYC 160; Pre- or corequisite: MATH 163.

PHYC 161L: General Physics Laboratory. (1)

Electricity and magnetism. *Meets New Mexico Lower Division General Education Common Core Curriculum Area III: Science (NMCCN 1224)*

Pre- or corequisite: PHYC 161. Three hrs. lab.

PHYC 167: Problems in General Physics. (1)

Problem solving and demonstrations related to PHYC 160.

Corequisite: PHYC 160.

Offered on a CR/NC basis only

PHYC 168: Problems in General Physics. (1)

Problem solving and demonstrations related to 161.

Corequisite: PHYC 161.

Offered on a CR/NC basis only.

PHYC 262: General Physics. (3)

Optics, modern physics.

Prerequisite: PHYC 161; Pre- or corequisite: MATH 264.

PHYC 262L: General Physics Laboratory. (1)

Optics, modern physics.

Pre- or corequisite: PHYC 262. Three hrs. lab.

PHYC 267: Problems in General Physics. (1)

Problem solving and demonstrations related to PHYC 262.

Corequisite: PHYC 262.

Offered on a CR/NC basis only.



Political Science (POLS)

POLS 110: The Political World. (3)

An introduction to politics, with emphasis on the ways people can understand their own political systems and those of others. *Meets New Mexico Lower Division General Education Common Core Curriculum Area IV: Social/Behavioral Sciences.*

Students who have already had courses in political science may not count POLS 110 toward a major.

POLS 200: American Politics. (3)

Survey of American politics, including political behavior of the American electorate, the theory of democracy, the structure and function of American political institutions, and contemporary issues. *Meets New Mexico Lower Division General Education Common Core Curriculum Area IV: Social/Behavioral Sciences.*

POLS 220: Comparative Politics. (3)

Designed to give students the ability to understand and evaluate political regimes by focusing on the political history, socio-economic structure, and contemporary political institutions and behavior. Includes consideration of European, and developing systems.

POLS 240: International Politics. (3)

Analyzes significant factors in world politics, including nationalism, "national interest," ideology, international conflict and collaboration, balance of power, deterrence, international law, and international organization.



Psychology (PSY)

PSY 105: General Psychology. (3)

Overview of the major content areas in psychology. Topics to be covered include learning, cognition, perception, motivation, biological systems, social and abnormal psychology, development, personality, and approaches to psychotherapy. *Meets New Mexico Lower Division General Education Common Core Curriculum Area IV: Social/Behavioral Sciences.*

PSY 200: Statistical Principles. (3)

Presentation of the basic principles of the description and interpretation of data. Provides an acquaintance with statistical principles appropriate to a liberal arts education, as well as a basis for further work in data analysis. Students planning graduate study in any field are advised to take 300 and 302 as well.

Prerequisite: PSY 105.

PSY 220: Developmental Psychology. (3)

Overview of the physical, perceptual, motor, cognitive, emotional and social development of children from infancy through adolescence.

Prerequisite: PSY 105.

PSY 231: Psychology of Human Sexuality. (3)

Exploration of the physiological, cultural, social and individual factors that influence sexual behavior sex roles, and sex identity.

Also offered as Wm St 231.

Prerequisite: PSY 105 or BIOL 110, or BIOL 123.

PSY 240: Brain and Behavior. (3)

A general survey of the biological foundations of behavior. Emphasis is on the central nervous system.

Prerequisite: PSY 105 or BIOL 110 or BIOL 123

PSY 250: Special Topics in Psychology. (1-3, no limit) *

Study of any psychological topic not otherwise included in the curriculum upon expression of mutual interest by students and faculty. May be repeated for credit provided the subject matter varies.

PSY 260: Psychology of Learning and Memory. (3)

Survey of the variety of laboratory learning situations, with an emphasis on the application of principles to practical situations. Topics range from simple processes such as conditioning to complex processes such as transfer, memory, and concept formation.

Prerequisite: PSY 105.

PSY 265: Cognitive Psychology. (3)

Study of the cognitive processes involved in the encoding, storage, retrieval and use of knowledge including attention, memory, comprehension, categorization, reasoning, problem solving and language.

Prerequisite: PSY 105.

PSY 271: Social Psychology. (3)

Study of social influence: perception of oneself and others, attitudes, conformity, attraction, altruism, aggression, groups.

Prerequisite: PSY 105.

Religious Studies (RELG)

RELG 103: Introduction to the Bible. (3)

Survey of the Bible in historical context.

RELG 107: Living World Religions. (3)

Introduction to major living world religions, such as Buddhism, Christianity, Hinduism, Islam, and Judaism.

RELG 247: Studies in Religions. (3)

Elementary topics in the study of world religions. Course may be repeated up to three times provided the topics vary.

RELG 263: Eastern Religions. (3)

A study of major Asian traditions, such as Taoism, Hinduism and Buddhism.

RELG 264: Western Religions. (3)

A study of major Western traditions, such as Christianity, Islam, and Judaism.

Russian (RUSS)

RUSS 101: Elementary Russian I. (3)

Elementary Russian for students with no previous exposure to the language. Development of all four-language skills: reading, speaking, writing and listening comprehension.

Can be taken in conjunction with RUSS 103.

RUSS 102: Elementary Russian II. (3)

Elementary Russian for students who have completed RUSS 101 or equivalent. Continued development of all four skills.

Can be taken in conjunction with RUSS 104.

RUSS 103-104: Beginnings: Speaking Russian. (1,1)

Practice in basic conversation and training in acquiring a good accent. The courses are supplemental to RUSS 101-102 and stress the patterns and forms introduced in the main courses.

RUSS 201-202: Intermediate Russian I–Intermediate Russian II. (3, 3)

Prerequisites: RUSS 101-102 or the equivalent.

Sociology (SOC)

SOC 101: Introduction to Sociology. (3)

Basic concepts, topics, and theories of contemporary sociology. Prerequisite for more advanced courses in sociology. *Meets New Mexico Lower Division General Education Common Core Curriculum Area IV: Social/Behavioral Sciences.*

SOC 205: Crime, Public Policy and the Criminal Justice System. (3)

The study of crime, the criminal justice system and crime-related public policy. Discussion of key criminological concepts, measurement of crime and delinquency, its distribution in society, victimization, public opinion, the criminal justice system, crime control strategies and policies.

Prerequisite: SOC 101.

SOC 211: Social Problems. (3)

Description and analysis of major social problems facing American society. Foci may include: poverty, homelessness, alcohol and drug problems, race and ethnic relations, aging and mental illness.

Prerequisite: SOC 101.

SOC 213: Deviance. (3)

Survey of major forms of norm-violating behavior in American society, such as drug and alcohol abuse, mental illness, criminal behavior, and sexual deviance. Discussion of sociological explanations of the causes of, and attempts to address, these behaviors.

Prerequisite: SOC 101.

SOC 216: The Dynamics of Prejudice. (3)

The study of prejudice and discrimination, including their historical and contemporary sources and prospects for their reduction, with applications to American institutions.

Prerequisite: SOC 101.

SOC 225: Marriage, Family and Their Alternatives. (3)

Comparative analysis of contemporary family and household forms such as dual-worker, single-parent and homosexual couple households. Focus on links between large-scale social changes and changing family composition and interaction patterns. *Meets New Mexico Lower Division General Education Common Core Curriculum Area IV: Social/Behavioral Sciences*

Prerequisite: SOC 101.

SOC 230: Society and Personality. (3)

The social psychology of personalities, relationships, small groups, and organizations.

Prerequisite: SOC 101.

SOC 280. Introduction to Research Methods. (3)

A survey of the major methods of social research: foundations of social research, research design, sampling and measurement, quantitative and qualitative research methods and data analysis.

Prerequisite: SOC 101.

Spanish (SPAN) and Portuguese

*Courses marked with an * may be repeated for credit because the subject matter varies.*

SPAN 101: Elementary Spanish I. (3)

Beginning Spanish for students with no previous exposure to Spanish. Development of all four language skills, with emphasis on listening and speaking.

SPAN 102: Elementary Spanish II. (3)

Beginning Spanish for students who have completed Span 101 or equivalent. Continued development of four skills with emphasis on listening and speaking.

SPAN 103-104: Elementary Spanish Conversation I–Elementary Spanish Conversation II. (1, 1)

Supplementary courses to SPAN 101-102 for students interested in additional practice in speaking.

CR/NC.

Pre or corequisite: SPAN 101 or 102

SPAN 201: Intermediate Spanish I. (3)

Intermediate Spanish for students who have completed 102 or equivalent. Review of grammar and further development of all four skills.

SPAN 202: Intermediate Spanish II. (3)

Intermediate Spanish for students who have completed SPAN 201 or equivalent. Continued development of all four skills with emphasis on reading.

SPAN 203: Spanish Conversation. (3)

For students who have completed or are currently enrolled in SPAN 201, SPAN 202, or SPAN 276. Small classes designed to increase skills in speaking Spanish. Not for native speakers.

Pre or corequisite: SPAN 201 or 202.

SPAN 275: Accelerated Beginning Spanish. (6)

Intensive one semester course designed for language enthusiasts who want a review or can devote the time required to cover two semesters in one. Equivalent to 101 and 102.

SPAN 293*: Topics. (1-3)

Titles will vary.

Statistics (STAT)

STAT 145: Introduction to Statistics. (3)

Techniques for the visual presentation of numerical data, descriptive statistics, introduction to probability and basic probability models used in statistics, introduction to sampling and statistical inference, illustrated by examples from a variety of fields. *Meets New Mexico Lower Division General Education Common Core Area II: Mathematics.*

Prerequisite: ACT ≥ 22 or SAT ≥ 510 or MATH 120.



Theatre (THEA) and Dance (DANC)

*Courses marked with an * may be repeated for credit because subject matters varies.*

DANC 105*: Dance Appreciation. (3 to a maximum of 6).

A lecture and discussion course introducing the study of dance as technique, spectacle, and ritual for today's audience. *Meets New Mexico Lower Division General Education Common Core Curriculum Area V: Humanities and Fine Arts.*

DANC 132*: Jazz I (2 to a maximum of 6)

Fundamental work for the adult beginner in technique and styles of jazz dance.

DANC 149. Ballet I. (2 to a maximum of 6) *

Fundamental work for the adult beginner in vocabulary, technique and styles of ballet. Course fee required.

DANC 169*: Flamenco I (2 to a maximum of 6)

Fundamental work for the adult beginner in techniques and styles of Flamenco.

DANC 170. Hip Hop I. (3 to a maximum of 12) *

An introduction to Hip Hop, its movement, style and culture.

DANC 232: Jazz II (3 to maximum of 12)

Jazz techniques and styles at the intermediate level. Permission of instructor required. Course fee required.

DANC 249: Ballet II (3 to a maximum of 12)

Ballet techniques and styles at the lower intermediate level. Permission of instructor required. Course fee required.

DANC 269: Flamenco II. (3 to a maximum 12)

Flamenco techniques and styles at the intermediate level. Permission of instructor required. Course fee required.

THEA 120: Acting Foundations I. (3)

Beginning acting. The basic fundamentals of acting including analytical and physical skills of the actor, personal work habits, and taking responsibility for the actor's craft.

THEA 121: Acting Foundations II. (3)

Continuation of 120 with emphasis on textual material. *Prerequisite:* THEA 120.

THEA 122: Theatre Appreciation. (3)

For non-majors. Issues of performance, spectatorship and criticism vis-à-vis theatre and other forms of performance including (but not limited to) dance, ritual, sports, and the performance of everyday life. Attendance at various performances required.. *Meets New Mexico Lower Division General Education Common Core Curriculum Area V: Humanities and Fine Arts.*



University Honors (UHON)

UHON 121-122: Freshman University Honors Seminar. (3 to maximum of 9)

Surveys of major ideas basic to the intellectual, historical and artistic traditions of Western Culture.



Women Studies (WMST)

WMST 279: Interdisciplinary Topics. (1-3, repeatable to a maximum of times)

Can be repeated for credit three times by students earning a major or minor in Women Studies.

Woodworking (WW)

*Courses marked with an * may be repeated for credit because subject matters varies.*

WW 101: Basic Wood Working. (3)

This course introduces students to the wonderful world of wood and related materials, the use and misuse of hand and power tools, and shop safety procedures. The course also demonstrates professional construction techniques and the magic of joinery. This class is half lecture and half shop time, during which students create individual projects. Lab fee. (Does not include student materials.)

WW 110: Furniture Design and Construction. (3)

An introduction to creating furniture from conception to completed work. Course will include the history of furniture design, the drawing of furniture, various woods, joinery and construction techniques. Tools equipment and shop safety will be included. (Does not include student materials.)

WW 114: Spanish Colonial Carving. (3)

Instruction is traditional methods of carving using the designs, tools and techniques of Spanish Colonial wood working. (Does not include student materials.)

WW 120: Wood Working Shop. (3)

This advanced course is for students who have completed a basic wood working course and are prepared to work on individual projects. Student is required to design project. Course will include a refresher on safety, tools, equipment, design, and stock preparation prior to students beginning their project. (Does not include student materials.)

WW 193: Topics

Titles will vary.



UNM -LOS ALAMOS

Bachelor and Graduate Programs

Introduction

UNM has offered graduate-level courses in Los Alamos since 1947 and the Graduate and Upper Division Programs Office has been in operation since 1956. In 1999 UNM (Albuquerque Campus) Extended University assumed coordination of the University's distance education component, which includes the Center in Los Alamos. Its main functions are to offer upper division and graduate courses in selected technical areas to Los Alamos National Laboratory employees and to provide educational opportunities to residents of Los Alamos and surrounding communities. The most popular programs in recent years have been Computer Science, Mechanical, Chemical and Nuclear Engineering.

Bachelor's degree program courses are offered in Computer Science, Mathematics and Communication and Journalism, as well as University Studies. Master's degree courses are offered in Chemical and Nuclear Engineering (Radiation Protection and Hazardous Waste), Educational Leadership, Public Administration, Computer Science, and other Engineering degrees (see complete listing on next page). Upper division, undergraduate courses are also available in areas that support the master's and bachelor's programs (see complete listing on next page).

The mission of UNM-LA Bachelor and Graduate Programs through Extended University is to create enriching educational experiences for northern New Mexico students. This mission is accomplished through the delivery of instruction in traditional face-to-face teaching, as well as through a variety of technologies including, video conferencing, correspondence and the Internet. Courses offered through the center broaden the choices for students beyond the limitations of a physical location. Students enrolled in 200- level courses at UNM-Los Alamos are encouraged to consider the 300-level courses offered by UNM-LA Bachelor and Graduate Programs through Extended University

Course Cancellations

Budgetary limitations, enrollment figures, or availability of instructors may require courses to be cancelled. Decisions regarding the cancellation of instructional television courses are usually made at the close of the regular registration period. Because the major determining factor for cancellations is enrollment, it is most important that students register early during the scheduled registration period.

Procedures for Changes in Student Programs

Program changes, i.e., drops, adds, section changes, and

withdrawals, must be initiated by the student through the LoboPhone or LoboWeb, or in person at UNM-LA. Please note that no adds, drops, section changes, or withdrawals may be made after the particular designated dates, which are as follows:

Last day for adds..... end of second week of classes
Last day for changes in section..... end of second week of classes
Last day for drops without a grade.....end of sixth week of classes
Last day for withdrawal from a course without approval (WP/WF assigned)..... end of twelfth week of classes
Last day for withdrawal from a course with Dean's or Program Manager's approval (WP/WF assigned) end of sixteenth week of classes
Call 662-0335 for Summer Session and partial term course, add, drop, section change or withdrawal dates

Withdrawal Policy

Students who wish to withdraw must complete the appropriate procedures through the LoboPhone or LoboWeb or in person at UNM-LA. Students leaving the university during a semester/session without withdrawing according to UNM regulations will receive a grade of "F" for each course, even though they were passing their courses up to this point. Withdrawals initiated after the sixth week will result in grades of withdrawal/pass (WP) or withdrawal/fail (WF). The grade of WF will be calculated as a failing grade in the student's grade point average. All withdrawal grades will be assigned by the instructor upon completion of the withdrawal process.

Tuition and Fees

For residents, upper division, undergraduate courses have a tuition charge of \$201.40 per credit hour and graduate courses, \$221.10 less are charged resident rates. Non-residents who enroll for more than six hours will be charged at a higher rate.

Tuition Refunds

Withdrawal during first, three weeks
(First week of Summer Session).....100%
Partial or complete withdrawal after the third week
(First week of Summer Session).....0%
Please see UNM Catalog for a complete list of Tuition Refund Deadlines.

Academic Information

Students are strongly urged to apply for admission to graduate or undergraduate student status by applying to specific departments or programs. Students are not considered graduate or undergraduate students in non-degree status. Students are responsible for complying with all rules and regulations as specified in the University of New Mexico Catalog and should have a copy of the most recent version. (They are available for sale at the UNM-Los Alamos Bookstore.)

Non-Degree Status

For students in non-degree status taking graduate level work:

1. A limited number of graduate credit hours earned in non-degree status may be used toward a graduate degree if the student is later admitted to graduate school, and has received a grade of "B" or better. However, the grades for the courses will not count in the student's graduate GPA. Contact specific departments for rules and limitations.
2. To obtain graduate credit for 300 or 400 level courses that carry graduate credit, students must meet certain requirements. See the Extended University-Los Alamos Center for details.

For course descriptions, see the most recent UNM Catalog.

Students are expected to have their own copy for reference. Special topics courses have unique course descriptions.

Advisement

General advisement is available at UNM-LA Bachelor and Graduate Programs through Extended University Office. Specific program and academic advisement is the province of UNM Departments; students pursuing degrees from UNM should also contact the appropriate departmental advisor at main campus. A list of current graduate advisors is available in the UNM-LA Bachelor and Graduate Programs through Extended University Office.

A Bachelor of University Studies advisor from UNM-LA Bachelor and Graduate Programs through Extended University program is in Los Alamos twice a week. Call (505) 662-0335 to schedule an appointment.

Visit the UNM-LA Bachelor and Graduate Programs through Extended University Website at <http://distance.unm.edu> or UNM-LA Bachelor and Graduate Programs through Extended University Office for more information and course schedules.

Graduate and Upper Division Programs

Courses toward a Bachelor Degrees are available in:

- Business Administration
- Communication & Journalism
- Computer Science
- Mathematics
- University Studies

Courses toward a Master Degrees are available in:

- Computer Science
- Chemical and Nuclear Engineering
- Educational Leadership
- Electrical and Computer Engineering
- Mechanical Engineering
- Public Administration

Upper Division Courses are also available in:

- Anthropology
- Chemistry
- English
- Language, Literary and Sociocultural Studies
- Organizational Learning and Instructional Technology
- Philosophy
- Political Science
- Psychology
- Sociology
- Women's Studies

UNM-Los Alamos Governing Bodies, Staff and Core Faculty

The University of New Mexico

Board of Regents

Carolyn J. Abeita
Don L. Chalmers
Dahlia Darman
John M. "Mel" Eaves
Jack L. Fortner
James H. Koch
Raymond G. Sanchez

Administration

David J. Schmidly, Ph.D.
President
Carmen Alvarez-Brown, Ph.D.
Vice President, Enrollment Management
Josephine DeLeon, Ph.D.
Interim Vice, President Equity and Inclusion
Jeronimo Dominguez, Ph.D.
Vice Provost Extended University
Julia E. Fulgam, Ph.D.
Vice President, Research
David W. Harris, B.B.A.
Executive Vice President, for Administration
Michael Kingan, M.P.A.
Interim Vice President, Institutional Advancement
Barney MacCabe, Ph.D.
Chief Information Officer
Marc A. Nigliazzo, Ph.D.
Vice President, Rio Rancho Operations and Branch Academic Affairs
Paul Roth, M.D.
Executive Vice President, Health Sciences
Carolyn J.C. Thompson, M.E.D.
Interim Vice President, Human Resources
Eliseo Torres, Ed.D.
Vice President, Student Affairs
Susan Trayer-Ortega, Ph.D.
Provost & Executive Vice President for Academic Affairs

The University of New Mexico-Los Alamos

Advisory Board

Michael Wismer
Chairperson
Marie T. Chiravalle
Secretary
Linda Daly,
Member
Ronald Dolin, Ph.D.
Member
Nelson Hoffman, Ph.D.
Member

Administrative Staff

Executive Director

Cedric Page
Ph.D., Rutgers University

Director of Instruction

Kate Massengale
Ph. D., Rice University

Director of Business Operations

Lisa Clough
M. Ed. Educational Leadership
Northern Arizona University

Associate Director for Student Services

Patricia Boyer
Ed. D., University of New Mexico

Other Staff Members

Director's Office

Executive Assistant
Kathy Casados
BA, The University of New Mexico

Computer Facilities

Manager
Anthony Valdez
AAS, The University of New Mexico
Computer Hardware Technician
Gilbert Gallegos
BA, Colorado State University

Communications and Marketing Services

Senior Representative
Bonnie Gordon
BA, Reed College
Public Affairs Assistant
Steven D. Garza
MA, Texas Tech University

Instruction

Administrative Assistant III
Position Vacant

Adult Learning Services

Director
Position Vacant

Administrative Assistant
Position Vacant

Community Education

Program Coordinator
Eileen Gallegos
AAS, Northern New Mexico Community College

Library

Director
Dennis Davies-Wilson
MLS, Indiana University
Library Information Specialist III
Richard Norton
BS, University of California - Santa Barbara
Library Information Specialist II
Beverly Hollander
MA, California State University

Tutorial Center

Coordinators
Wanda Carothers
BS, Mississippi University for Women
Karen Meier
BA, University of Missouri–St. Louis

Student Services

Advising/Recruitment
Jacquelyn M. La New
MS, University of Michigan
Supervisor, Financial Aid
Yohanna Wiuff
BBA, The University of New Mexico
Branch/Division Registrar
Kathryn Vigil
New Mexico State University
Branch/Division Enrollment Representative
Irene Martinez
AAS, Northern New Mexico Community College

Administrative Services

Personnel Coordinator/Housing Coordinator
Betsy Allander
Bookstore Manager
Steve Ciddio
BA, The College of Santa Fe

Business & Finance

Manager, Business Services
Lydia Armijo
BS, College of Santa Fe
Fiscal Services Tech
Gayle Burns
AA, University of New Mexico
Oliva Lopez
AA, University of New Mexico
Food Services
Juan Dominguez

Physical Plant

Manager
Eugene Ortiz
General Services Technicians
David Elliott
Manuel Lopez
David Suazo
Annabelle Martinez
Howard Naranjo
Jose Torres

**Bachelor and Graduate Programs
through Extended University**

Operations Manager
Cindy Leyba
BAFA, University of New Mexico
Enrollment Services Manager
Carmen Lujant
Instructional Assistant
Ann Brandenberger
JD, Saint Marys University
Gayle Burns
AA, University of New Mexico

Division Heads**Mathematics, Natural & Applied Sciences, Engineering,
Fine Arts, and Communications**

Kay Willerton
MSE, Midwestern State University

**Computer Science, Business, Information Technology, and
General Studies**

Lee Bollschweiler
MS, University of New Mexico

Curriculum Coordinators

Applied Sciences

Irina Alvestad
Ph.D., University of New Mexico

Business

Cynthia J. Rooney
Ph.D., University of Tennessee

Communications

Graciela Cainelli
MA, University of South Carolina

Computer Science

Lynne Williams
Ph.D., Capella University

General Studies and Developmental Education

Carol Furchner,
Ph.D., University of Colorado

Information Technology

Tom Beach
Ph.D., Iowa State University

Fine & Performing Arts

Patrick Harris
MFA, University of Wisconsin

Mathematics

Kay Willerton
MSE, Midwestern University

Science

Oksana Gerlitz
Ph.D., University of Buffalo

Core Faculty

Irina Alvestad, Ph.D., University of New Mexico
Tom Beach, Ph.D., Iowa State University
Ray Becich, MS, Columbia University
Lee Bollschweiler, MS, University of New Mexico
Graciela Cainelli, MA, University of South Carolina
Dennis Davies-Wilson, MLS, Indiana University
Leslie Dendy, Ph.D., Rice University
Carol Furchner, Ph.D., University of Colorado
Oksana Gerlitz, Ph.D., State Univ. of New York at Buffalo
Maryjane Giesler, MA, Michigan State University
Patrick Harris, MFA, University of Wisconsin
Michael McNaughton, Ph.D., University of London
Karen Meier, BA, University of Missouri
Greg Nunz, BA The Cooper Union
Cindy Rooney, Ph.D., University of Tennessee
Melanie Shirk, Ph.D., University of Kansas
Susan Schauer, Ph.D., University of Colorado
Kay Willerton, MSE, Midwestern State University
Lynne Williams, Ph.D., Capella University
Barbara Yarnell, MA, Fort Hays State College



Index

A

Academic Calendar Year 4
Academics 84
Academics, courses in 84
Accounting, Associate Degree 52
Accounting, Certificate 66
Accounting Employability Certificate 80
Accreditation 6
Administration, UNM 127
Administrative Staff 127
Admission 10
Adult Learning Center 9
Advisement 26
Advisory Board 127
Alternative Credit Options 14
American Studies, courses in 84
Anthropology, courses in 85
Art History, courses in 86
Arts and Sciences, courses in 88
Arts and Sciences Cooperative Education, course in 88
Art Studio, courses in 86
Associate Degrees 41
Astronomy, courses in 88
Attendance 33
Audit 30
Automotive Technology, courses in 88

B

Bachelor and Graduate Programs 125
Biology, courses in 88
Board of Regents 127
Bookstore 8
Business, Associate Degree 53
Business, Certificate 67
Business Technology, courses in 89

C

Calendar 4
Career/Technical Pathways 82
Certificate Programs 38
Chemistry, courses in 90
Civil Engineering, courses in 101
Classics, courses in 91
Classroom Conduct 32
College Cornerstone Program
Commencement 22
Communications and Journalism, courses in 91
Community and Regional Planning, courses in 92
Community Education 9
Computer Science, Associate Degree 55, 56
Computer Science, Certificate 68

Computer Science, courses in 92
Computer Technology, courses in 94
Concurrent Enrollment 11
Confidentiality of Student Records 23
Cooperative Education 22, 82
Cooperative Education Program, courses in 96
Core Curriculum 20
Course Descriptions 84
Course Numbering 28
Credit Hours 28
Curriculum Coordinators 7

D

Dance 123
Dance, courses in 123
Degrees and Certificates 38
Digital Media Arts, Associate Degree 57, 58
Digital Media Arts, courses in 97
Digital Media Arts Certificate 69
Disciplinary Matters 32
Drafting Technology, courses in 98
Dual Enrollment 10, 11

E

Early Child Care Certificate 82
Early Childhood Multicultural Education, Associate Degree 41
Early Childhood Multicultural Education, Certificate 70
Early Childhood Multicultural Education, courses in 98
Earth and Planetary Science, courses in 99
Economics, courses in 99
Education 13
Educational Programs 5
Electro Mechanical Technology, Associate Degree 58
Electro Mechanical Technology, Certificate 69
Electro Mechanical Technology, courses in 100
Elementary Education, Certificate 71
Emergency Medicine, courses in 100
Employability Certificates 79
Engineering, courses in 101
English, courses in 103
Enrollment 27
Environmental Science, Associate Degree 48, 49
Environmental Science, Certificate 48, 49
Environmental Science, courses in 102
Extended University 125

F

Facilities 7
Financial Accounting, Certificate 66
Financial Aid 33
Fine Arts, courses in 105
Foreign Languages & Literatures, courses in 105
French, courses in 105
Freshmen 10

G

GAME, courses in 106
General Information 5
General Studies, Associate Degree 59
General Studies, courses in 107
Geography, courses in 107
Governing Bodies 127
Grades 28
Graduate Programs 125
Graduation Requirements 20, 21
Graphic Designer Employability Certificate 81

H

History, courses in 107
History of UNM-Los Alamos 6
Housing 8

I

Incomplete Grade 31
Information Technology, courses in 108
International Students 17, 18
Internships 82
Introductory Studies, courses in 110

J

Journalism, courses in 91

L

Liberal Arts, Associate Degree
87-127 26
Library 8
Linguistics, courses in 111
Location 7
Lower Division Course Descriptions 84

M

Management, courses in 111
Management Employability Certificate 80
Map of the UNM-LA Campus 133
Materials Science Technology, Certificate 72
Materials Science Technology, courses in 112
Mathematics, courses in 113
Mechanical Technology, courses in 115
Media Arts, courses in 115
Military Credit 14
Mission of UNM-Los Alamos 5
Music, courses in 115
Music Education, courses in 116

N

Native American Studies, courses in 116
Natural Science, courses in 117
Network Administration 73

Network Administration, Certificate 60
Network Administration - Unix Track, Associate Degree
60
Non-Degree Credit Program 15, 16
Nutrition, courses in 117

O

Office Administration Employability Certificate 80
Office Communications and Technology, Associate Degree
62
Office Communications and Technology, Certificate 74
Operating Agreement and Funding 6
Organizational Learning and Instructional Technologies,
courses in 117
Orientation 36

P

Paralegal Training 83
Philosophy, courses in 117
Photoshop Specialist Employability Certificate 81
Physical Education, courses in 118
Physics, courses in 119
Planning, courses in 92
Policies 3
Political Science, courses in 120
Pre-Business Administration, Associate Degree 43
Pre-Engineering, Associate Degree 50
Pre-Professional Certificate in Elementary Education 71
Pre-Professional Elementary Education, Associate Degree
44
Pre-Professional Secondary Education. **See** Pre-Professional
Primary Education
Probation and Suspension Policy 33
Project Management Training 83
Psychology, courses in 120

R

Readmitted Students 15
Records 23
Regents of the University 127
Registration Procedures 26
Religious Studies, courses in 121
Residency for Tuition Purposes 25
Role and Function of UNM Branch Colleges 5
Russian, courses in 105

S

Science, Associate Degree 51, 52, 53, 54
Signed Language, courses in 106
Small Business Development Center 9
Social Security Numbers 23
Sociology, courses in 121
Southwest Studies, Associate Degree 45
Southwest Studies, Certificate 75
Spanish, courses in 106, 122

Specialized Training for Workforce Support 82
 Staff 127
 Statistics, courses in 115, 122
 Student Organizations 36
 Student Records 23
 Student Services Information 23, 24, 25, 26, 27, 28, 29,
 30, 31, 32, 33, 34, 35, 36, 37, 38
 Studio Art, Associate Degree 47
 Studio Art, Certificate 76

T

Table of Contents 1
 Technical Support, Associate Degree 63
 Technical Support, Certificate 77
 Theatre, courses in 123
 Transferring Students 12, 13, 14
 Tuition and Fees 27

U

Undergraduate Admissions 10
 University Honors, courses in 123

UNIX/Linux System Administration Employability Certificate 79

W

Web Designer Employability Certificate 82
 Web Developer Employability Certificate 81
 Website 36GenWeb Technologies, Associate Degree
 64
 Web Technologies, Certificate 78
 WICHE 22
 Windows System Administration Employability Certificate
 79
 Withdrawal from the University 28
 Women Studies, courses in 123
 Woodworking, courses in 124
 Workforce Development 79



Map of the UNM-LA Campus

